

Hidro-SPR



Hidrotermal Heavy Duty SPR Series is our response for reliable, strong and high performing pumps into the market. Suitable for large swimming pools and fish farming projects. Reinforced inlet and outlet connections with stainless steel rings.

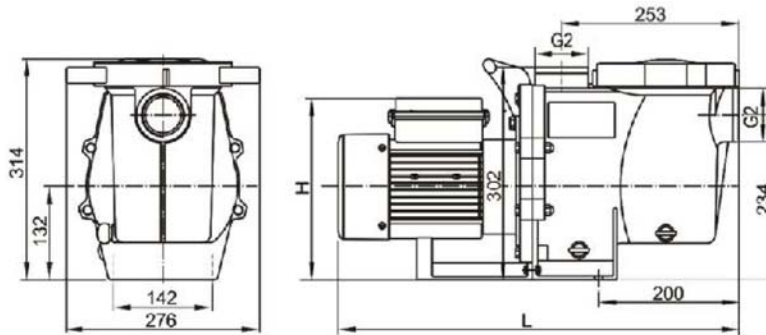
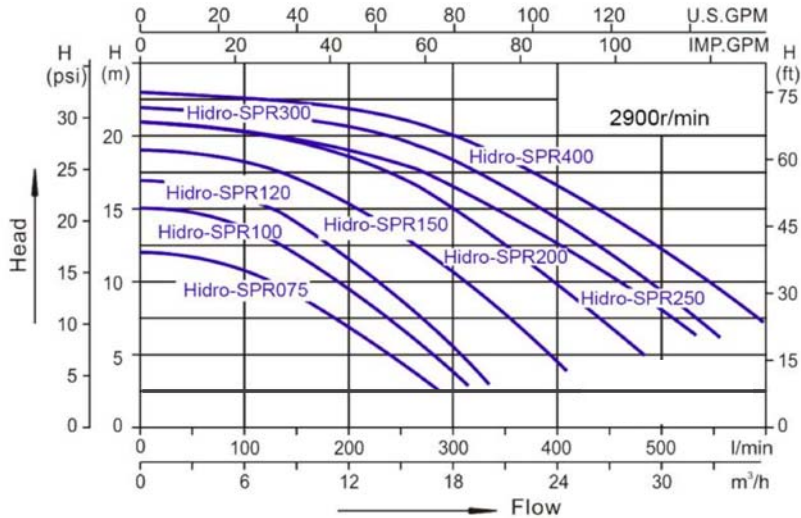
Features

- » Integral and compact structure
- » The wet end is made of high strength engineering plastic.
- » IPX5 Waterproof protection.
- » Overload protection.
- » Insulation class F.
- » Stainless Steel AISI-304 Shaft.
- » TUV and CE certificates available.
- » Low noise level.
- » High quality wear resistant mechanical seal.
- » Complete separation of water and the shaft. It ensures reliability and long life
- » Connections matching: Pentair pumps
- » Integral handle
- » Upgraded and long-lasting performance

Working Conditions

- » Temperature: 5 – 50°C.
- » Environmental Temperature: <40°C.
- » Maximum working pressure: 0,3MPa

Technical data



Model	Q Max (m³/h)	H Max (m)	V/HZ	Input Power (P1)			Dimensions		Connection Size
				kW	HP	Amps	L	H	
Hidro-SPR075	17	12	220/50	0.55	0.75	3.2	572	243	2" / 60.3mm or 63mm
Hidro-SPR100	19	15		0.75	1	3.8	572	243	
Hidro-SPR120	20	17		0.90	1.2	4.6	572	243	
Hidro-SPR150	24	19		1.1	1.5	5.4	572	243	
Hidro-SPR200	29	21		1.5	2	7	572	246	
Hidro-SPR250	32	21		1.85	2.5	8.6	572	258	
Hidro-SPR300	33	22		2.2	3	10	585	258	
Hidro-SPR400	36	23		3	4	12	582	270	

*220V/60Hz, 380V/50Hz Single or Three Phase models are available on request.

*Sizes are in mm.