

SUBMERSIBLE
CUTTER PUMP

EC

SERIES 60HZ-SI



EC SERIES SUBMERSIBLE CUTTER PUMP

60 HZ

POWER: 0.5~7.5HP (0.37~5.5kW)

MAX HEAD: 37.8 meter

MAX FLOW: 1010 lpm



**50EC-6.05~10
THREAD TYPE**

**50(80)EC-6.10
ELBOW TYPE**



**50(80)EC-6.20~30
ELBOW TYPE**

**80(100)EC-6.50~75
ELBOW TYPE**

PRODUCT NOMENCLATURE

Example: $\frac{50}{1} \frac{EC}{2} - \frac{6.05}{3} \frac{S}{4}$

- 1) Discharge Size
- 2) Model
- 3) Frequency & HP
- 4) Phase (1Ø / 3Ø)

Feature

- Tungsten inserts incorporated on the impeller blades to provide shredding action
- Reliable shaft sealing provided by EKK Eagle Burgmann double mechanical seal
- Automatic operation (Optional)

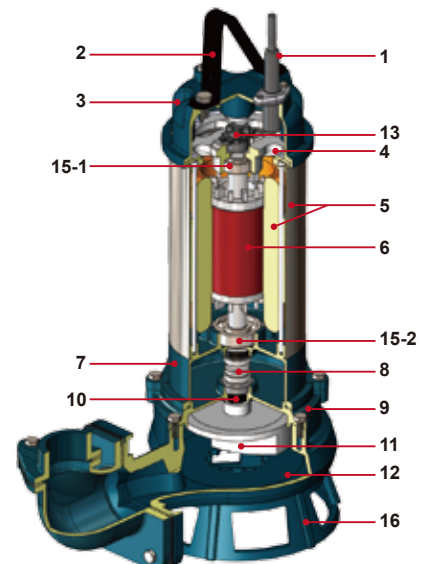
Application

- Drainage of sewage from building and school basement etc.
- Septic tank and cesspit
- Wastewater treatment
- Ground water drainage

Parts and Material List

No.	Part	Material
1	Cable	H07RN-F/SJTOW/STOW
2	Handle	Nylon 6/ASTM A36
3	Motor Cover	Nylon 66/EN-GJL-200
4	Bracket	EN-GJL-200
5	Motor Housing + Stator	AISI 304
6	Shaft with Rotor	AISI 410
7	Oil Chamber	EN-GJL-200
8	Mechanical Seal	Upper: CA/CE Lower: SIC/SIC
9	Seal Housing	Nylon / EN-GJL-200
10	Lip Seal	NBR
11	Impeller	EN-GJS-450+Tungsten edge
12	Pump Casing	EN-GJL-200
13	Protector	KLIXON
15-1	Upper Bearing	NTN/TPI
15-2	Lower Bearing	NTN/TPI
16	Bottom Base	EN-GJS-450

TPI is a family brand of NTN group.



Specifications



50EC-6.05~10
THREAD TYPE



Cutter Impeller
(Tungsten Edge)

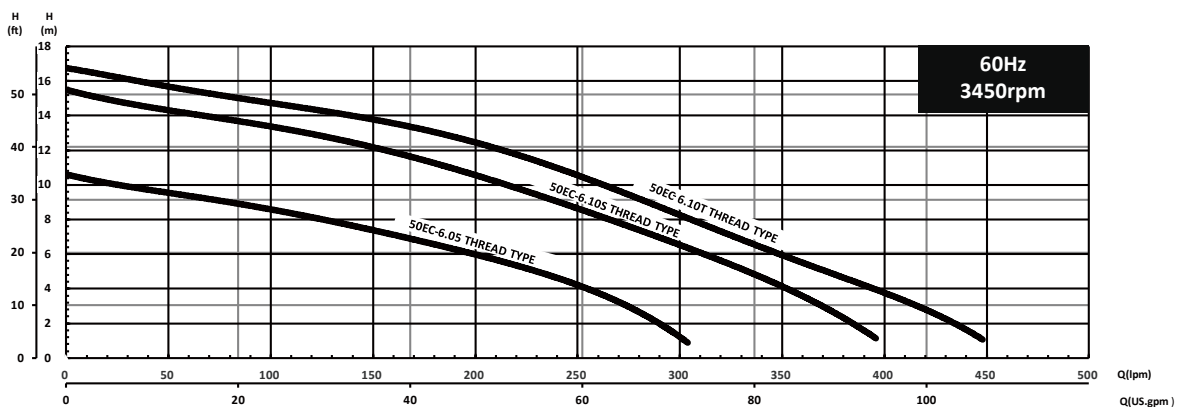
ITEM		DESCRIPTION
LIMITS OF USE	Liquid Temp.	0~40°C(32~104°F)
	Application	As suggested application page 1
TYPE	Frequency	60Hz
	Motor	2P (3450RPM) . Dry Motor
	Insulation	Class B
	Protection	IP 68
	Protector	Auto-Cut
	Bearing	Ball Type
	Mech. Seal	Double Mechanical Seal
	Impeller	Semi-Open
MATERIAL	Motor Cover	Nylon 66/EN-GJL-200
	Motor Housing + Stator	AlSI 304
	Shaft with Rotor	AlSI 410
	Mech. Seal	Upper : CA / CE ; Lower : SIC / SIC
	Pump Casing	EN-GJL-200
	Impeller	EN-GJS-450+Tungsten edge
	Cable	H07RN-F / SJTOW / STOW

Data Chart

MODEL	OUTPUT		DISCHARGE Inch	PHASE VOLTAGE	1Ø						RATED		MAXIMUM		FREE PASSAGE	WEIGHT W/O CABLE	Q.D.C
	HP	kW			110V	115V	127V	208V	220V	230V	m	lpm	m	lpm	mm	1Ø-kg	
50EC-6.05S THREAD TYPE	0.5	0.37	2"	FULL LOAD	8.4A	8.0A	7.2A	4.4A	4.2A	4.0A	6	198	10.6	304	19	12.8	-
50EC-6.10S THREAD TYPE	1	0.75	2"	AMPERAGE	12.6A	12.0A	10.9A	6.6A	6.3A	6.0A	8	265	15.5	396	19	18.5	-

MODEL	OUTPUT		DISCHARGE Inch	PHASE VOLTAGE	3Ø						RATED		MAXIMUM		FREE PASSAGE	WEIGHT W/O CABLE	Q.D.C
	HP	kW			208V	220V	230V	380V	460V	575V	m	lpm	m	lpm	mm	3Ø-kg	
50EC-6.05T THREAD TYPE	0.5	0.37	2"	FULL LOAD	3.1A	3.0A	2.8A	1.7A	1.4A	1.2A	6	198	10.6	304	19	12.5	-
50EC-6.10T THREAD TYPE	1	0.75	2"	AMPERAGE	4.4A	4.2A	4.0A	2.4A	2.0A	1.6A	8	303	16.8	448	19	18.2	-

Performance Curve



MODEL	OUTPUT		DISCHARGE Inch	Q(lpm)						Q(US.gpm)					
	HP	kW			0	100	150	200	250		0	20	40	60	80
50EC-6.05 THREAD TYPE	0.5	0.37	2"	H(m)	10.6	8.5	7.4	6.0	4.3	H(ft)	34.8	30.0	24.0	17.0	3.5
50EC-6.10S THREAD TYPE	1	0.75	2"	H(m)	15.5	13.4	12.2	10.6	8.7	H(ft)	50.9	45.5	40.0	31.5	21.0
50EC-6.10T THREAD TYPE	1	0.75	2"	H(m)	16.8	14.8	13.8	12.5	10.6	H(ft)	55.1	29.5	22.5	13.5	22.0

All technical information is subject to change without notice.

Specifications



50(80)EC-6.10
ELBOW TYPE



Cutter Impeller
(Tungsten Edge)



50(80)EC-6.20~30
ELBOW TYPE



80(100)EC-6.50~75
ELBOW TYPE

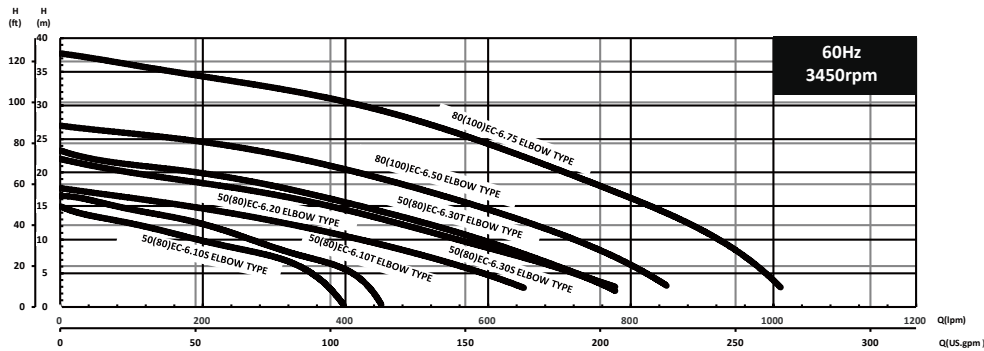
ITEM		DESCRIPTION
LIMITS OF USE	Liquid Temp.	0~40°C(32~104°F)
	Application	As suggested application page 1
TYPE	Frequency	60Hz
	Motor	2P (3450RPM) . Dry Motor
	Insulation	Class B
	Protection	IP 68
	Protector	Auto-Cut
	Bearing	Ball Type
	Mech. Seal	Double Mechanical Seal
	Impeller	Semi-Open
MATERIAL	Motor Cover	Nylon 66/EN-GJL-200
	Motor Housing + Stator	AlSI 304
	Shaft with Rotor	AlSI 410
	Mech. Seal	Upper : CA / CE ; Lower : SIC / SIC
	Pump Casing	EN-GJL-200
	Impeller	EN-GJS-450+Tungsten edge
	Cable	H07RN-F / SJTOW / STOW

Data Chart

MODEL	OUTPUT		DISCHARGE Inch	PHASE VOLTAGE	I Ø					RATED		MAXIMUM		FREE PASSAGE mm	WEIGHT W/O CABLE 1Ø-kg	Q.D.C	
	HP	KW			110V	115V	127V	208V	220V	230V	m	lpm	m				lpm
50(80)EC-6.10S ELBOW TYPE	1	0.75	2"(3")	FULL LOAD AMPERAGE	12.6A	12.0A	10.9A	6.6A	6.3A	6.0A	8	284	15	396	19	23.5	QM-80
50(80)EC-6.20S ELBOW TYPE	2	1.5	2"(3")		-	-	-	12.2A	11.5A	11.0A	10	416	17.7	650	23	35.8	QM-80
50(80)EC-6.30S ELBOW TYPE	3	2.2	2"(3")		-	-	-	15.0A	14.6A	14.0A	13	454	22	778	23	39.9	QM-80

MODEL	OUTPUT		DISCHARGE Inch	PHASE VOLTAGE	3Ø					RATED		MAXIMUM		FREE PASSAGE mm	WEIGHT W/O CABLE 3Ø-kg	Q.D.C	
	HP	KW			208V	220V	230V	380V	460V	575V	m	lpm	m				lpm
50(80)EC-6.10T ELBOW TYPE	1	0.75	2"(3")	FULL LOAD AMPERAGE	4.4A	4.2A	4.0A	2.4A	2.0A	1.6A	8	322	16.5	448	19	23.2	QM-80
50(80)EC-6.20T ELBOW TYPE	2	1.5	2"(3")		6.9A	6.4A	6.2A	3.8A	3.1A	2.5A	10	416	17.7	650	23	35.7	QM-80
50(80)EC-6.30T ELBOW TYPE	3	2.2	2"(3")		10.0A	9.4A	9.0A	5.5A	4.5A	3.6A	13	492	23.2	778	23	36.2	QM-80
80(100)EC-6.50T ELBOW TYPE	5	3.7	3"(4")		16.6A	15.6A	15.0A	9.1A	7.5A	6.0A	18	492	27	850	28	52.2	QM-100
80(100)EC-6.75T ELBOW TYPE	7.5	5.5	3"(4")		23.2A	22.0A	21.0A	12.7A	10.5A	8.4A	23	643.5	37.8	1010	28	59.2	QM-100

Performance Curve

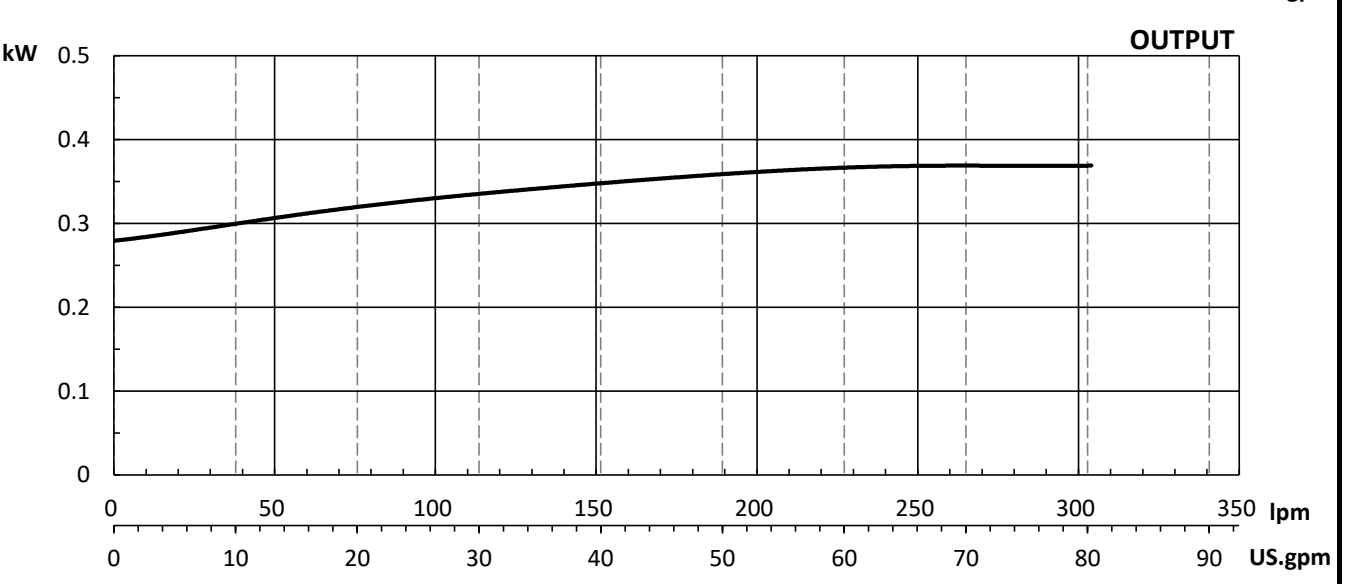
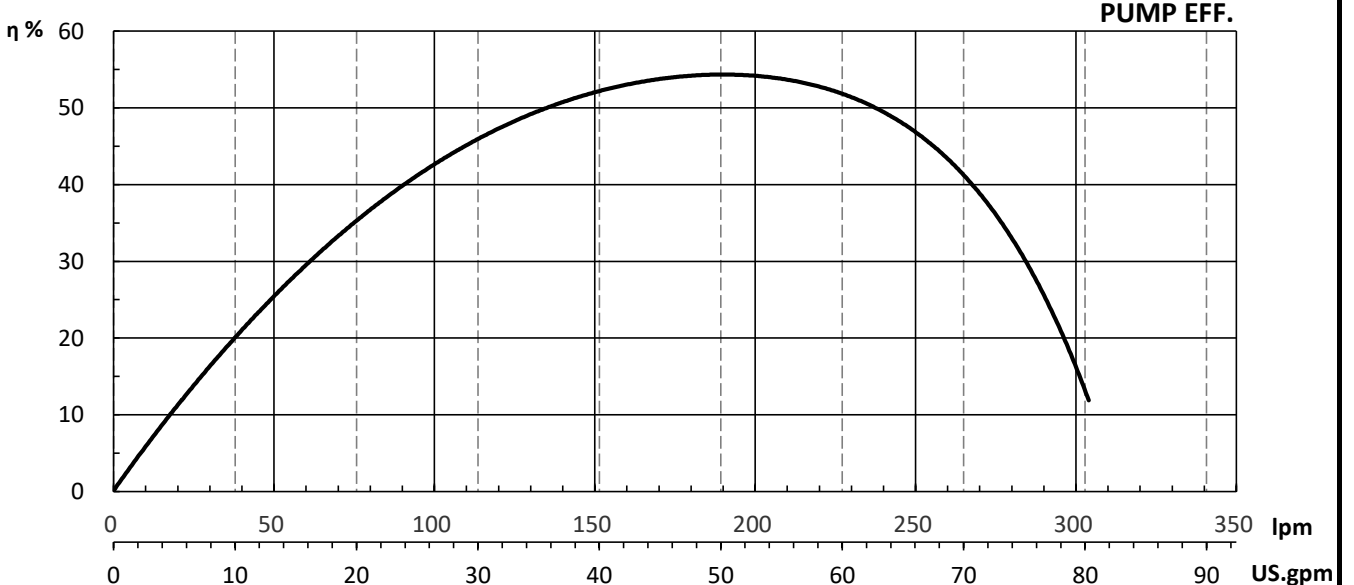
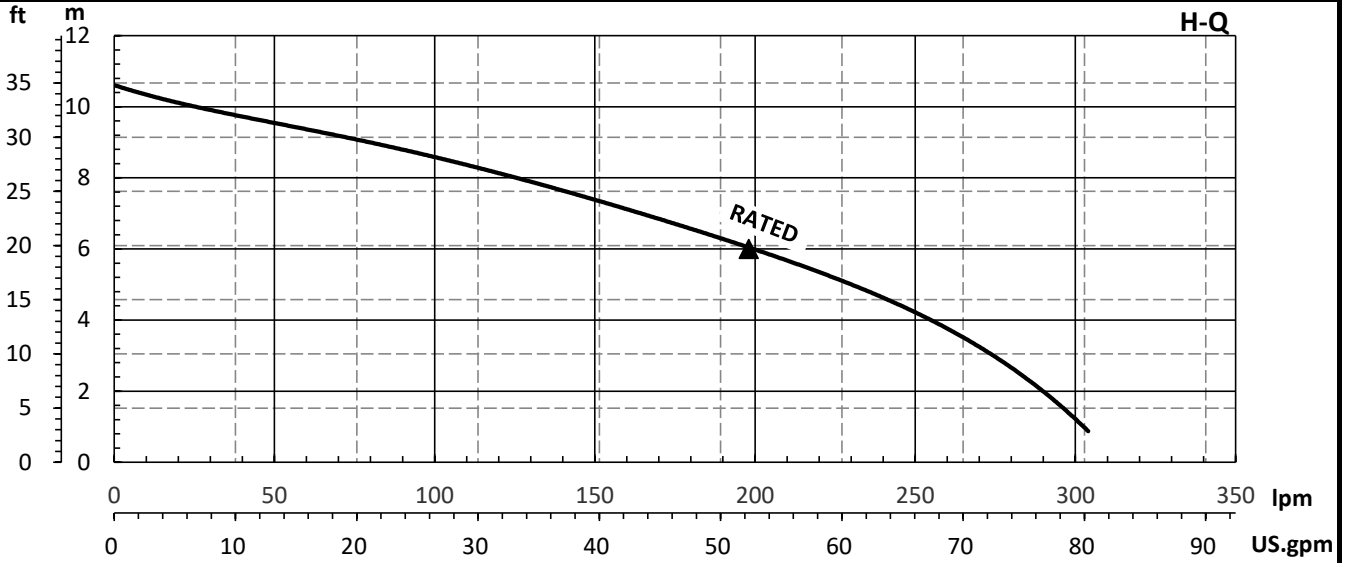


MODEL	OUTPUT		DISCHARGE Inch	Q(lpm)	H(m)					Q(US.gpm)	H(ft)				
	HP	KW			0	200	400	600	800		0	50	100	150	200
50(80)EC-6.10S ELBOW TYPE	1	0.75	2"(3")	H(m)	15.0	9.8	-	-	-	H(ft)	49.2	33.0	9.5	-	-
50(80)EC-6.10T ELBOW TYPE	1	0.75	2"(3")		16.5	12.4	5.7	-	-		54.1	42.0	21.5	-	-
50(80)EC-6.20 ELBOW TYPE	2	1.5	2"(3")		17.8	14.7	10.4	4.6	-		58.4	49.0	36.0	19.5	-
50(80)EC-6.30S ELBOW TYPE	3	2.2	2"(3")		22.0	18.5	14.3	8.8	-		72.2	61.5	49.5	32.0	11.0
50(80)EC-6.30T ELBOW TYPE	3	2.2	2"(3")		23.2	19.9	15.6	9.7	-		76.1	66.0	53.0	35.5	11.0
80(100)EC-6.50 ELBOW TYPE	5	3.7	3"(4")		27.0	24.6	20.5	14.4	6.3		88.6	81.5	69.0	51.0	28.0
80(100)EC-6.75 ELBOW TYPE	7.5	5.5	3"(4")		37.9	34.3	30.6	24.3	16.2		124.3	113.5	102.5	83.5	59.5

All technical information is subject to change without notice.

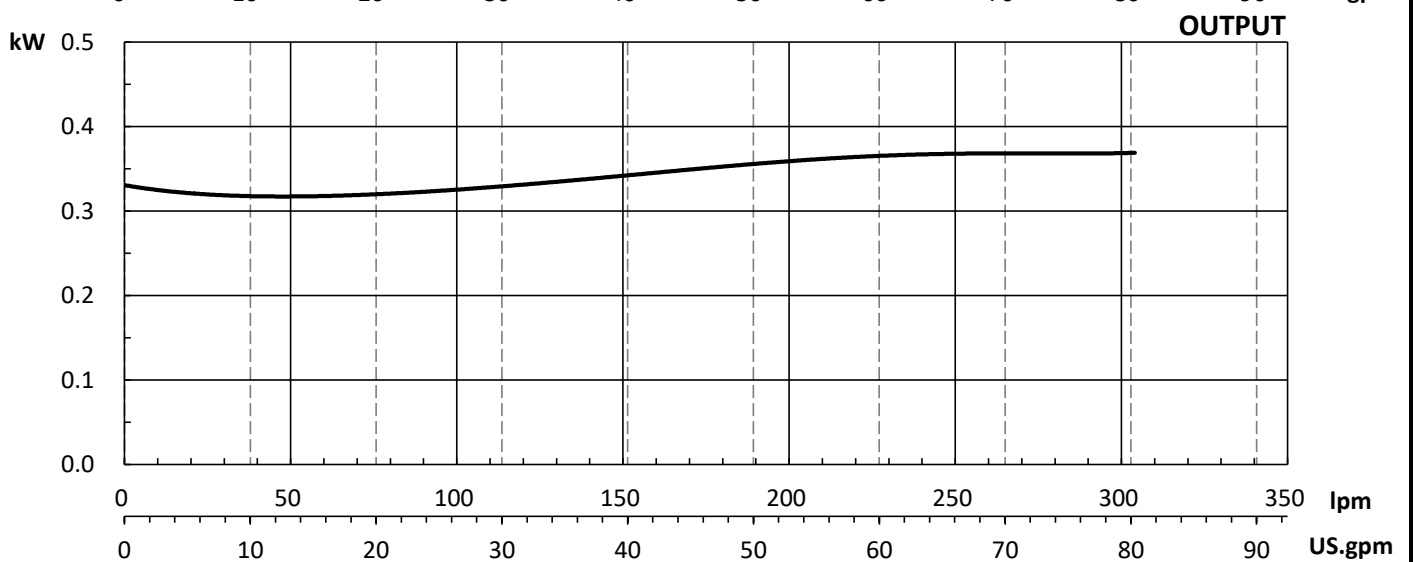
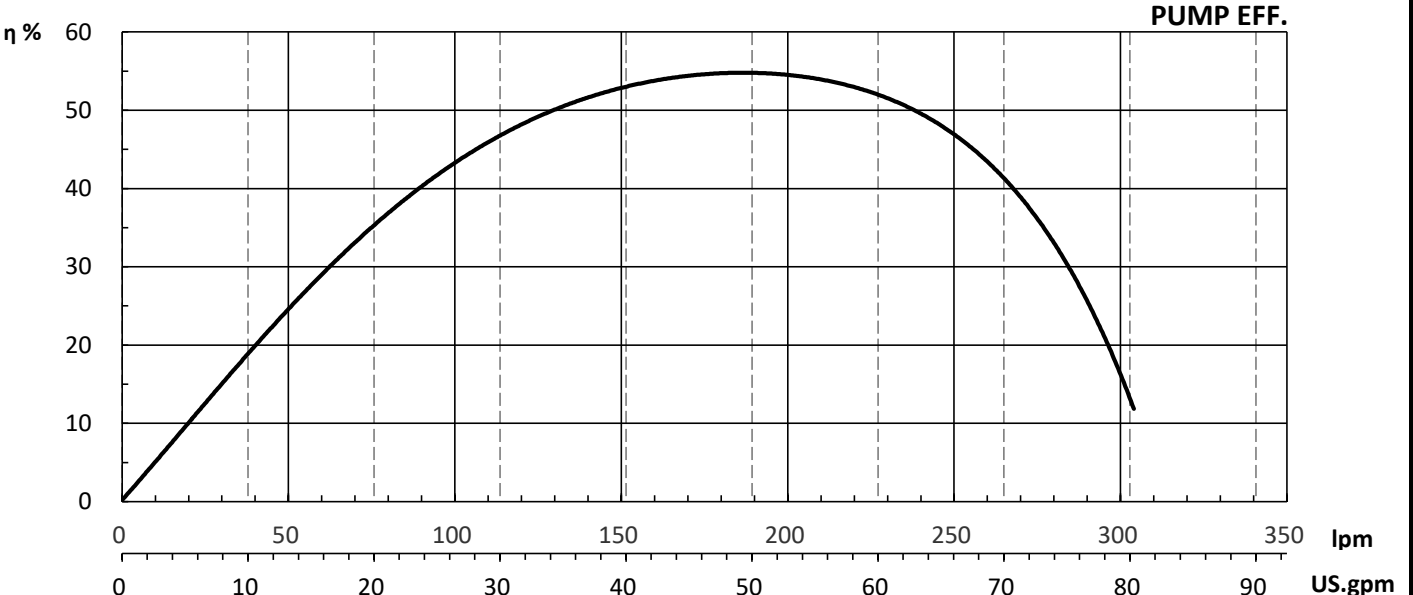
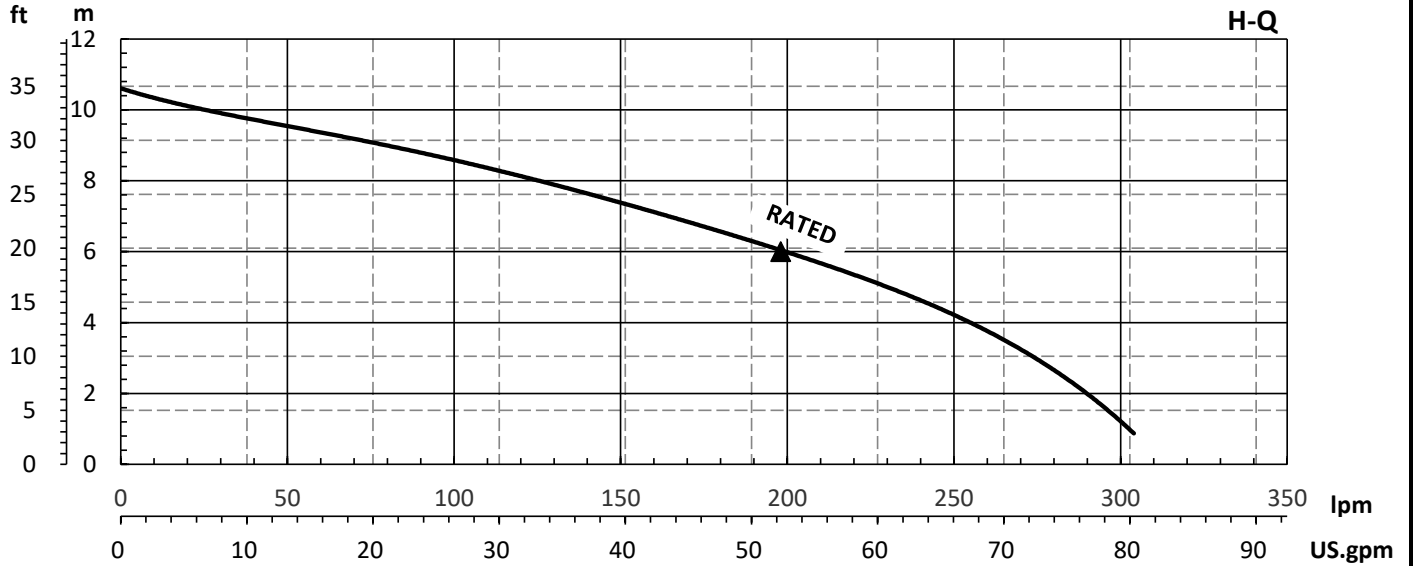
PUMP PERFORMANCE REPORT

MODEL	50EC-6.05S THREAD TYPE								RATED				
FREQUENCY	60 HZ								HEAD	6	m	19.7	ft
DISCHARGE	2 Inch / 50 mm								CAPACITY	198	lpm	52.5	gpm
OUTPUT	0.5 HP / 0.37 kW								POLE / RPM	2P / 3450		RPM	
PHASE/VOLTAGE	1∅	110V	115V	120V	127V	208V	220V	230V	START METHOD	CAPACITOR START			
F.L.A.	A	8.4	8	7.6	7.2	4.4	4.2	4	INSULATION CLASS	B		CLASS	



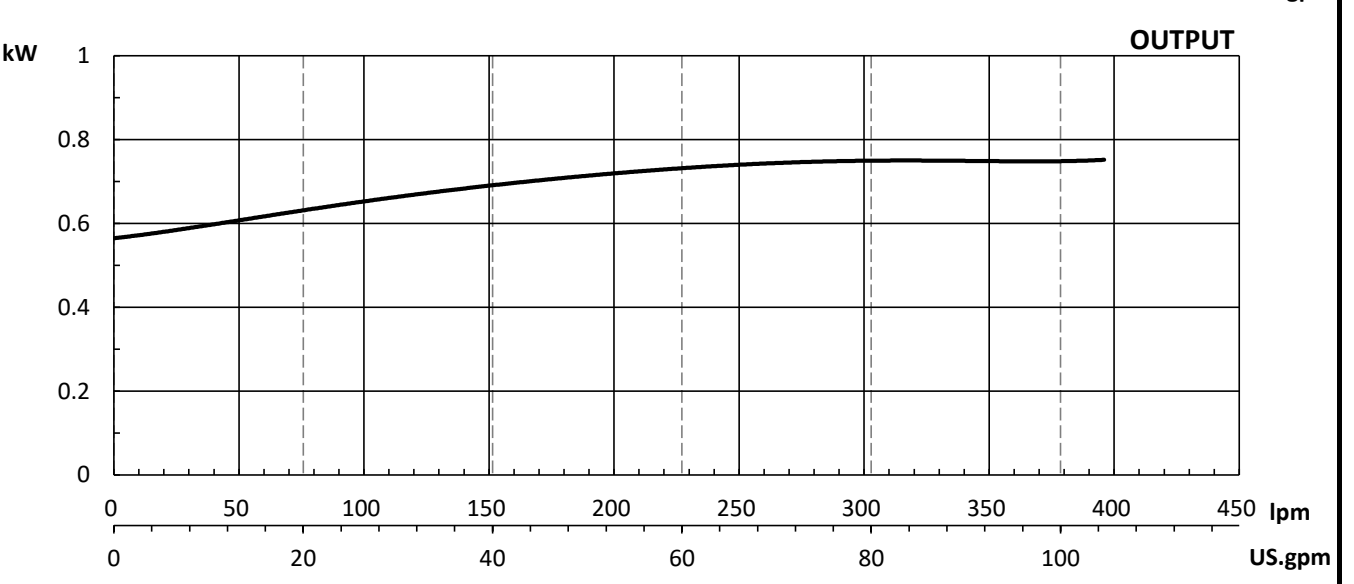
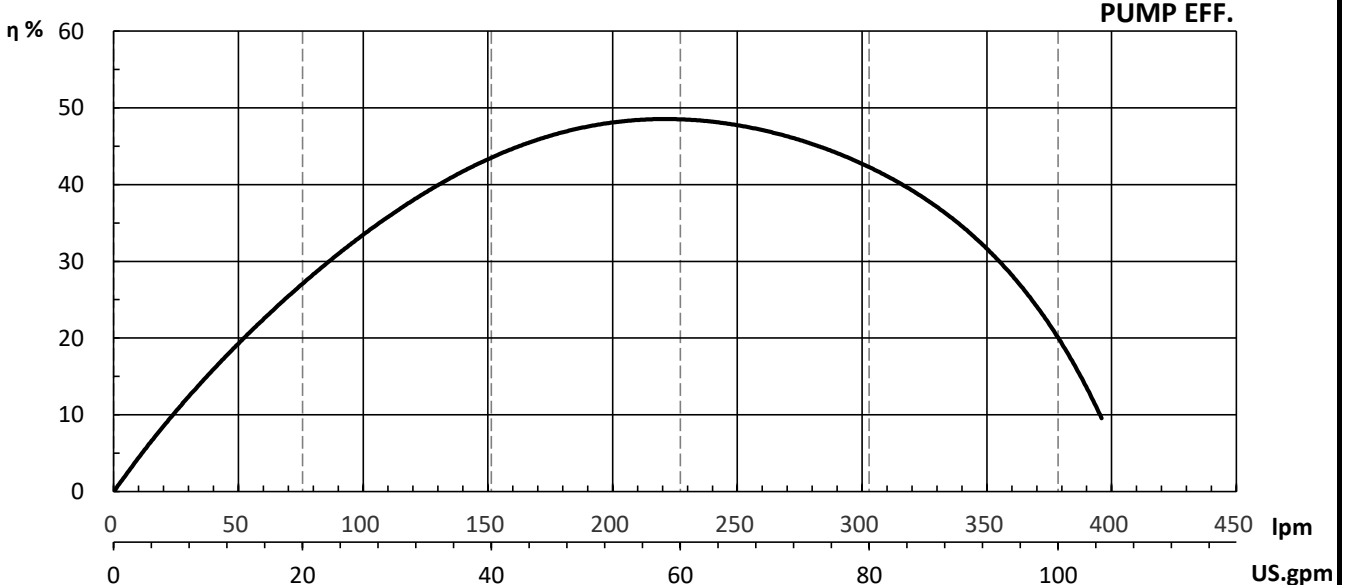
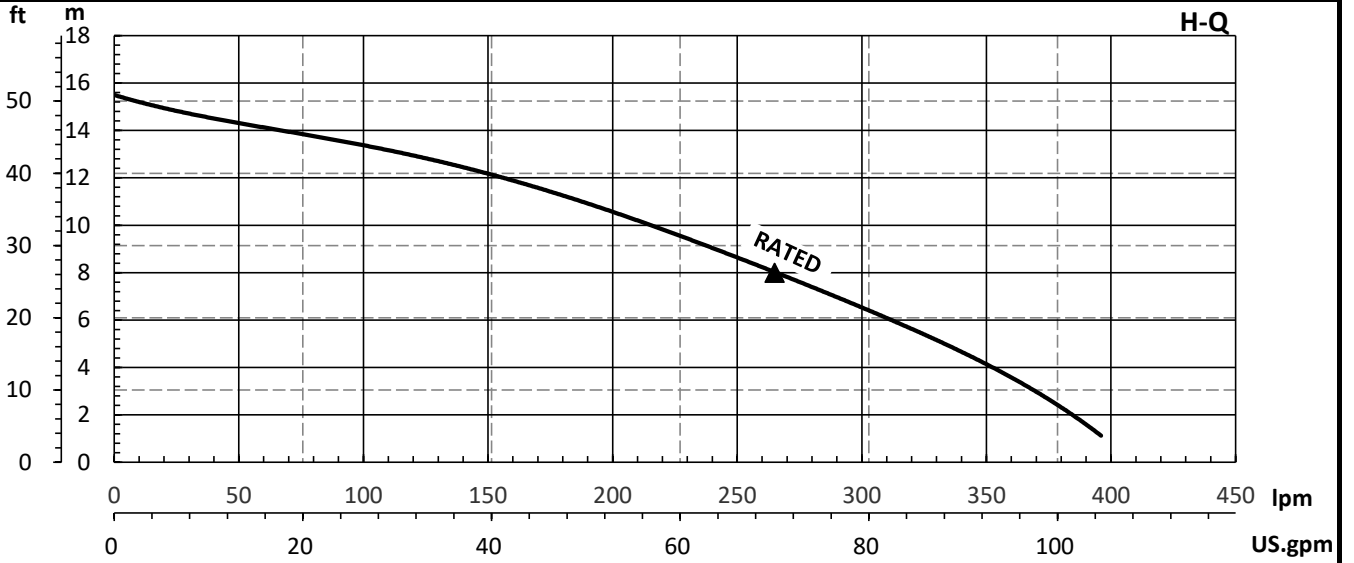
PUMP PERFORMANCE REPORT

MODEL	50EC-6.05T THREAD TYPE										RATED				
FREQUENCY	60 HZ										HEAD	6	m	19.7	ft
DISCHARGE	2 Inch / 50 mm										CAPACITY	198	lpm	52.5	gpm
OUTPUT	0.5 HP / 0.37 kW										POLE / RPM	2P / 3450 RPM			
PHASE/VOLTAGE	3 ϕ	208V	220V	230V	380V	400V	440V	460V	575V	START METHOD	DIRECT ON LINE				
F.L.A.	A	3.1	3	2.8	1.7	1.6	1.5	1.4	1.2	INSULATION CLASS	B CLASS				



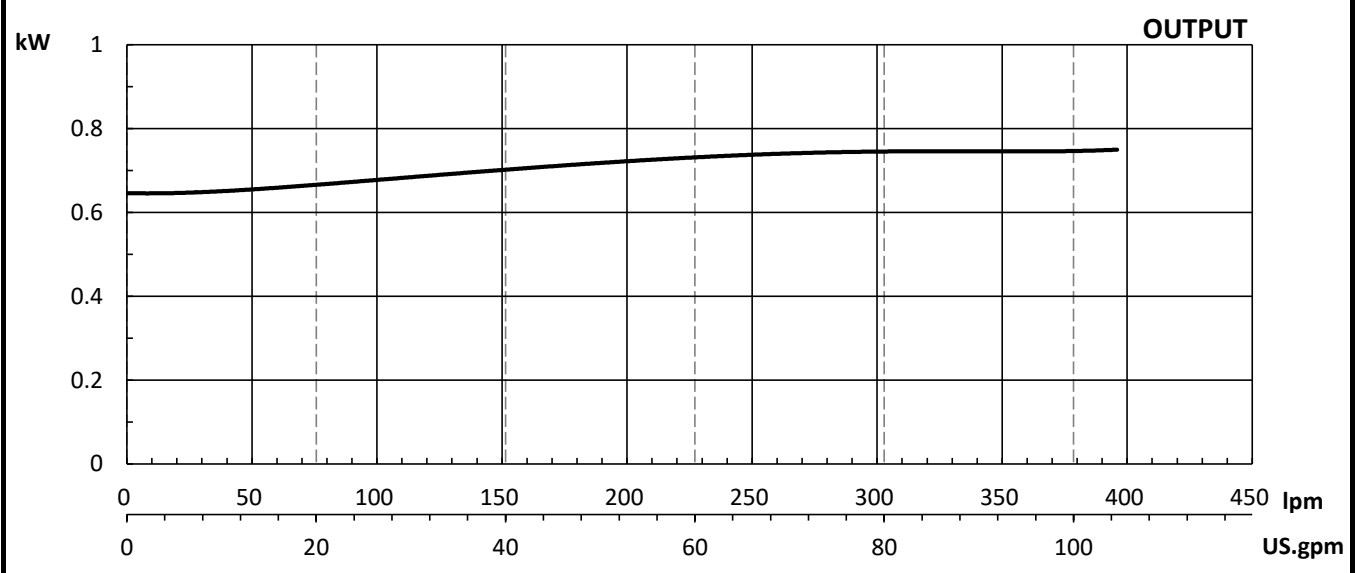
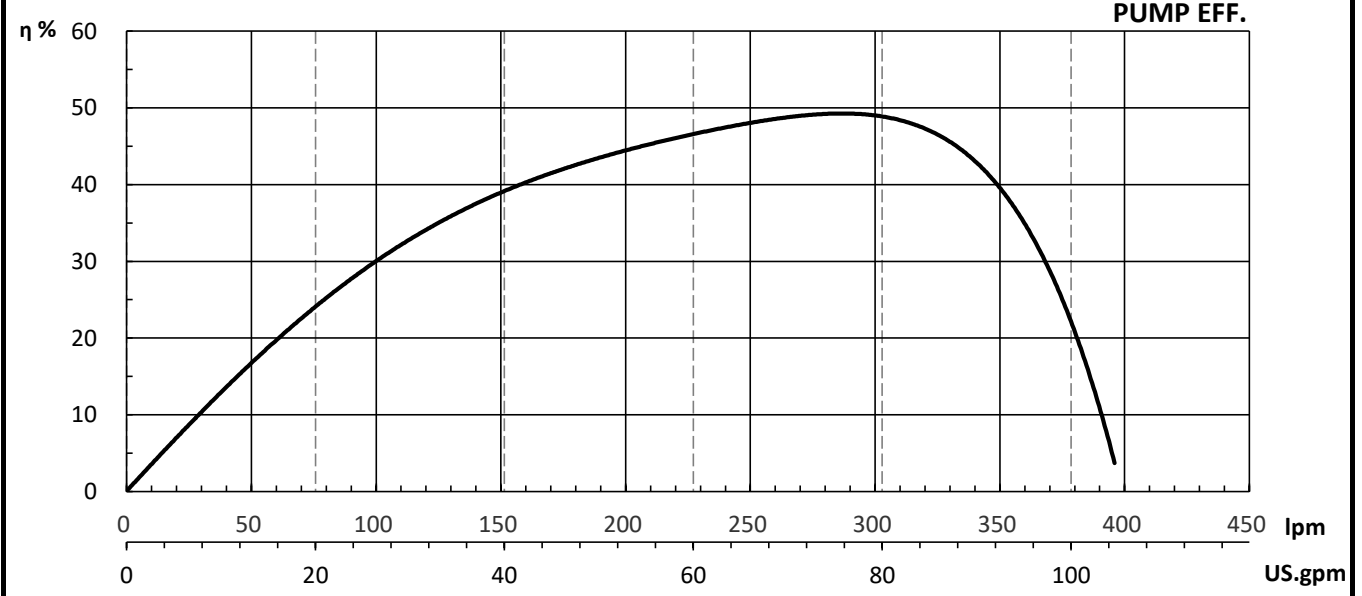
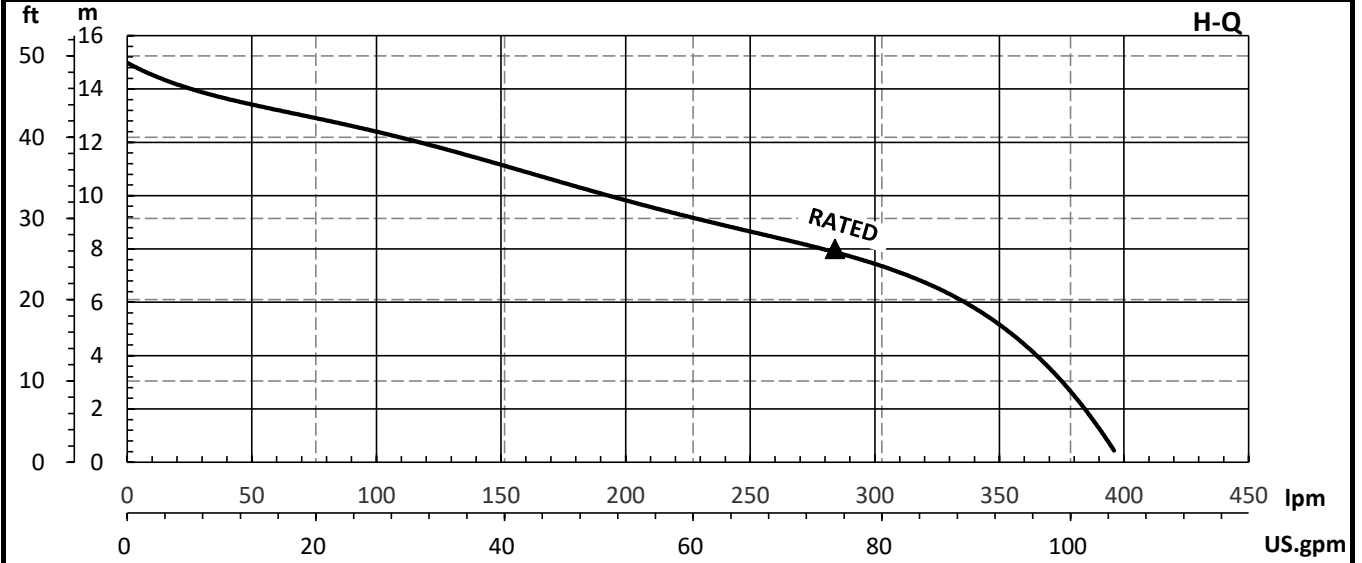
PUMP PERFORMANCE REPORT

MODEL	50EC-6.10S THREAD TYPE								RATED				
FREQUENCY	60 HZ								HEAD	8	m	26	ft
DISCHARGE	2 Inch / 50 mm								CAPACITY	265	lpm	70	gpm
OUTPUT	1 HP / 0.75 kW								POLE / RPM	2P /		3450	RPM
PHASE/VOLTAGE	1∅	110V	115V	120V	127V	208V	220V	230V	START METHOD	CAPACITOR START			
F.L.A.	A	12.6	12	11.6	10.9	6.6	6.3	6	INSULATION CLASS	B		CLASS	



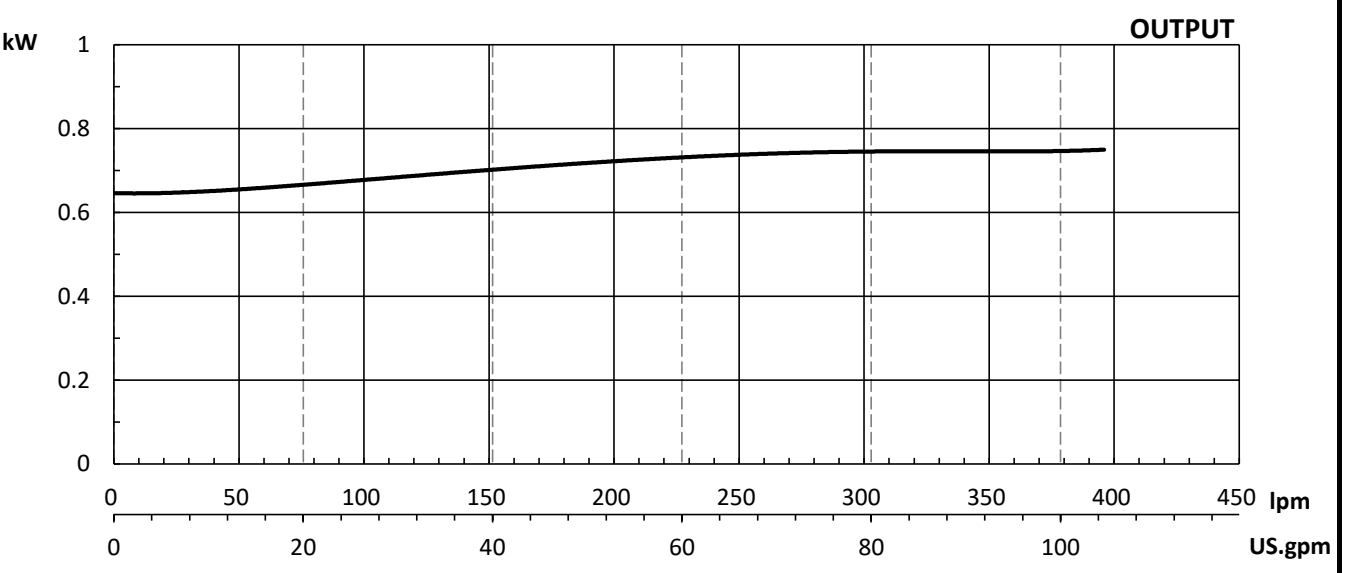
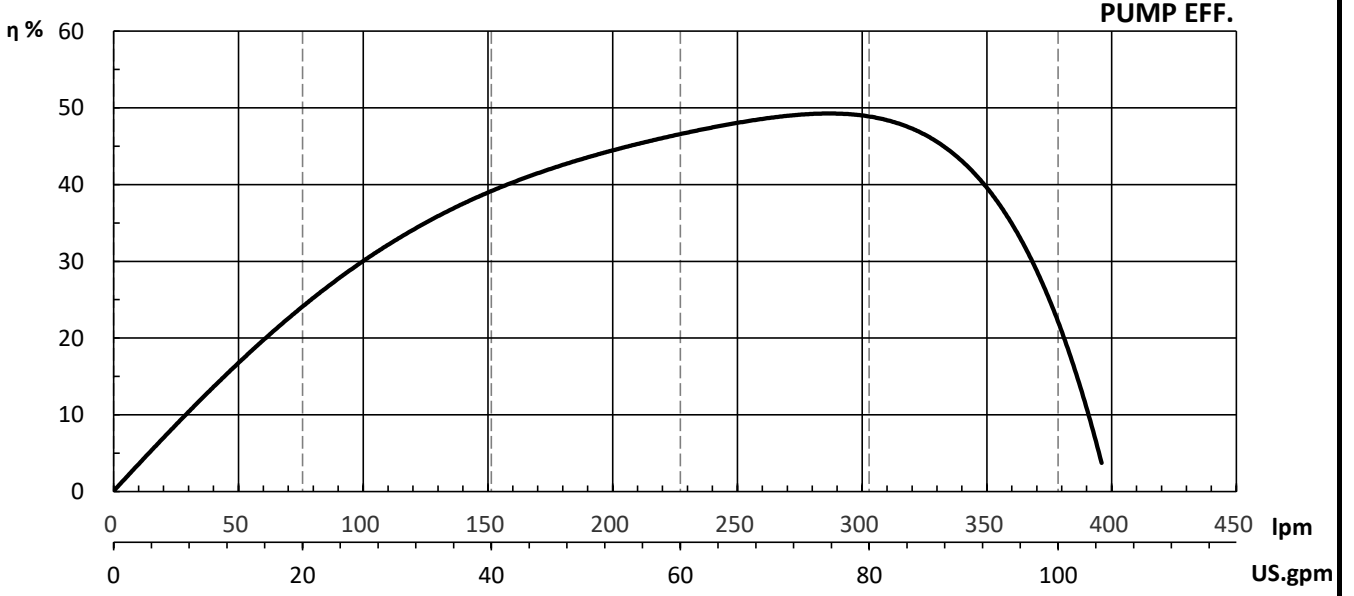
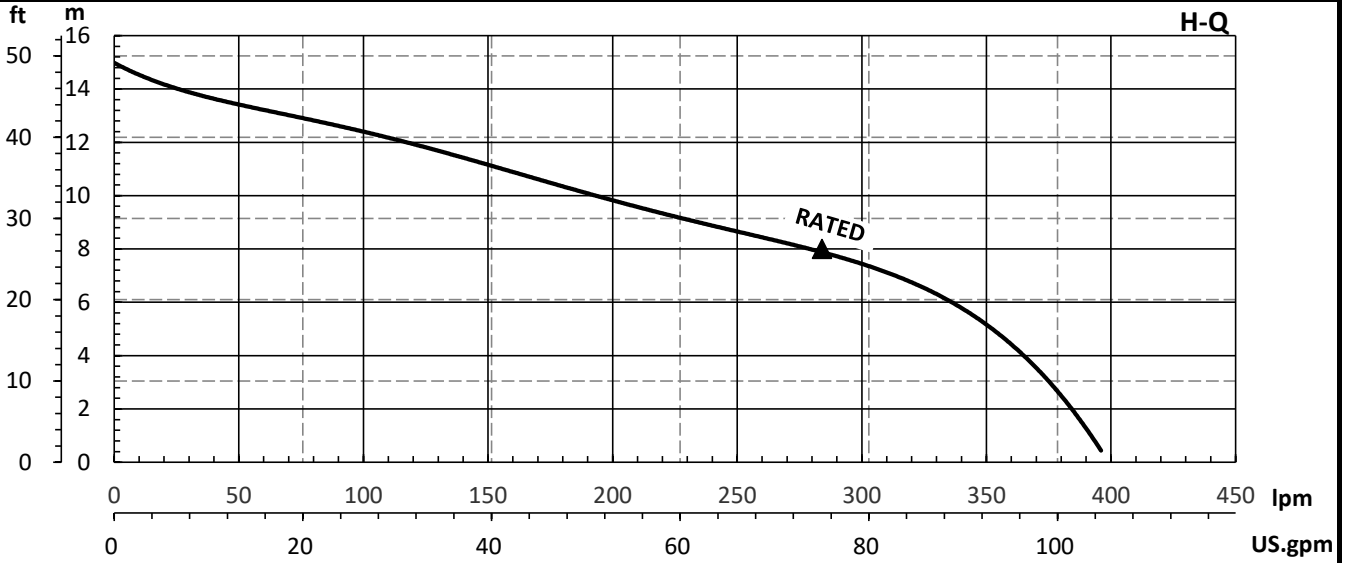
PUMP PERFORMANCE REPORT

MODEL	50EC-6.10S ELBOW TYPE								RATED				
FREQUENCY	60 HZ								HEAD	8	m	26	ft
DISCHARGE	2 Inch / 50 mm								CAPACITY	284	lpm	75	gpm
OUTPUT	1 HP / 0.75 kW								POLE / RPM	2P /		3450	RPM
PHASE/VOLTAGE	1∅	110V	115V	120V	127V	208V	220V	230V	START METHOD	CAPACITOR START			
F.L.A.	A	12.6	12	11.6	10.9	6.6	6.3	6	INSULATION CLASS	B		CLASS	



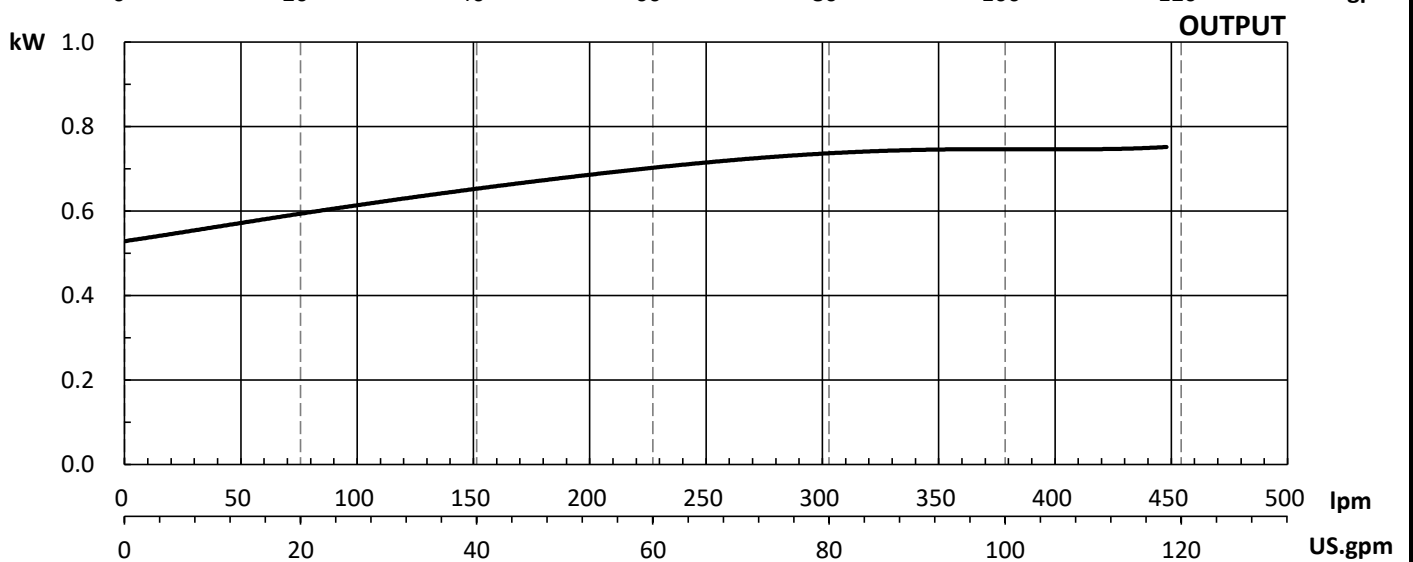
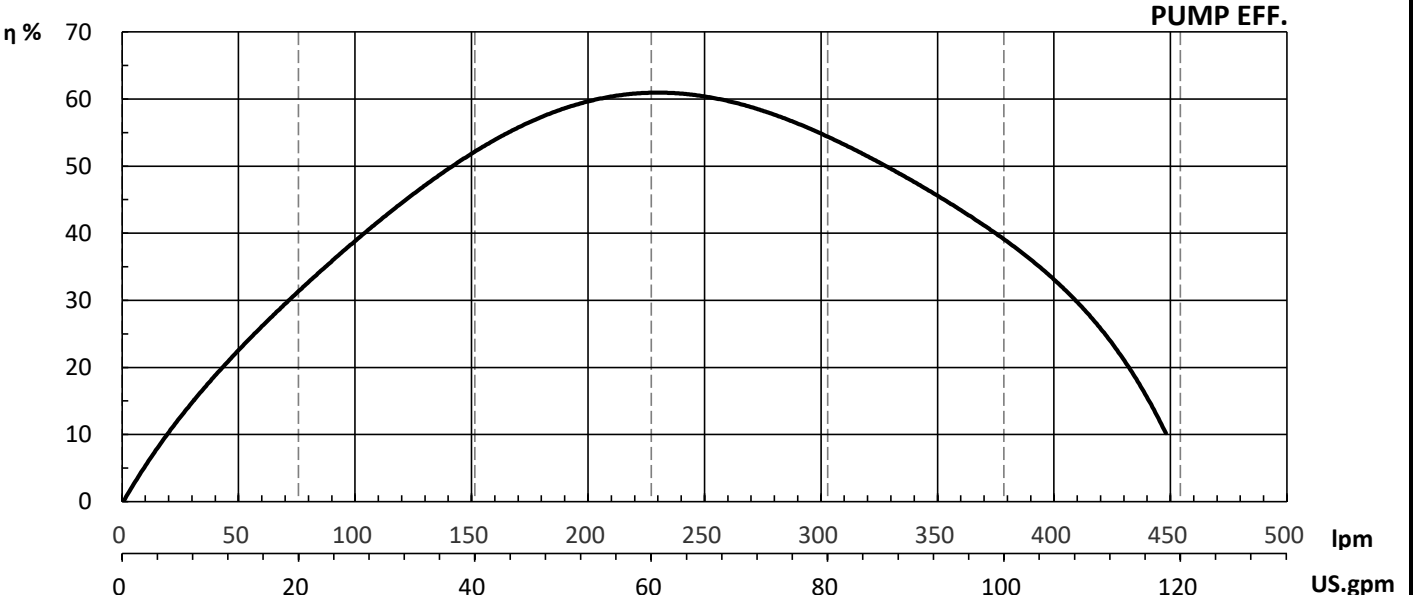
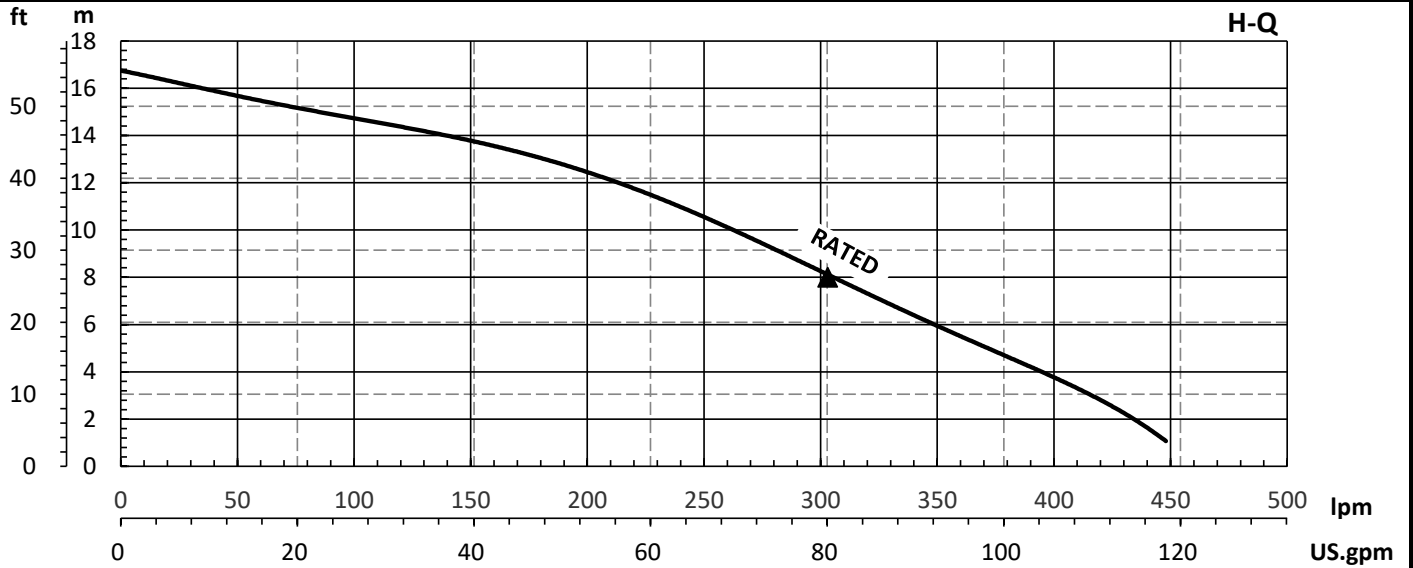
PUMP PERFORMANCE REPORT

MODEL	80EC-6.10S ELBOW TYPE								RATED				
FREQUENCY	60 HZ								HEAD	8	m	26	ft
DISCHARGE	3 Inch / 80 mm								CAPACITY	284	lpm	75	gpm
OUTPUT	1 HP / 0.75 kW								POLE / RPM	2P /		3450	RPM
PHASE/VOLTAGE	1∅	110V	115V	120V	127V	208V	220V	230V	START METHOD	CAPACITOR START			
F.L.A.	A	12.6	12	11.6	10.9	6.6	6.3	6	INSULATION CLASS	B		CLASS	



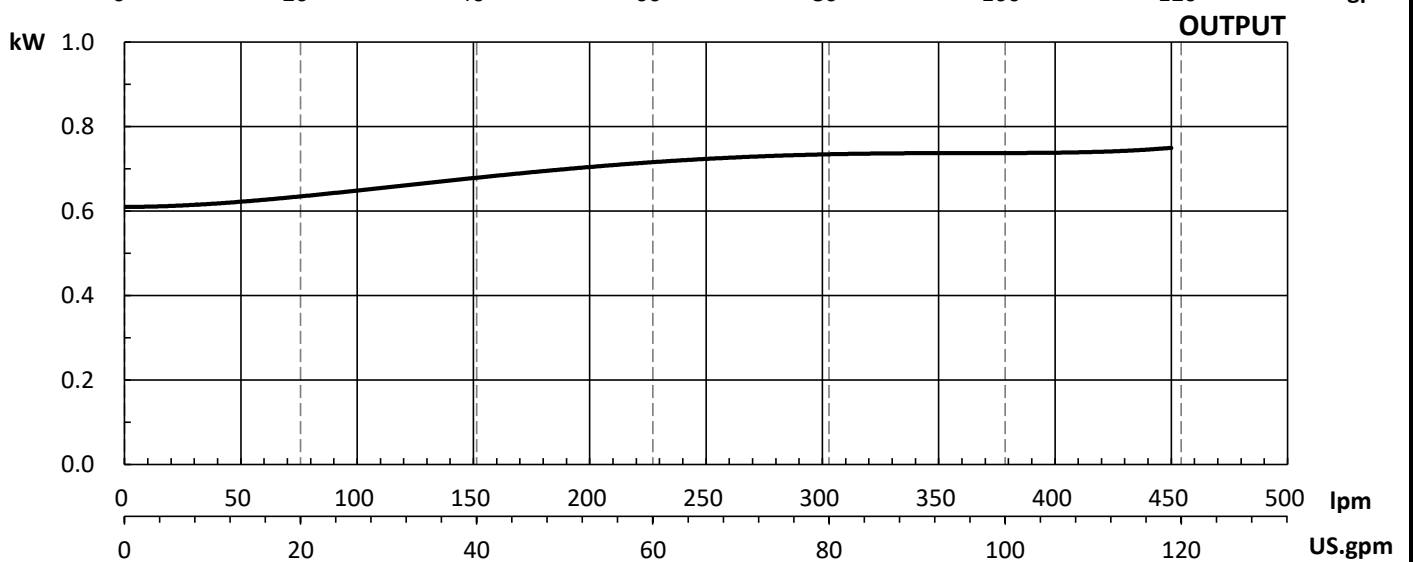
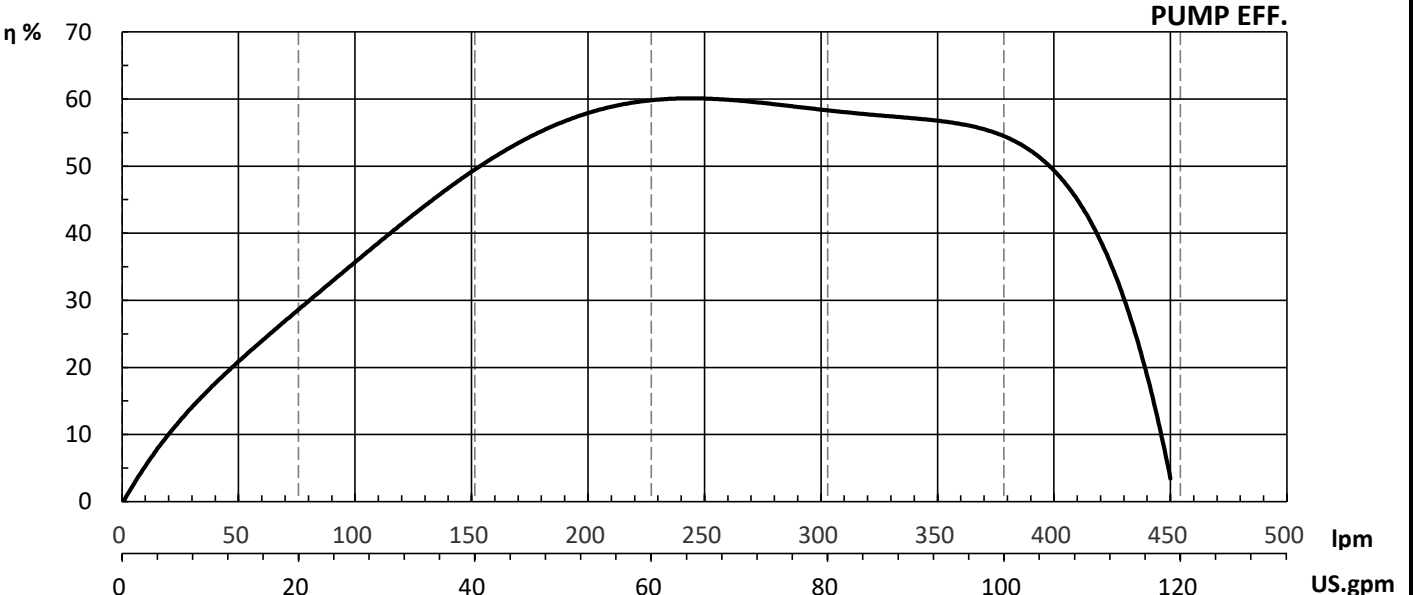
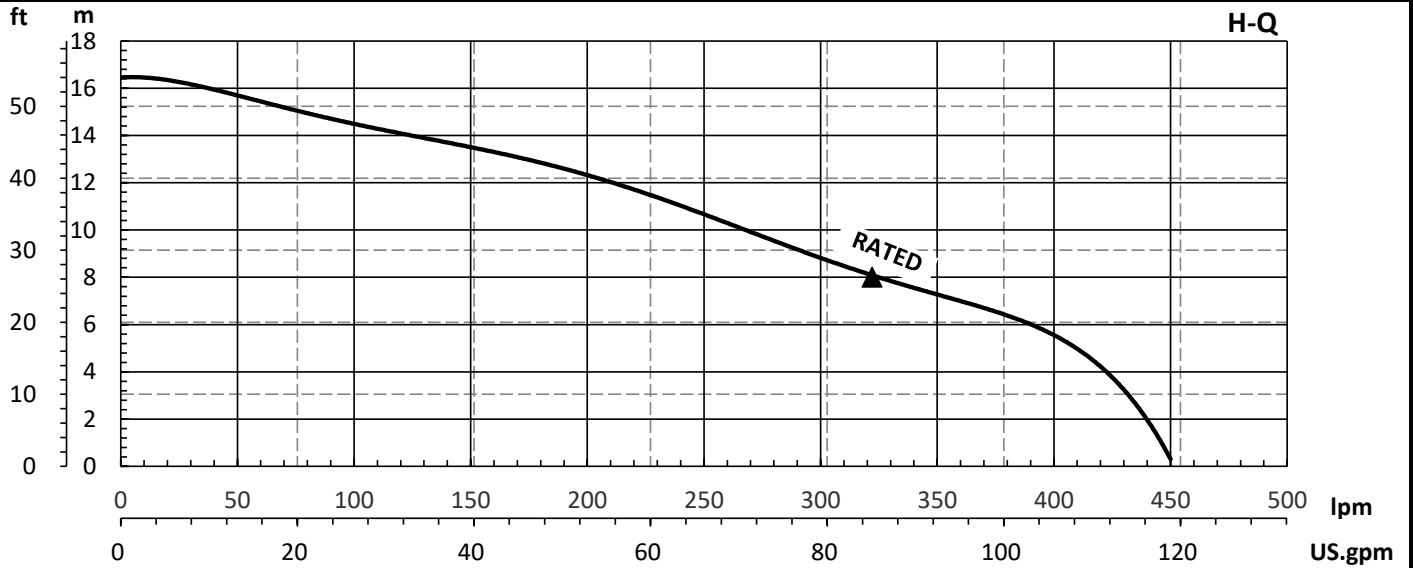
PUMP PERFORMANCE REPORT

MODEL	50EC-6.10T THREAD TYPE										RATED				
FREQUENCY	60 HZ										HEAD	8	m	26	ft
DISCHARGE	2 Inch / 50 mm										CAPACITY	303	lpm	80	gpm
OUTPUT	1 HP / 0.75 kW										POLE / RPM	2P / 3450 RPM			
PHASE/VOLTAGE	3 ϕ	208V	220V	230V	380V	400V	440V	460V	575V	START METHOD	DIRECT ON LINE				
F.L.A.	A	4.4	4.2	4	2.4	2.3	2.1	2	1.6	INSULATION CLASS	B CLASS				



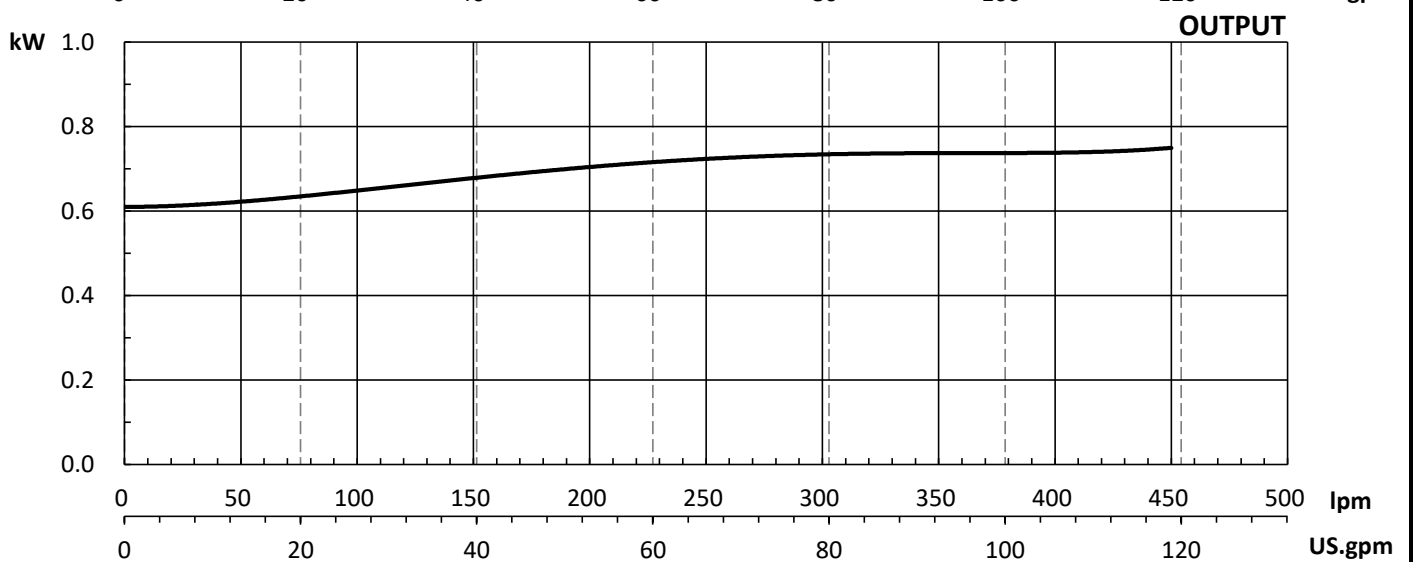
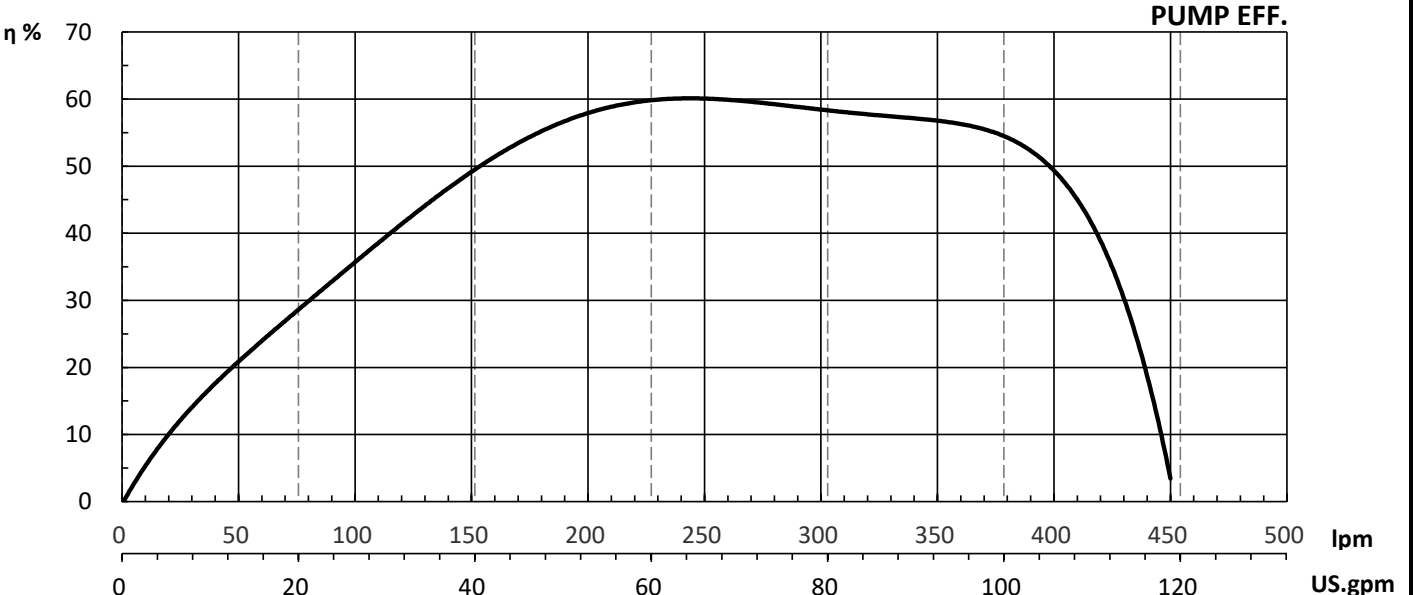
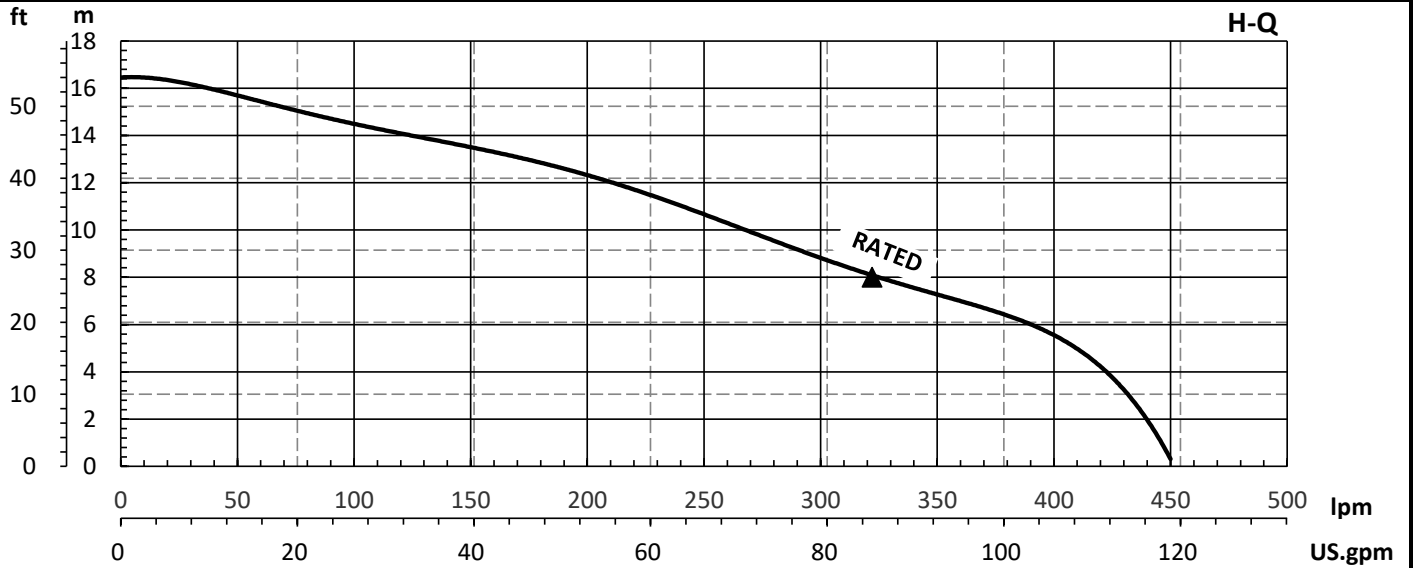
PUMP PERFORMANCE REPORT

MODEL	50EC-6.10T ELBOW TYPE										RATED				
FREQUENCY	60 HZ										HEAD	8	m	26	ft
DISCHARGE	2 Inch / 50 mm										CAPACITY	322	lpm	85	gpm
OUTPUT	1 HP / 0.75 kW										POLE / RPM	2P / 3450 RPM			
PHASE/VOLTAGE	3 ϕ	208V	220V	230V	380V	400V	440V	460V	575V	START METHOD	DIRECT ON LINE				
F.L.A.	A	4.4	4.2	4	2.4	2.3	2.1	2	1.6	INSULATION CLASS	B CLASS				



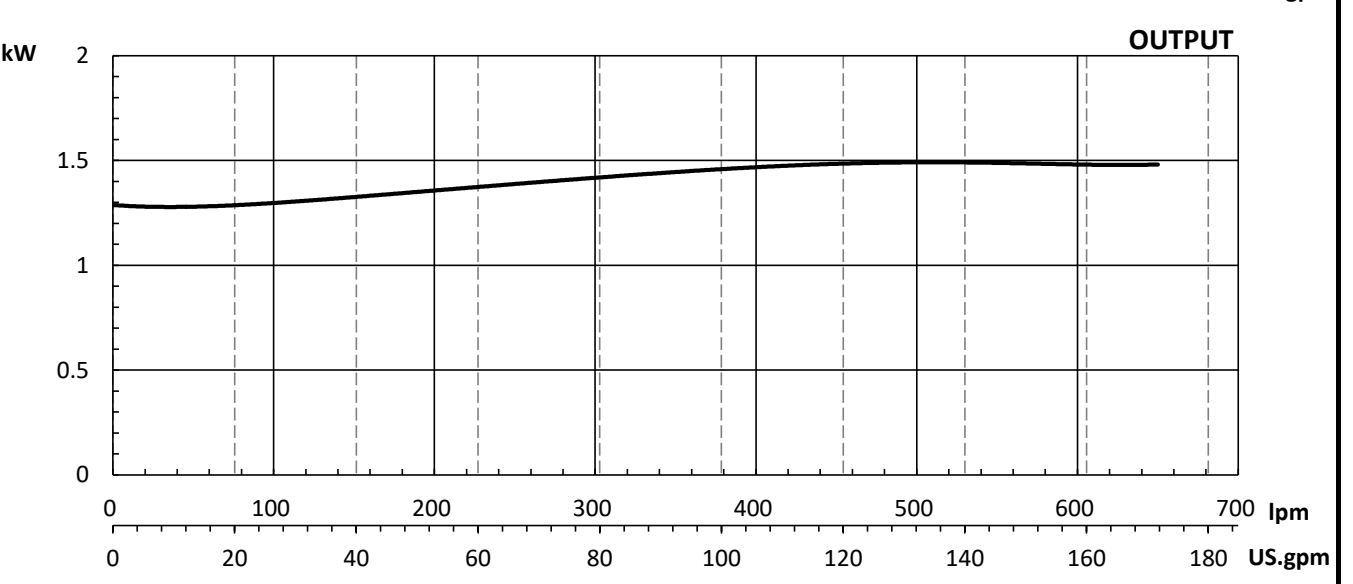
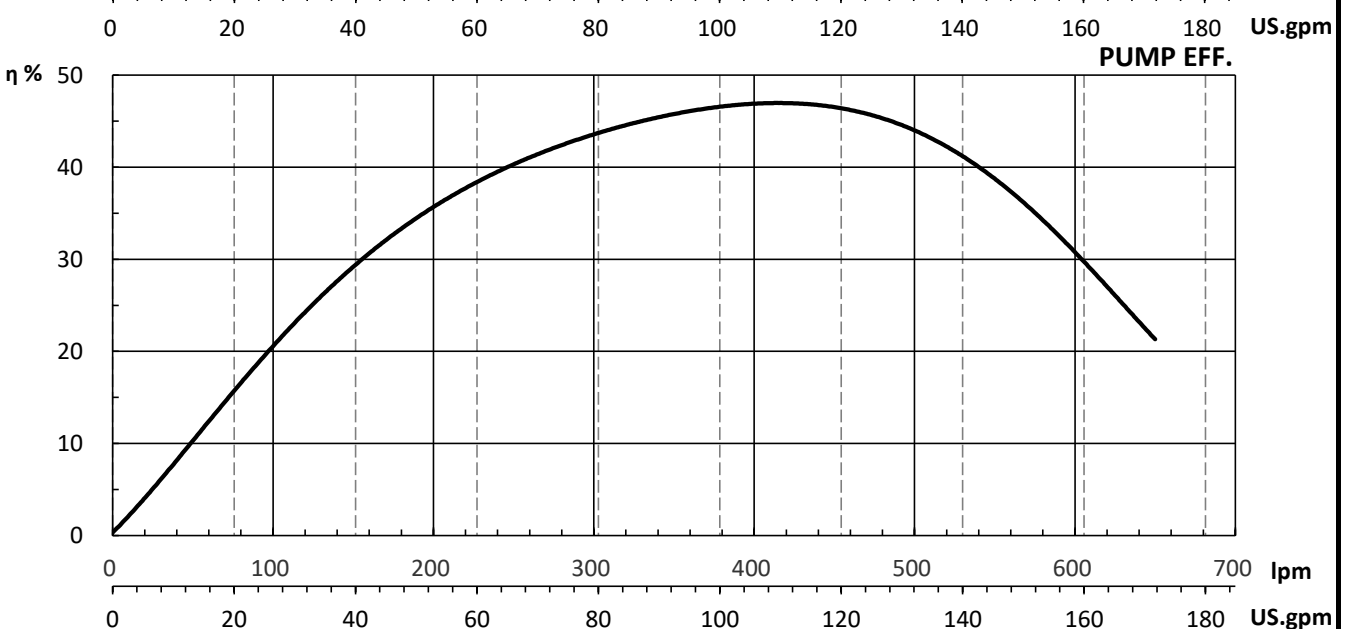
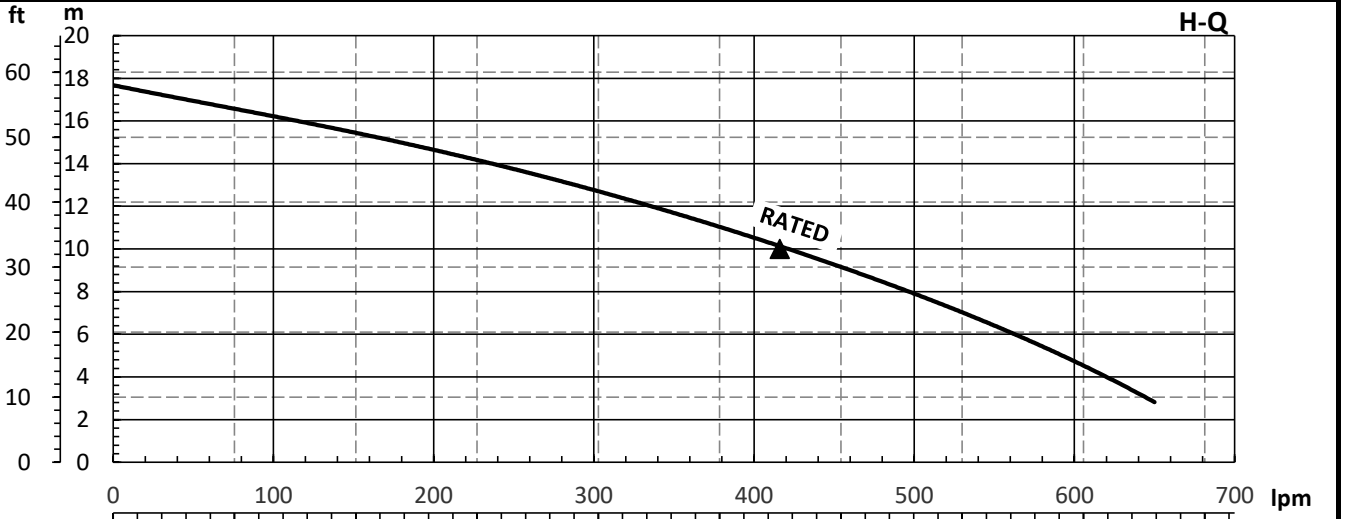
PUMP PERFORMANCE REPORT

MODEL	80EC-6.10T ELBOW TYPE										RATED				
FREQUENCY	60 HZ										HEAD	8	m	26	ft
DISCHARGE	3 Inch / 80 mm										CAPACITY	322	lpm	85	gpm
OUTPUT	1 HP / 0.75 kW										POLE / RPM	2P / 3450 RPM			
PHASE/VOLTAGE	3 ϕ	208V	220V	230V	380V	400V	440V	460V	575V	START METHOD	DIRECT ON LINE				
F.L.A.	A	4.4	4.2	4	2.4	2.3	2.1	2	1.6	INSULATION CLASS	B CLASS				



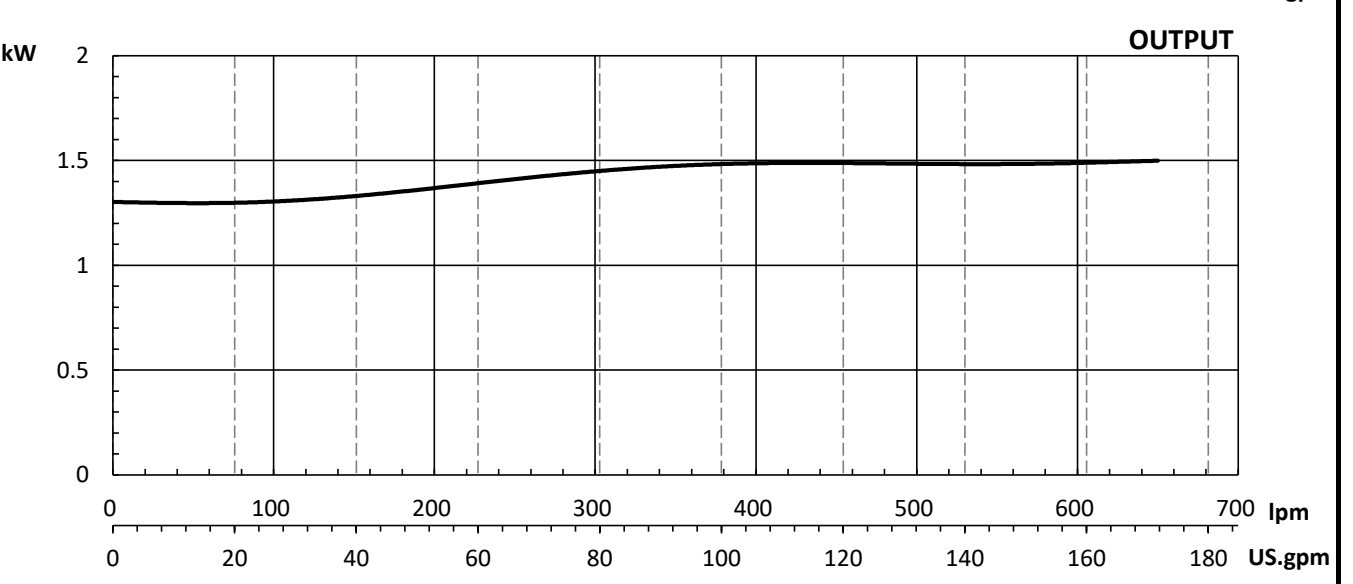
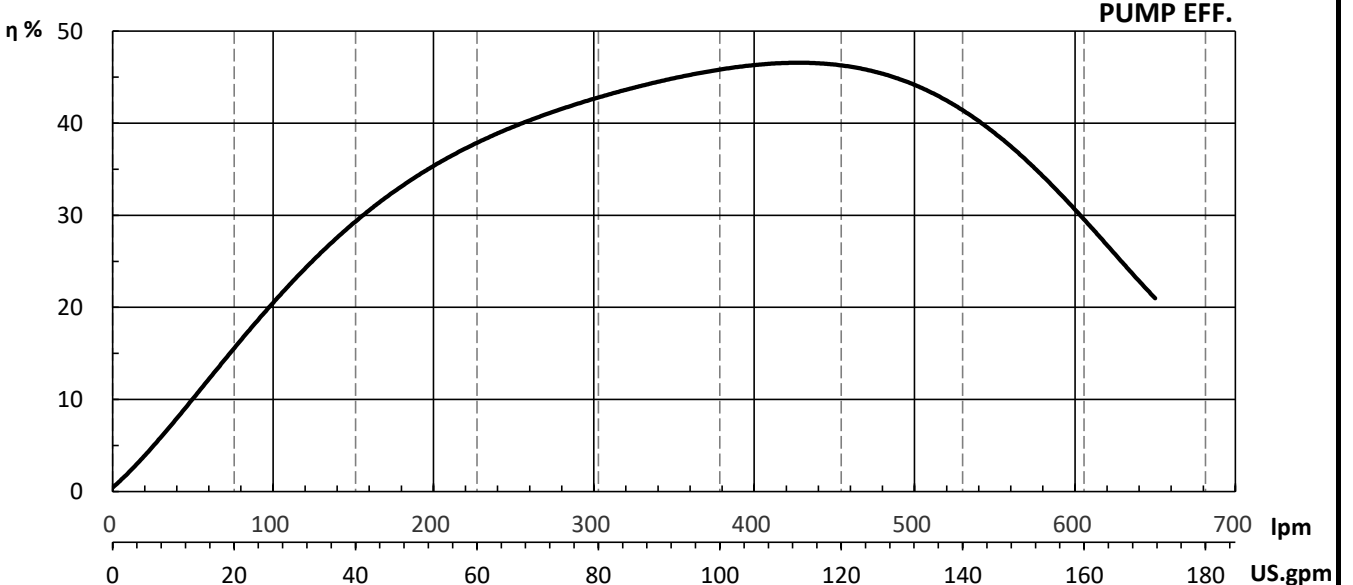
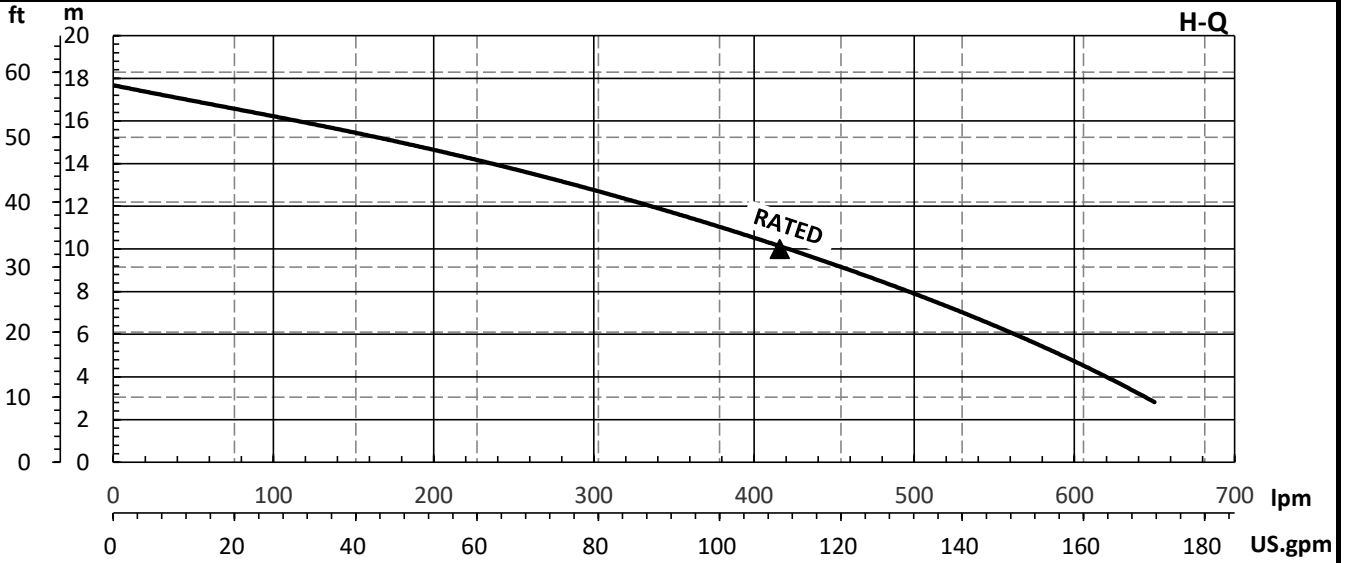
PUMP PERFORMANCE REPORT

MODEL	50EC-6.20S				RATED				
FREQUENCY	60 HZ				HEAD	10	m	33	ft
DISCHARGE	2 Inch / 50 mm				CAPACITY	416	lpm	110	gpm
OUTPUT	2 HP / 1.5 kW				POLE / RPM	2P / 3450		RPM	
PHASE/VOLTAGE	1 ϕ	208V	220V	230V	START METHOD	CAPACITOR START			
F.L.A.	A	12.2	11.5	11	INSULATION CLASS	B		CLASS	



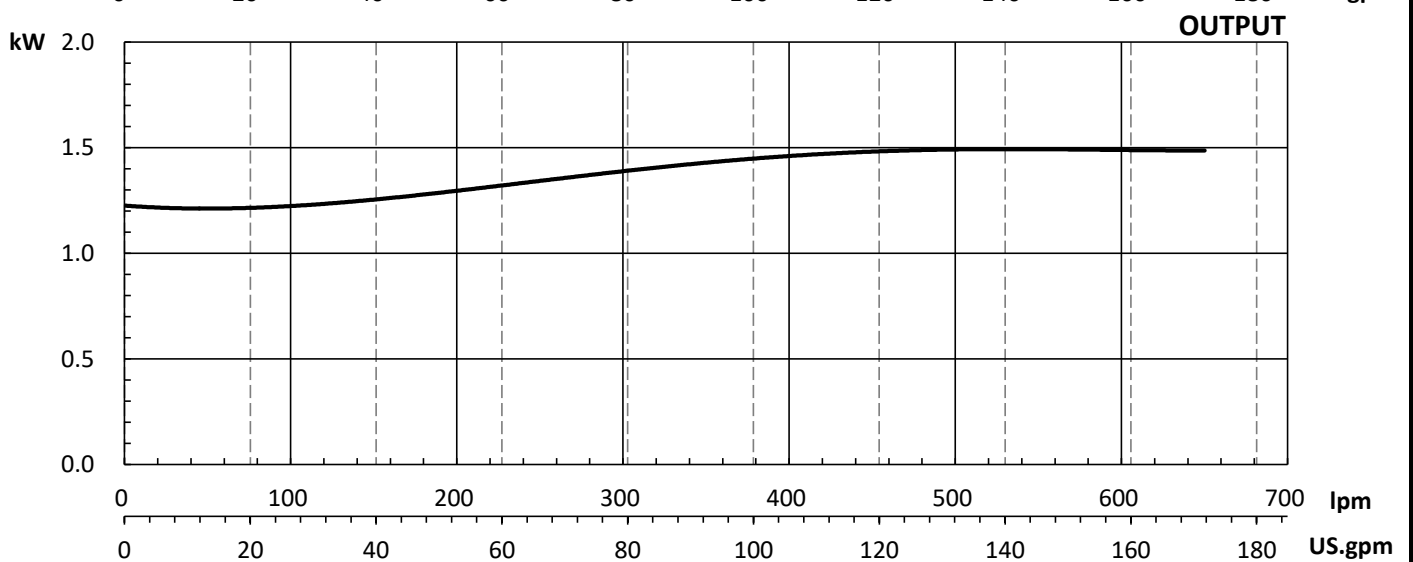
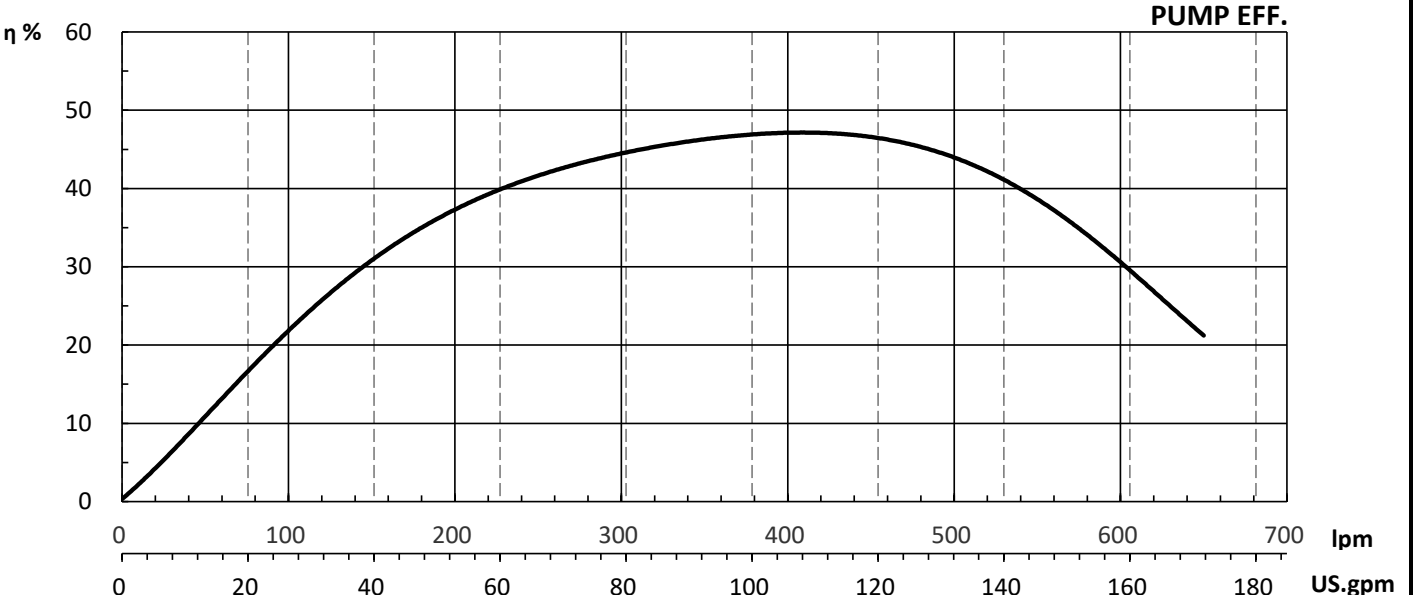
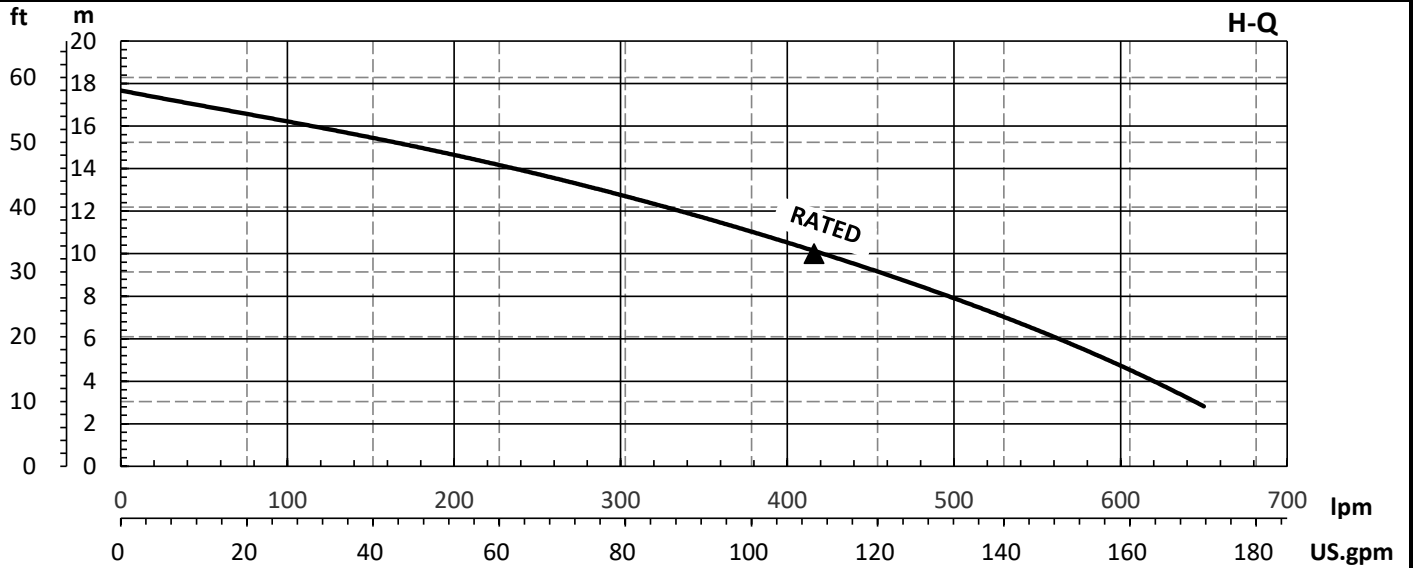
PUMP PERFORMANCE REPORT

MODEL	80EC-6.20S				RATED				
FREQUENCY	60 HZ				HEAD	10	m	33	ft
DISCHARGE	3 Inch / 80 mm				CAPACITY	416	lpm	110	gpm
OUTPUT	2 HP / 1.5 kW				POLE / RPM	2P / 3450		RPM	
PHASE/VOLTAGE	1 ϕ	208V	220V	230V	START METHOD	CAPACITOR START			
F.L.A.	A	12.2	11.5	11	INSULATION CLASS	B		CLASS	



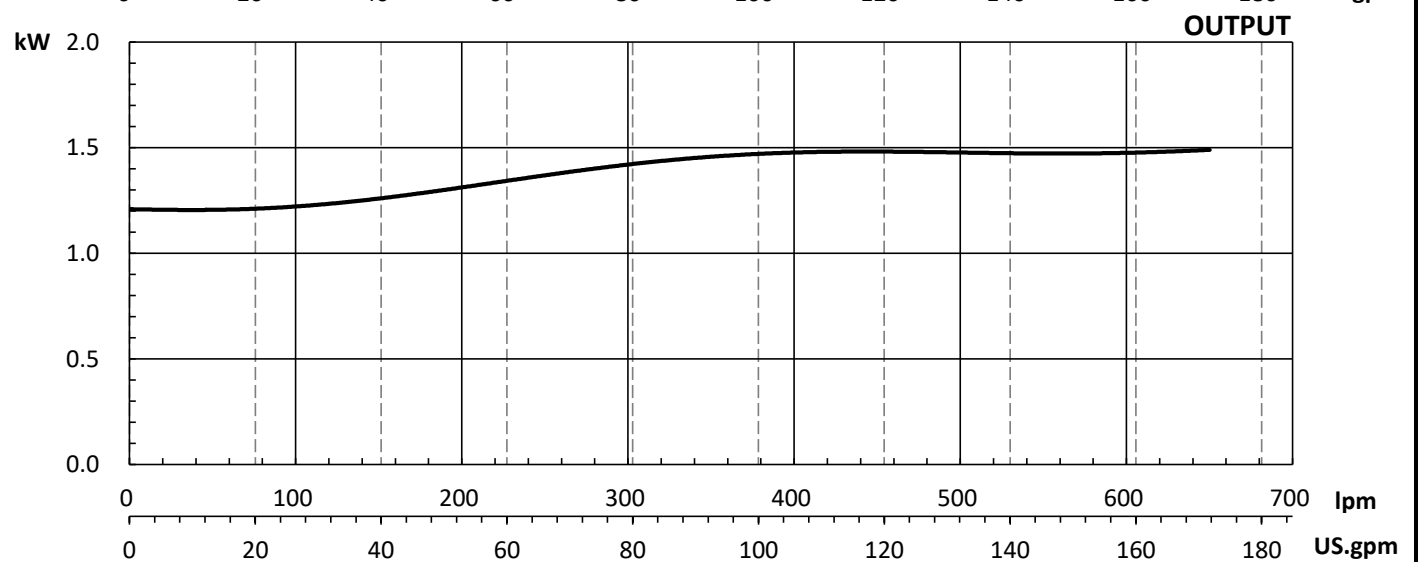
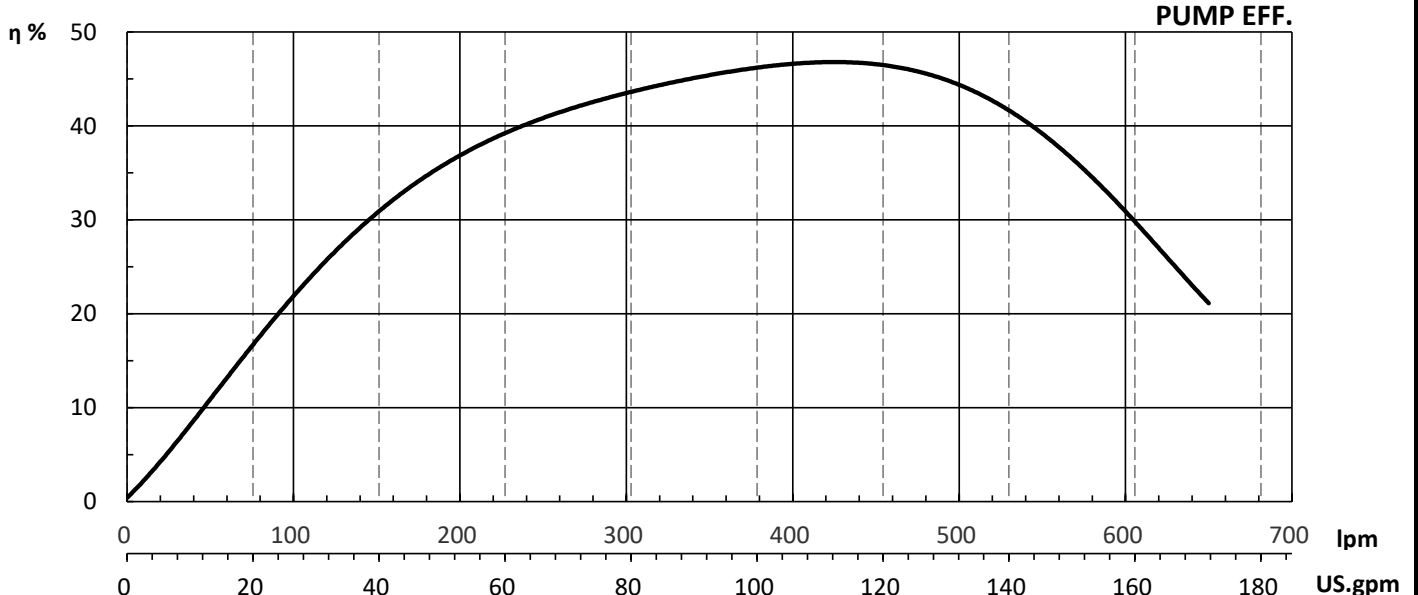
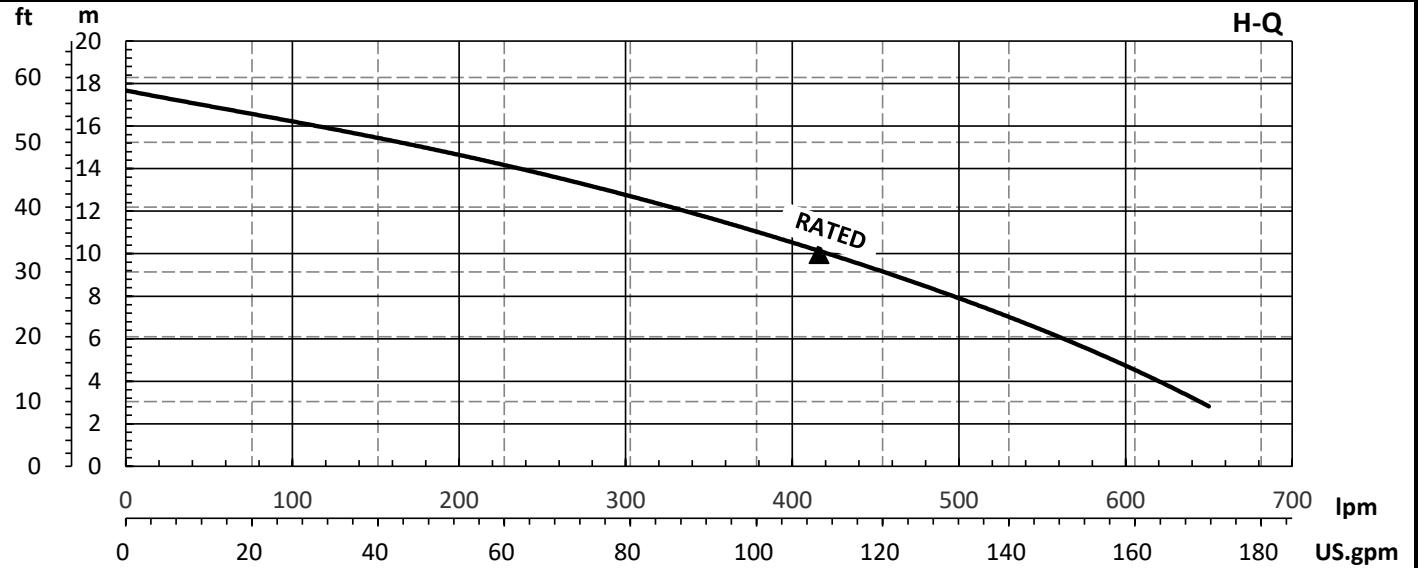
PUMP PERFORMANCE REPORT

MODEL	50EC-6.20T										RATED				
FREQUENCY	60 HZ										HEAD	10	m	33	ft
DISCHARGE	2 Inch / 50 mm										CAPACITY	416	lpm	110	gpm
OUTPUT	2 HP / 1.5 kW										POLE / RPM	2P / 3450 RPM			
PHASE/VOLTAGE	3 ϕ	208V	220V	230V	380V	400V	440V	460V	575V	START METHOD	DIRECT ON LINE				
F.L.A.	A	6.9	6.4	6.2	3.8	3.6	3.2	3.1	2.5	INSULATION CLASS	B CLASS				



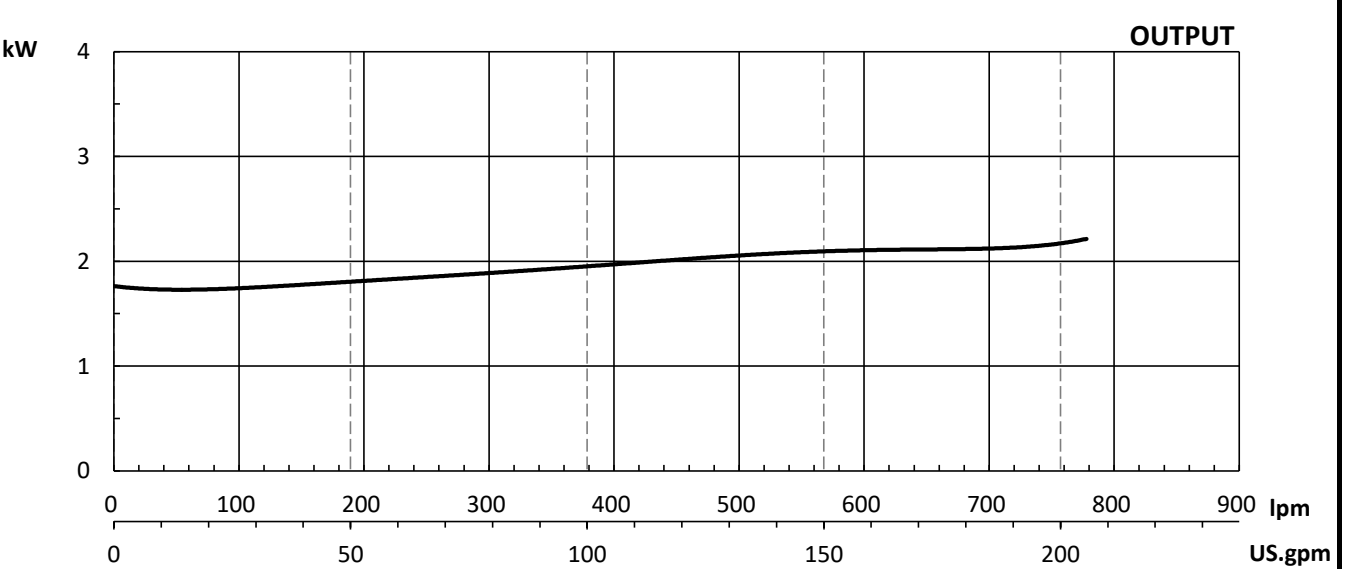
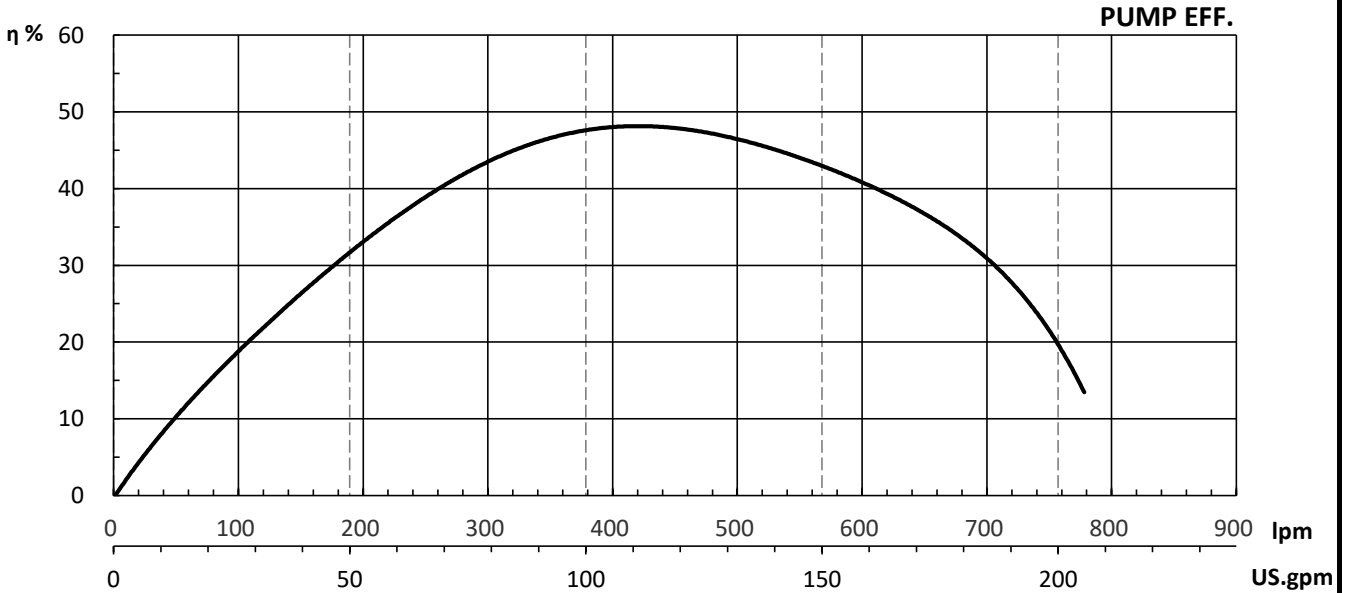
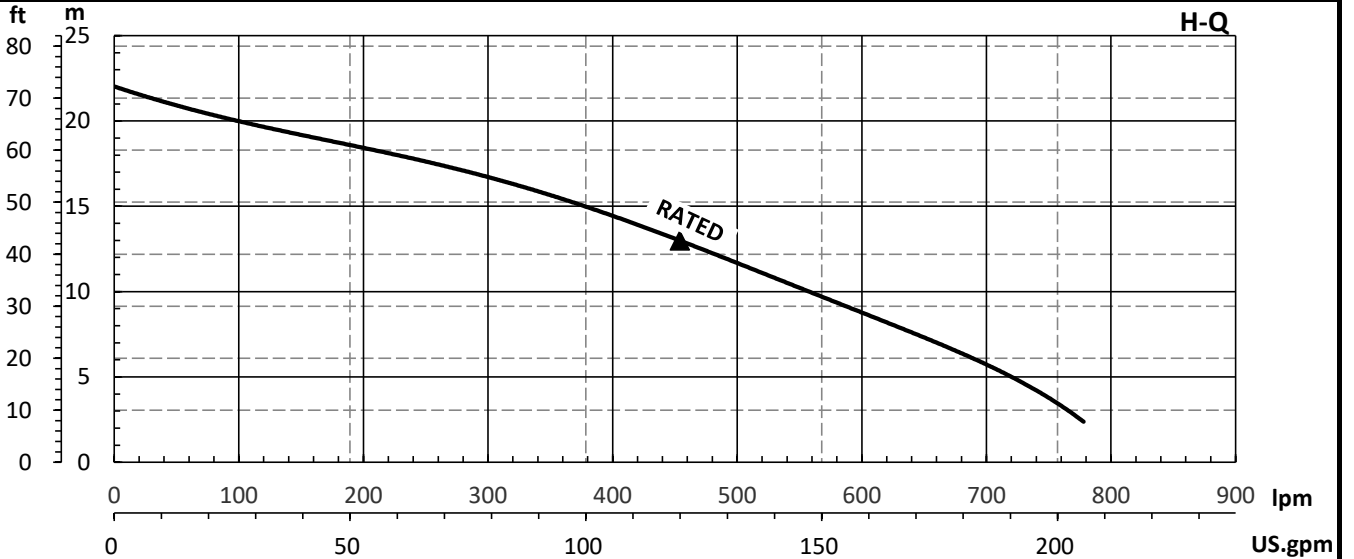
PUMP PERFORMANCE REPORT

MODEL	80EC-6.20T										RATED				
FREQUENCY	60 HZ										HEAD	10	m	33	ft
DISCHARGE	3 Inch / 80 mm										CAPACITY	416	lpm	110	gpm
OUTPUT	2 HP / 1.5 kW										POLE / RPM	2P / 3450 RPM			
PHASE/VOLTAGE	3 ϕ	208V	220V	230V	380V	400V	440V	460V	575V	START METHOD	DIRECT ON LINE				
F.L.A.	A	6.9	6.4	6.2	3.8	3.6	3.2	3.1	2.5	INSULATION CLASS	B CLASS				



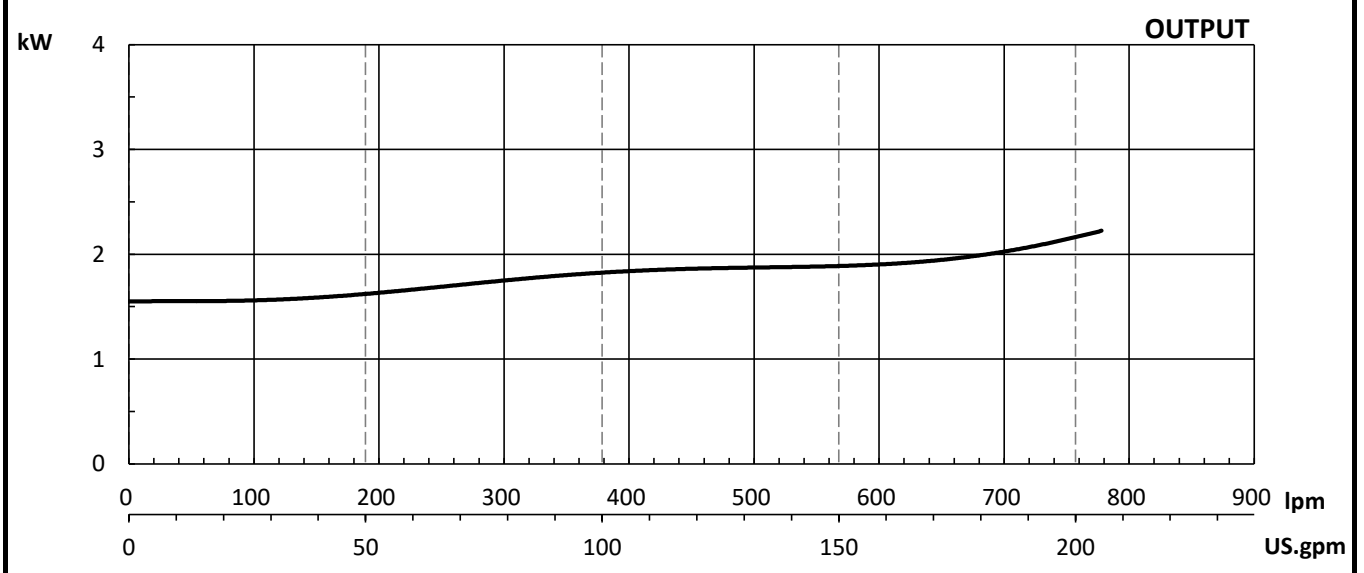
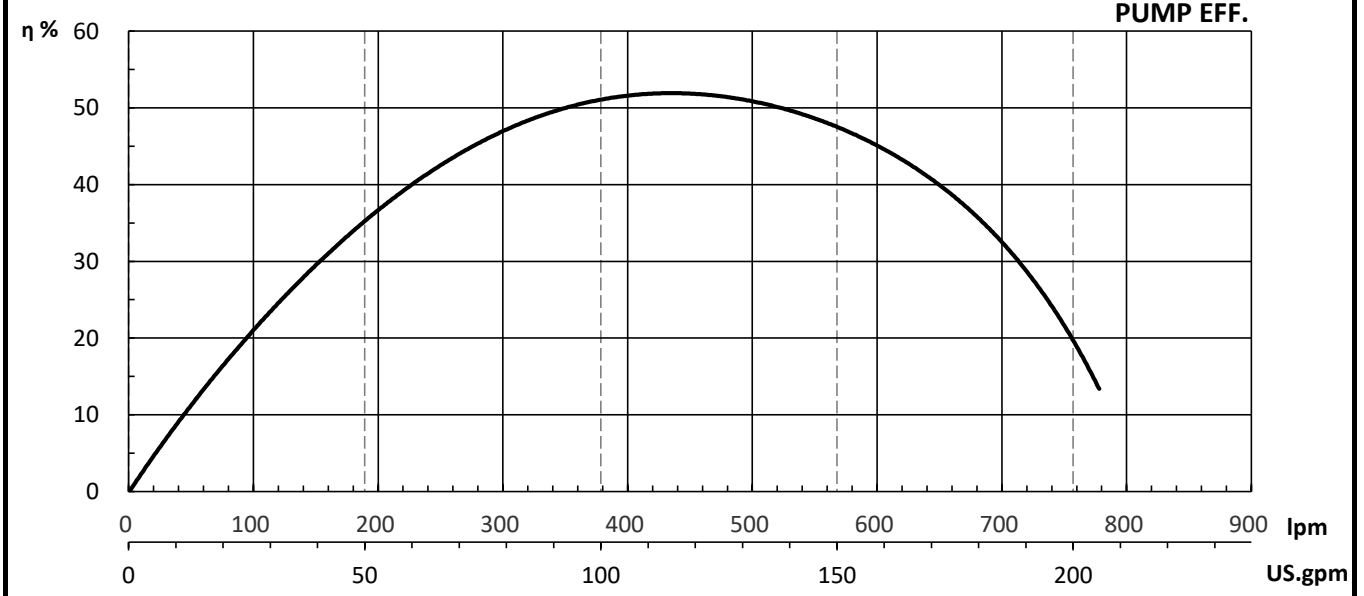
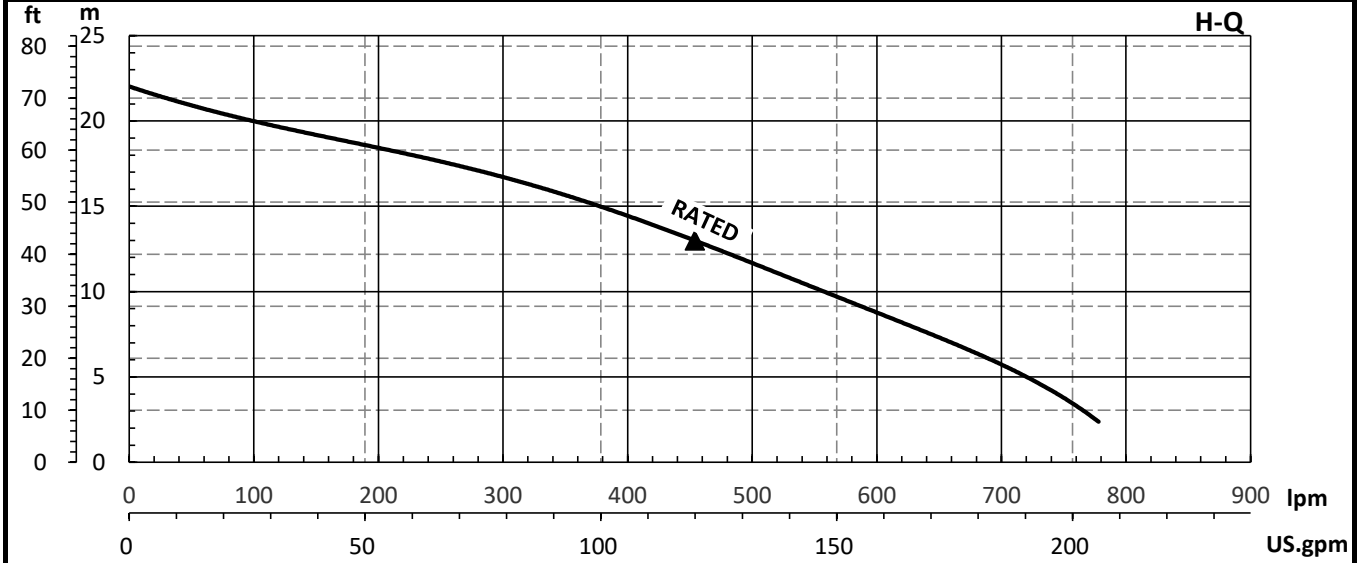
PUMP PERFORMANCE REPORT

MODEL	50EC-6.30S				RATED				
FREQUENCY	60 HZ				HEAD	13	m	43	ft
DISCHARGE	2 Inch / 50 mm				CAPACITY	454	lpm	120	gpm
OUTPUT	3 HP / 2.2 kW				POLE / RPM	2P / 3450		RPM	
PHASE/VOLTAGE	1 ϕ	208V	220V	230V	START METHOD	CAPACITOR START			
F.L.A.	A	15	14.6	14	INSULATION CLASS	B		CLASS	



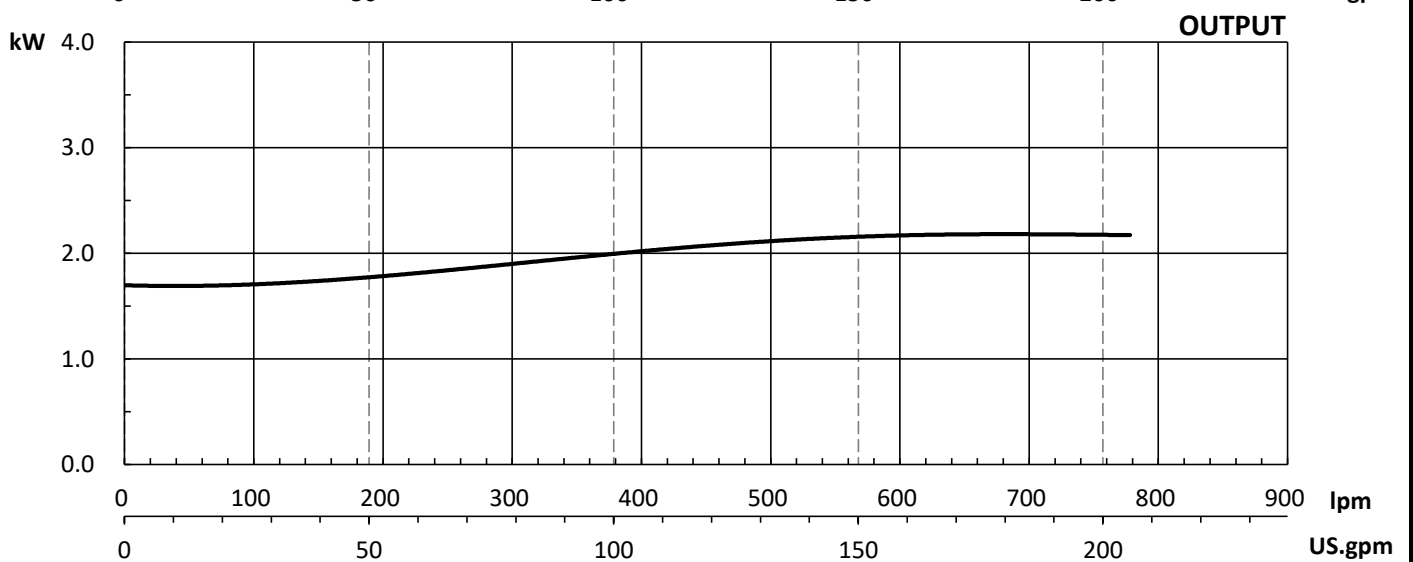
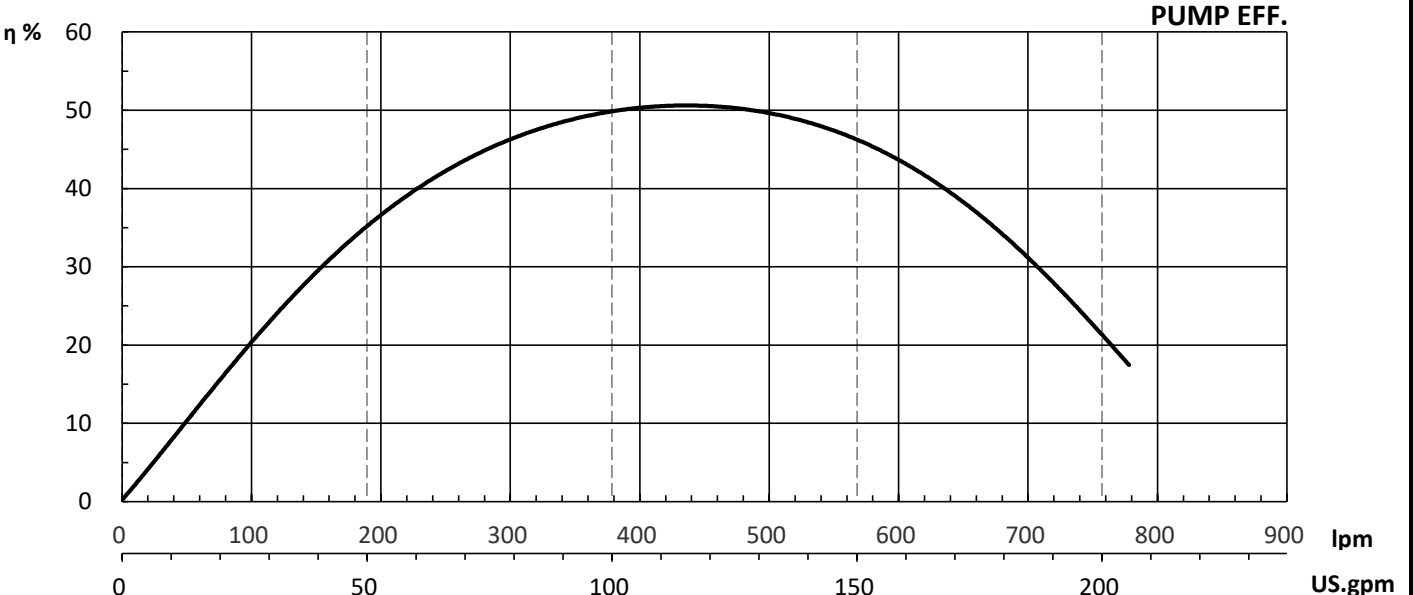
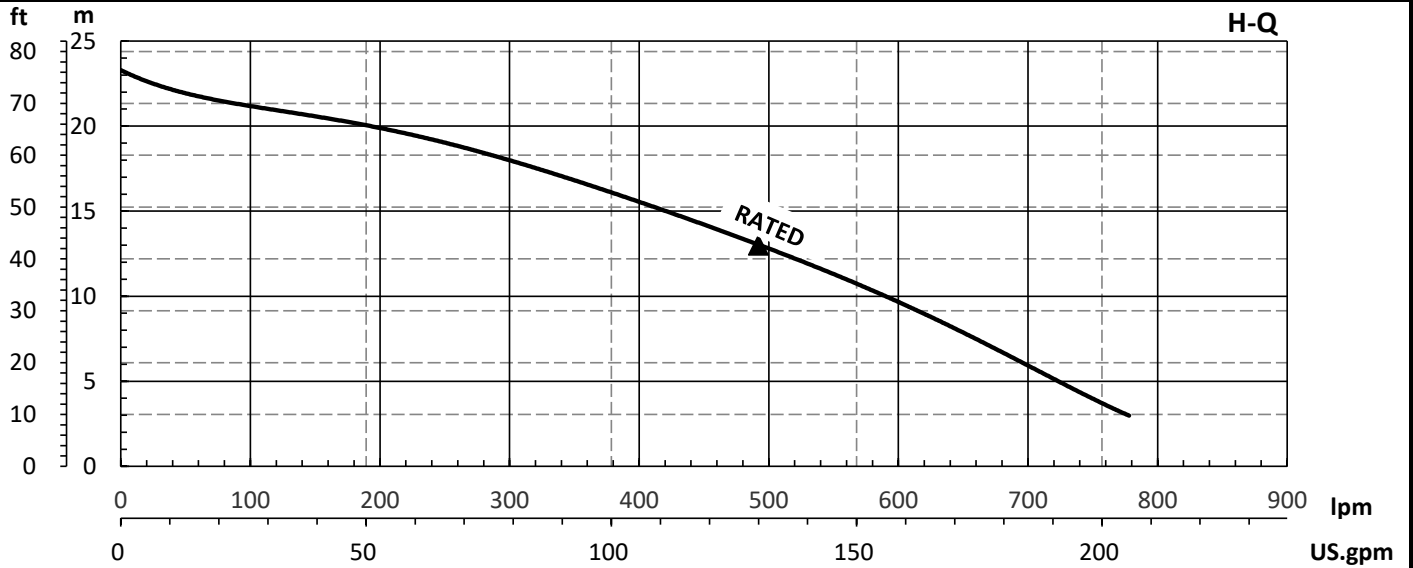
PUMP PERFORMANCE REPORT

MODEL	80EC-6.30S				RATED				
FREQUENCY	60 HZ				HEAD	13	m	43	ft
DISCHARGE	3 Inch / 80 mm				CAPACITY	454	lpm	120	gpm
OUTPUT	3 HP / 2.2 kW				POLE / RPM	2P / 3450		RPM	
PHASE/VOLTAGE	1 ϕ	208V	220V	230V	START METHOD	CAPACITOR START			
F.L.A.	A	15	14.6	14	INSULATION CLASS	B		CLASS	



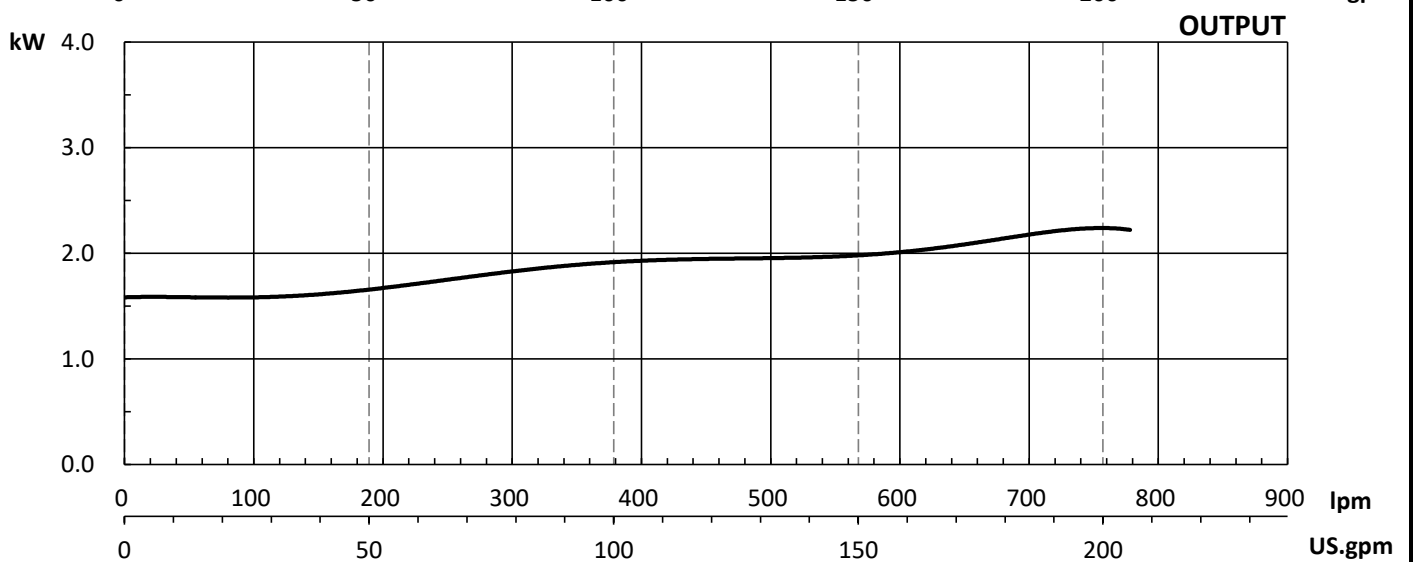
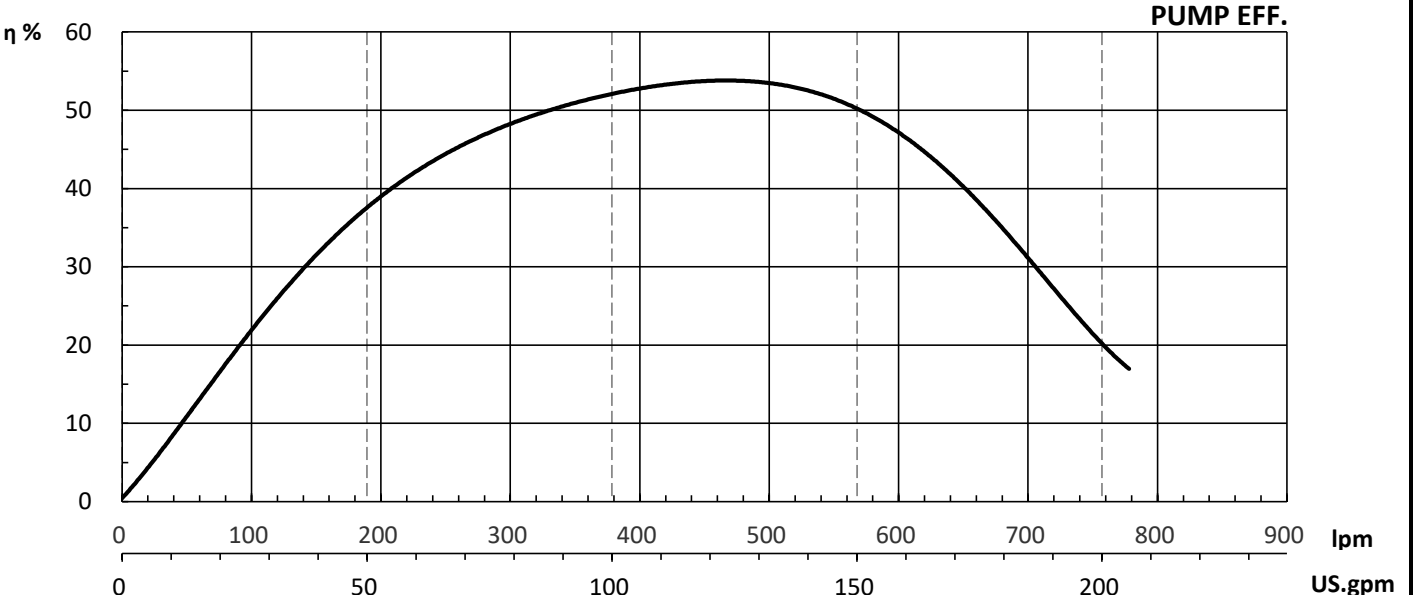
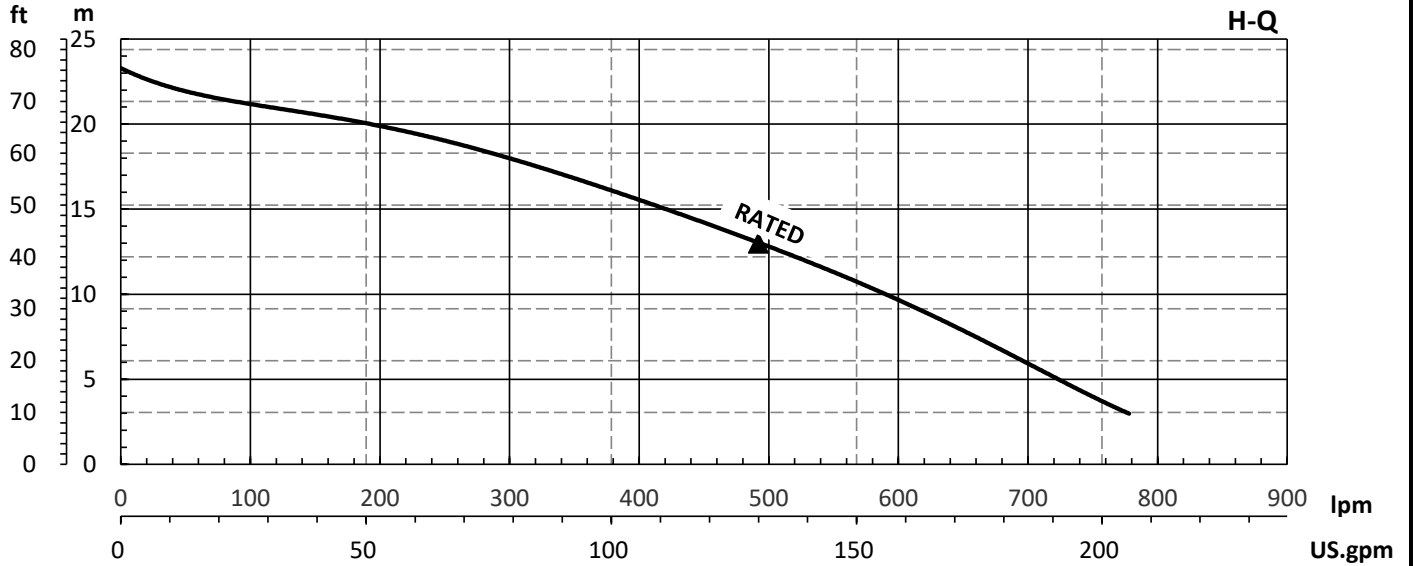
PUMP PERFORMANCE REPORT

MODEL	50EC-6.30T										RATED				
FREQUENCY	60 HZ										HEAD	13	m	43	ft
DISCHARGE	2 Inch / 50 mm										CAPACITY	492	lpm	130	gpm
OUTPUT	3 HP / 2.2 kW										POLE / RPM	2P / 3450 RPM			
PHASE/VOLTAGE	3 ϕ	208V	220V	230V	380V	400V	440V	460V	575V	START METHOD	DIRECT ON LINE				
F.L.A.	A	10	9.4	9	5.5	5.2	4.7	4.5	3.6	INSULATION CLASS	B CLASS				



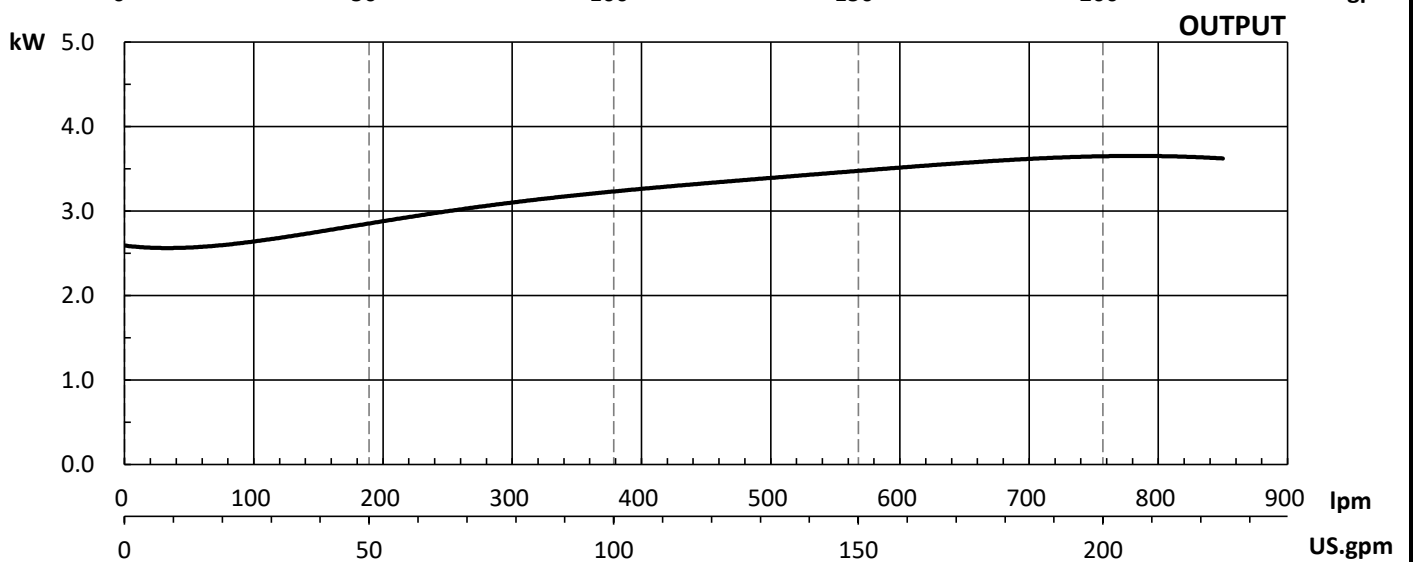
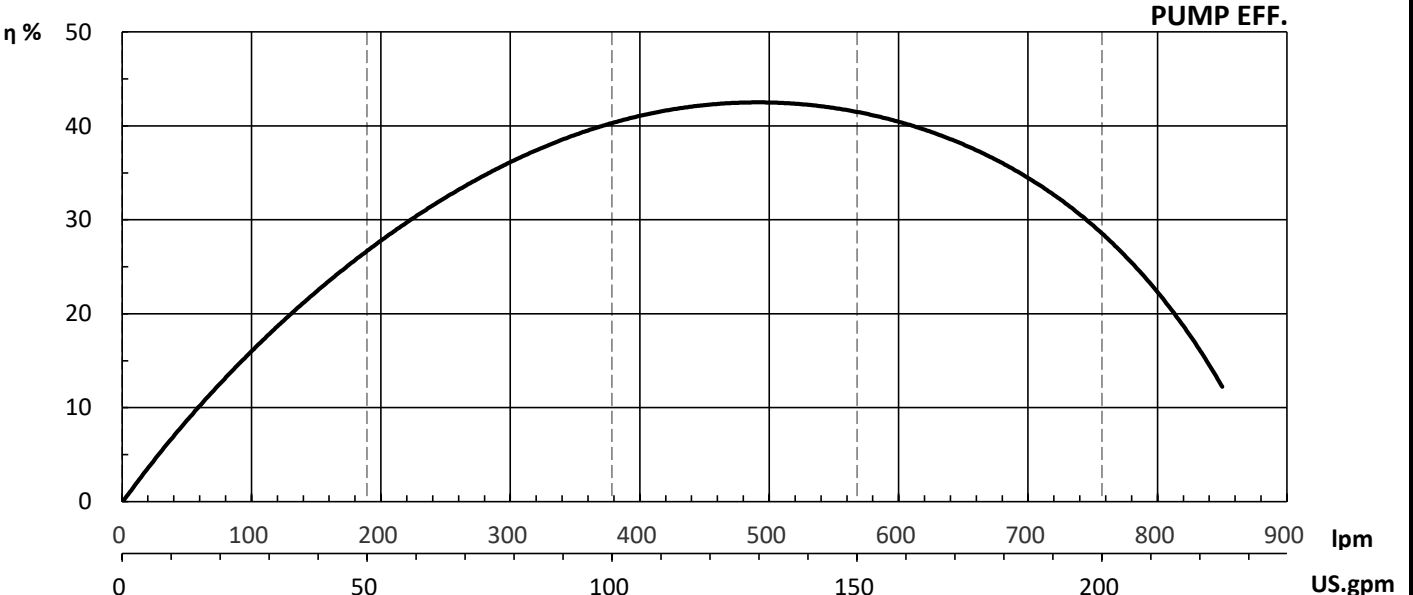
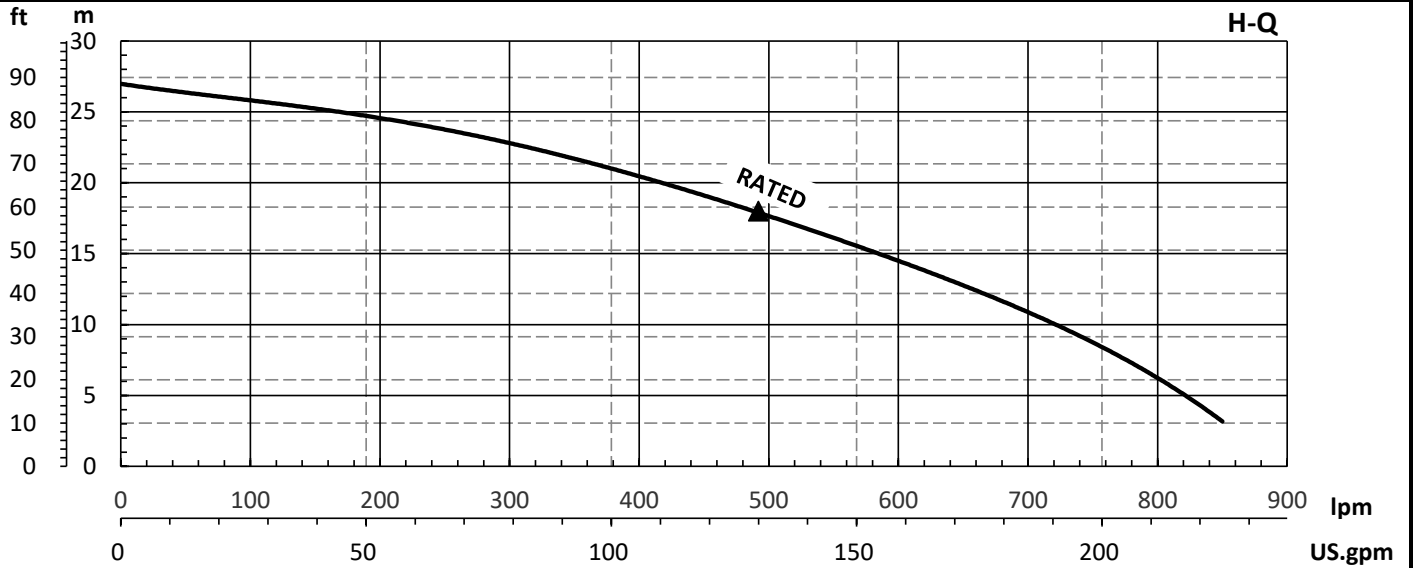
PUMP PERFORMANCE REPORT

MODEL	80EC-6.30T										RATED				
FREQUENCY	60 HZ										HEAD	13	m	43	ft
DISCHARGE	3 Inch / 80 mm										CAPACITY	492	lpm	130	gpm
OUTPUT	3 HP / 2.2 kW										POLE / RPM	2P / 3450 RPM			
PHASE/VOLTAGE	3 ϕ	208V	220V	230V	380V	400V	440V	460V	575V	START METHOD	DIRECT ON LINE				
F.L.A.	A	10	9.4	9	5.5	5.2	4.7	4.5	3.6	INSULATION CLASS	B CLASS				



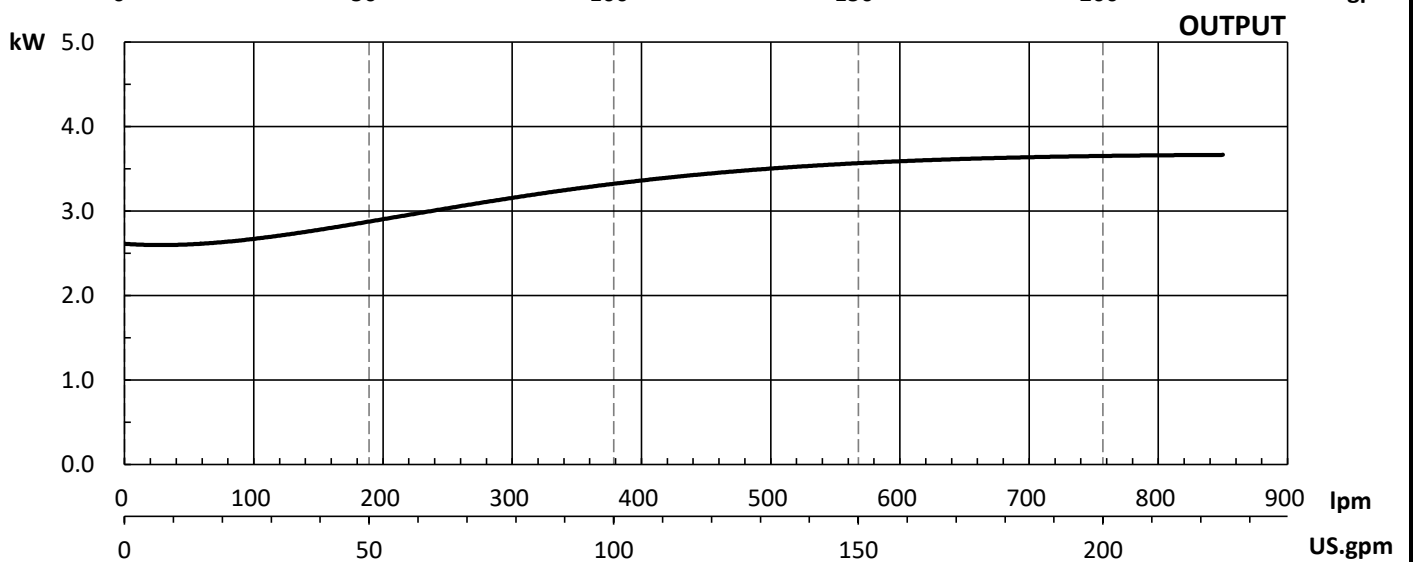
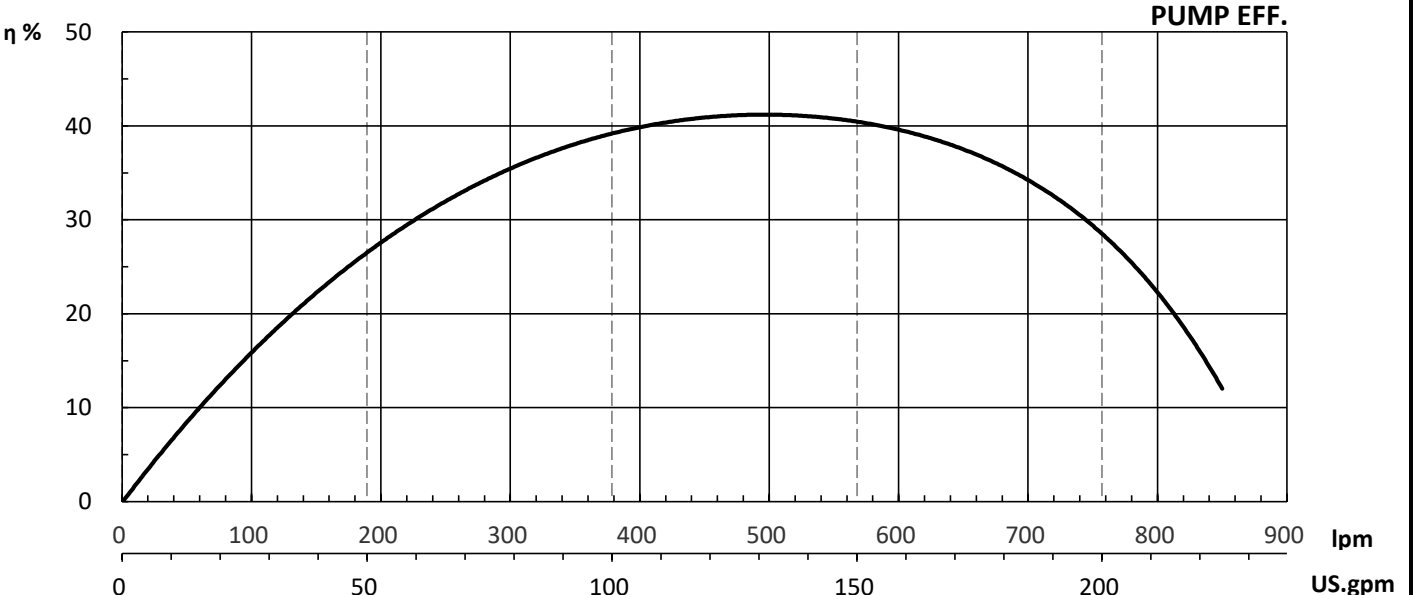
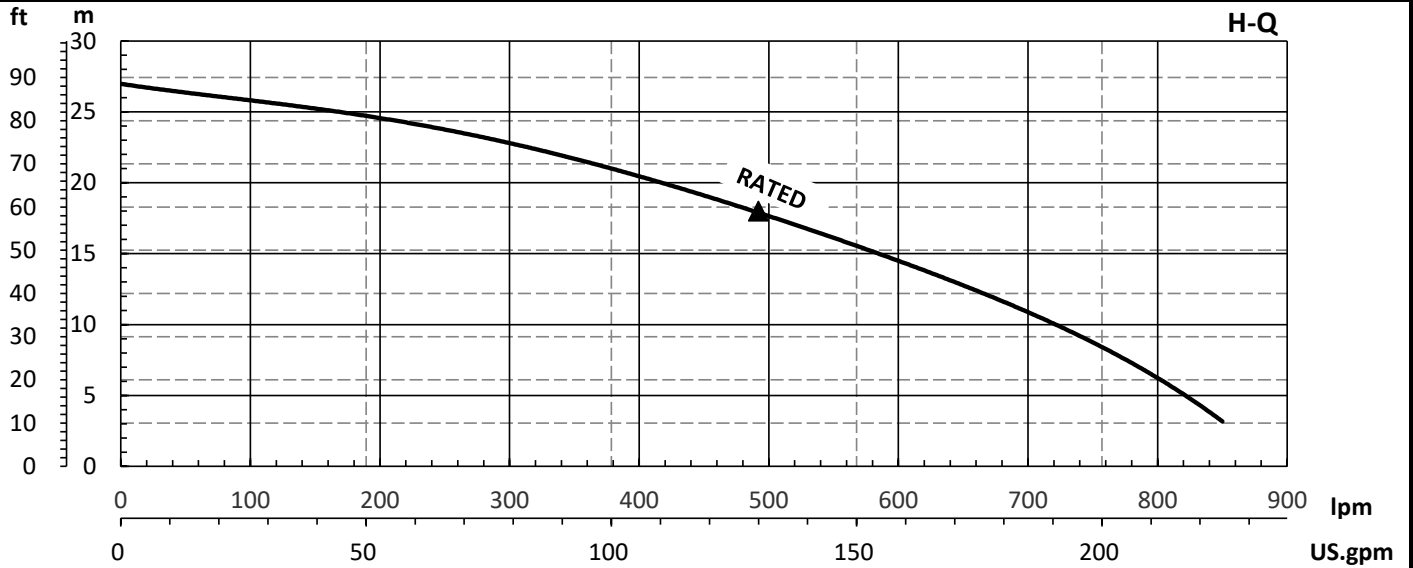
PUMP PERFORMANCE REPORT

MODEL	80EC-6.50T										RATED				
FREQUENCY	60 HZ										HEAD	18	m	59	ft
DISCHARGE	3 Inch / 80 mm										CAPACITY	492	lpm	130	gpm
OUTPUT	5 HP / 3.7 kW										POLE / RPM	2P / 3450 RPM			
PHASE/VOLTAGE	3 ϕ	208V	220V	230V	380V	400V	440V	460V	575V	START METHOD	DIRECT ON LINE				
F.L.A.	A	16.6	15.6	15	9.1	8.6	7.8	7.5	6	INSULATION CLASS	B CLASS				



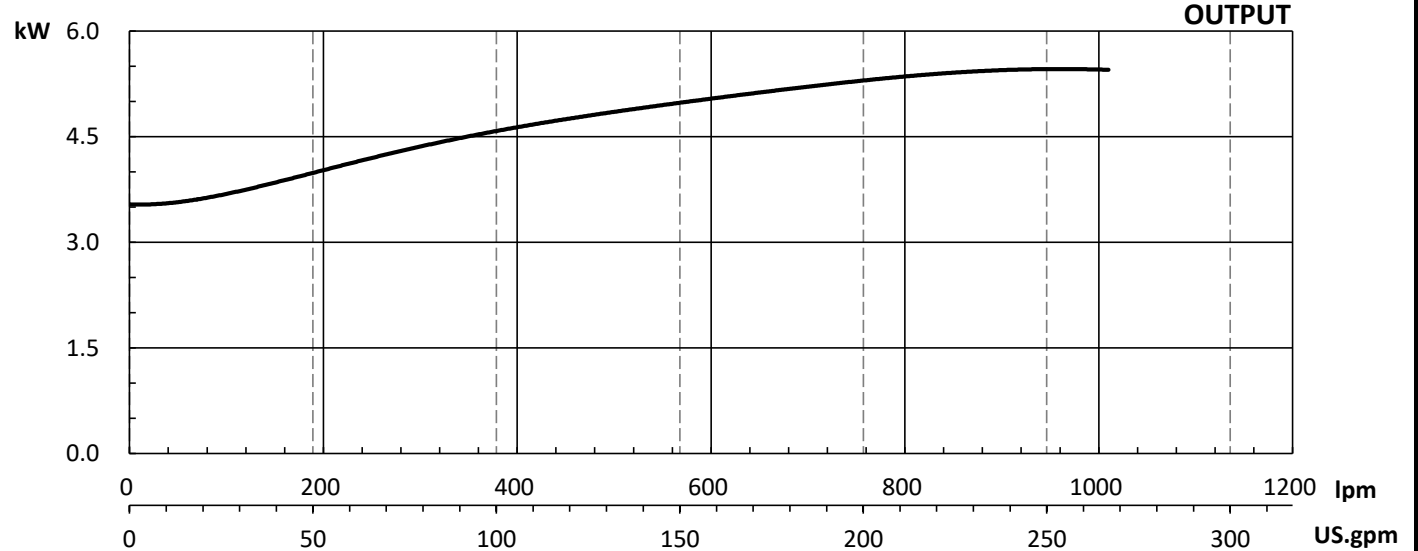
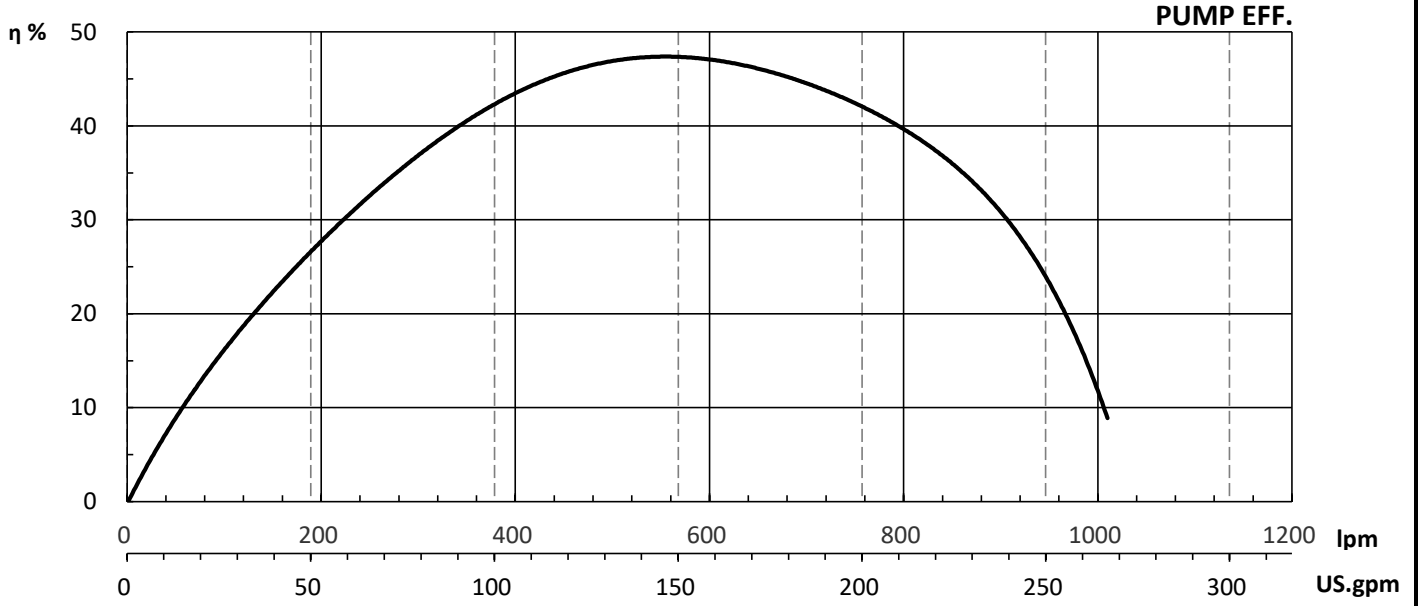
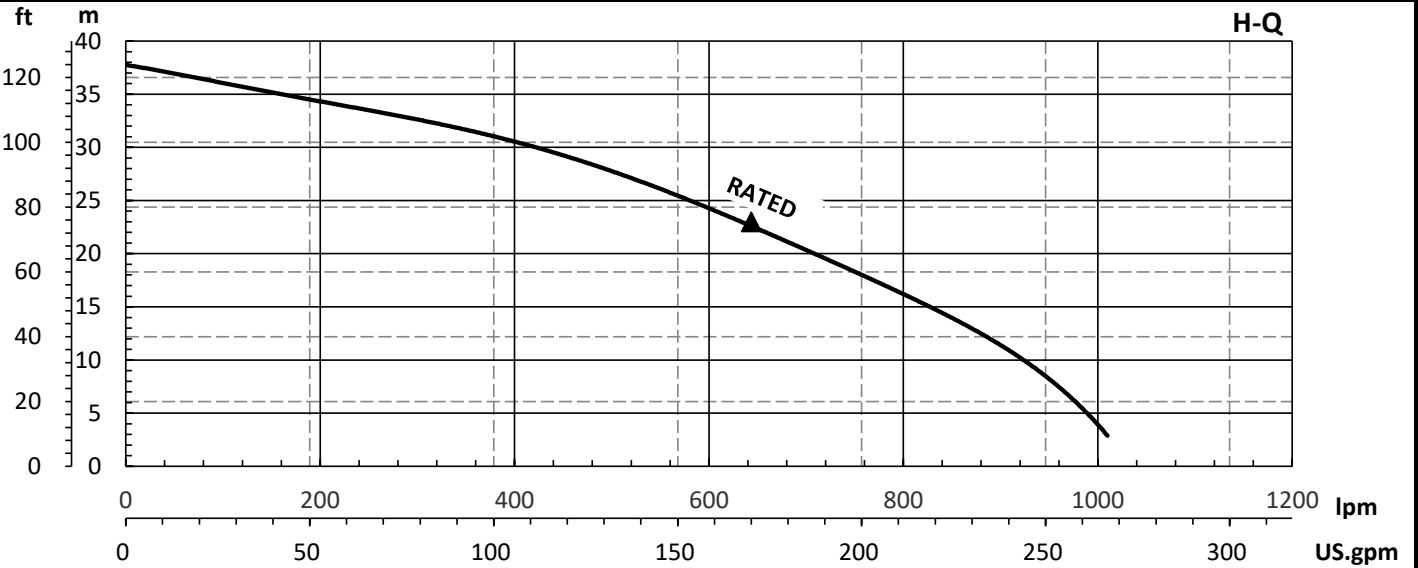
PUMP PERFORMANCE REPORT

MODEL	100EC-6.50T										RATED				
FREQUENCY	60 HZ										HEAD	18	m	59	ft
DISCHARGE	4 Inch / 100 mm										CAPACITY	492	lpm	130	gpm
OUTPUT	5 HP / 3.7 kW										POLE / RPM	2P / 3450 RPM			
PHASE/VOLTAGE	3 ϕ	208V	220V	230V	380V	400V	440V	460V	575V	START METHOD	DIRECT ON LINE				
F.L.A.	A	16.6	15.6	15	9.1	8.6	7.8	7.5	6	INSULATION CLASS	B CLASS				



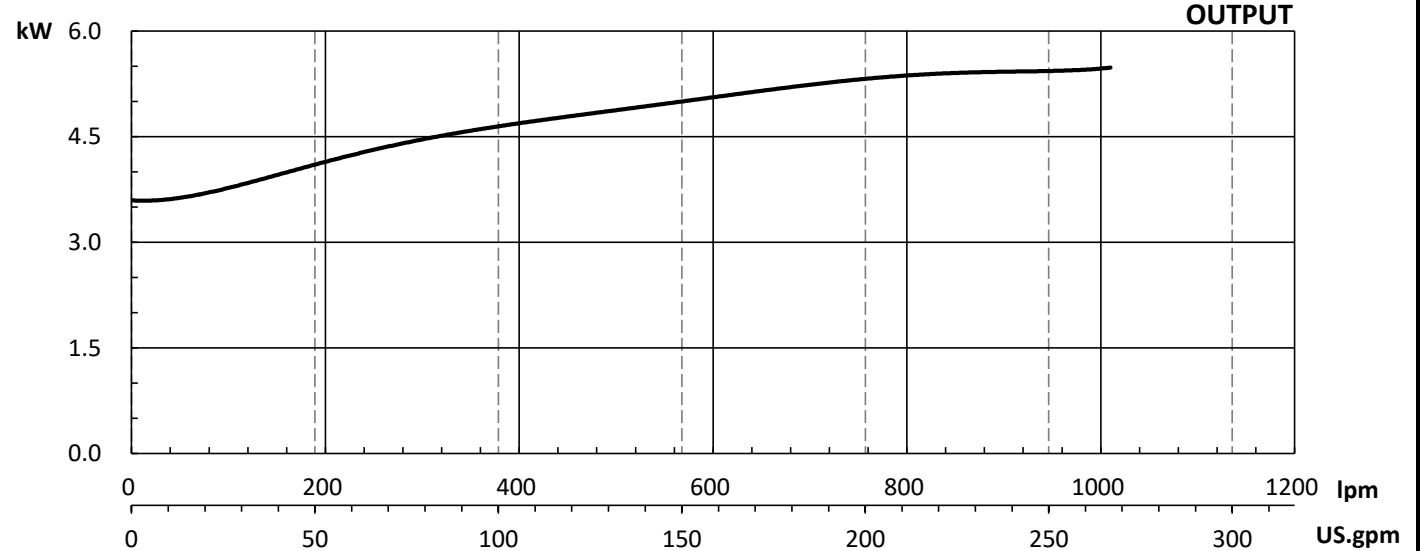
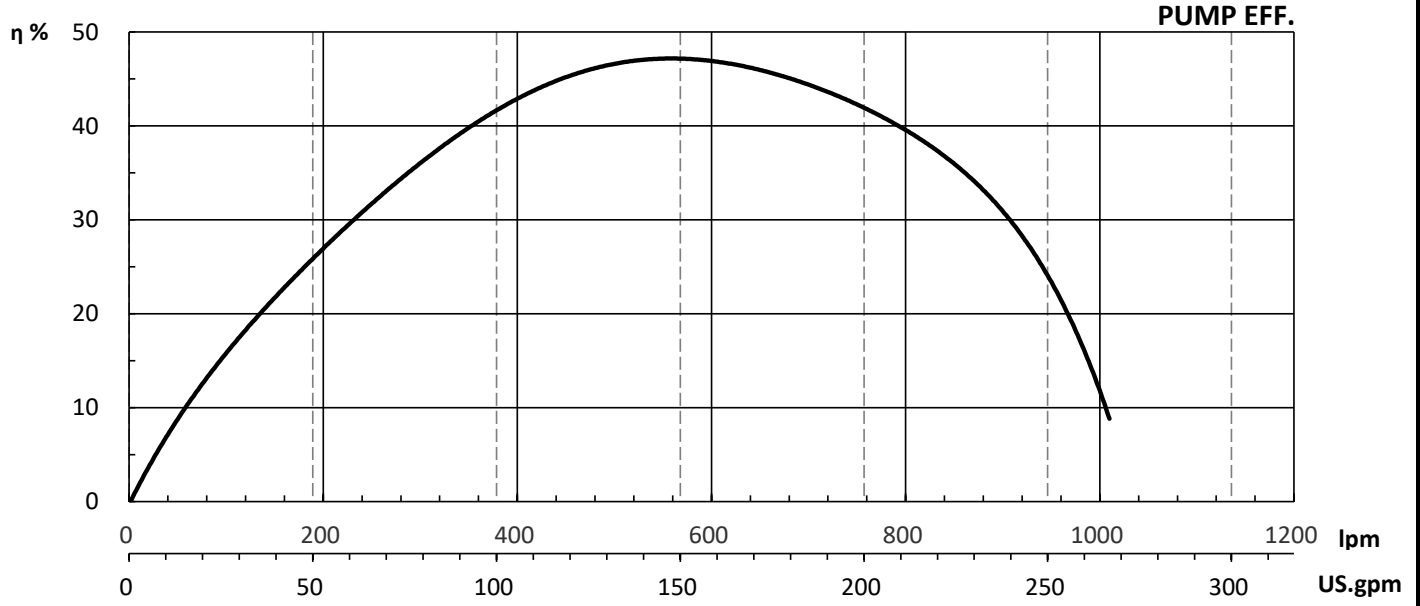
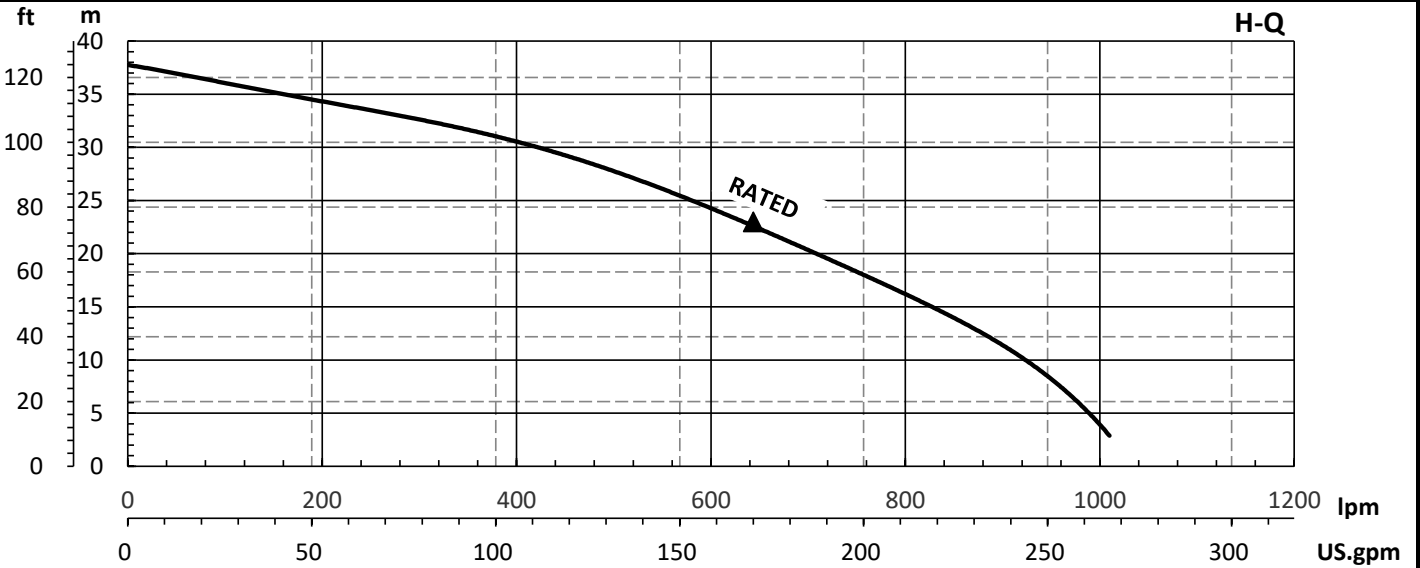
PUMP PERFORMANCE REPORT

MODEL	80EC-6.75T									RATED				
FREQUENCY	60 HZ									HEAD	23	m	75.5	ft
DISCHARGE	3 Inch / 80 mm									CAPACITY	643.5	lpm	170	gpm
OUTPUT	7.5 HP / 5.5 kW									POLE / RPM	2P / 3450 RPM			
PHASE/VOLTAGE	3 ϕ	208V	220V	230V	380V	400V	440V	460V	575V	START METHOD	DIRECT ON LINE			
F.L.A.	A	23.2	22	21	12.7	12	11	10.5	8.4	INSULATION CLASS	B	CLASS		



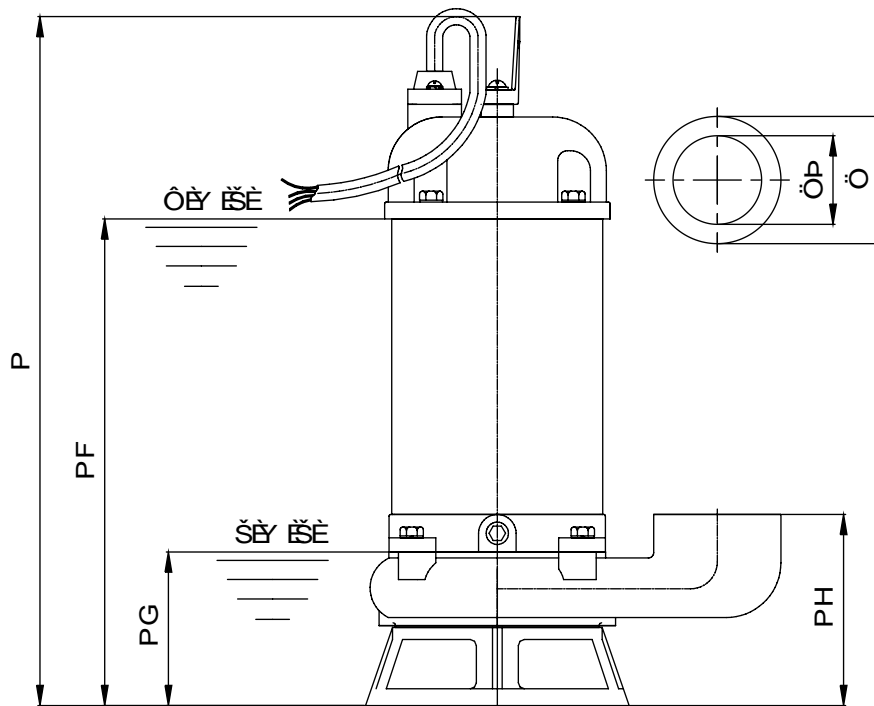
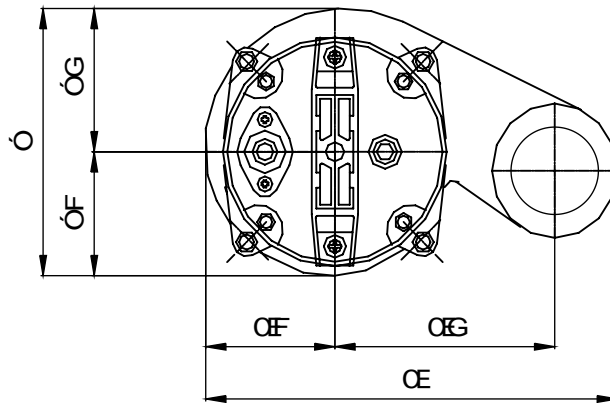
PUMP PERFORMANCE REPORT

MODEL	100EC-6.75T									RATED				
FREQUENCY	60 HZ									HEAD	23	m	75.5	ft
DISCHARGE	4 Inch / 100 mm									CAPACITY	643.5	lpm	170	gpm
OUTPUT	7.5 HP / 5.5 kW									POLE / RPM	2P /		3450	RPM
PHASE/VOLTAGE	3 ϕ	208V	220V	230V	380V	400V	440V	460V	575V	START METHOD	DIRECT ON LINE			
F.L.A.	A	23.2	22	21	12.7	12	11	10.5	8.4	INSULATION CLASS	B		CLASS	



8-A 9BGCB5@8F5K -B;

A C 89@G.) \$97! * "\$) r * "%\$ HkF958 'HMD9



H < F 958

8-G7 < 5F; 9'

8-A 9BGCB : a a
K 9< <H. _[

D-97CBB97HCB'HMD9

DH

BDH

AC89@	5	5%	5&	6	6%	6&	8	8B	<	<%	<&	<'	KH	
)\$97!*"\$))'	-)	%,	%"	-)	-)	+%+	&'	(%\$	&)	%\$*	%&*	G%&'	H%&')
)\$97!*"%\$)'	-)	%,	%"	-)	-)	+%+	&'	(, \$	'	%\$*	%&*	G%")	H%"&

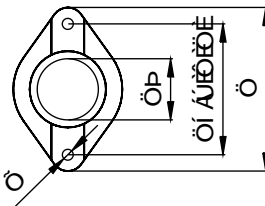
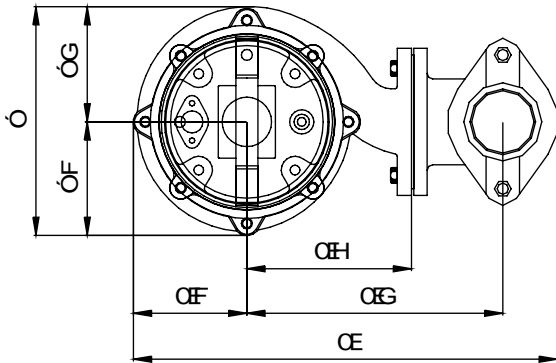
7 'K "@.7 cb]bi ci gFi bb]b['K UYf@j Y`

K H. K Y][\hk]\ci hWUV`Y

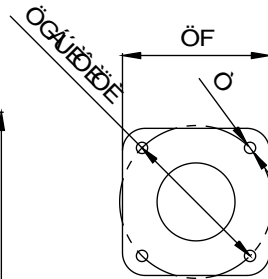
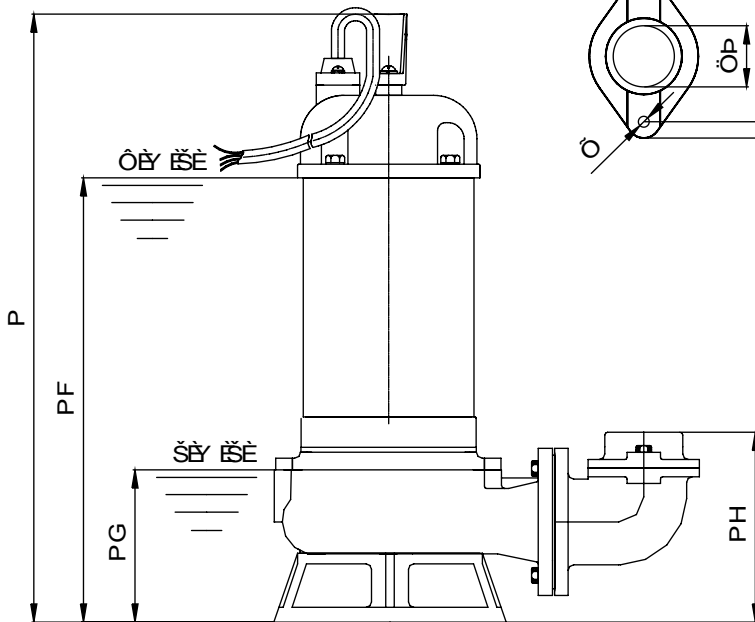
@K "@.@k YghFi bb]b['K UYf@j Y`

8-A 9BG€ B5@8F5K -B;

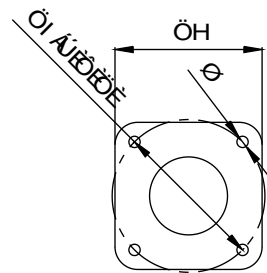
A C 89@G.) \$fj \$L97! *"%\$ 9@6CK 'HMD9



9@6CK
8-G7 < 5F; 9



DI A D' J C @ H9



9@6CK '7CBB97H€B

8-A 9BG€ B : a a
K 9 < H. _ [

D-97 CBB97 H€ B 'HMD9	
DH	BDH

AC89@	5	5%	5&	5'	6	6%	6&	8	8%	8&	8'	8(8)	8B	9	:	;	<	<%	<&	<'	K H	
) \$97! *"%\$	&*)	-)	%,	%,	%,	-\$	-)	-%	-\$	-%	-%	-%	-%	-%	-%	A %\$	A,	(\$&	&-\$	%(%(G&')	H&' "&
, \$97! *"%\$	&*)	-)	%,	%,	%,	-\$	-)	-%	-\$	-%	-%	-%	-%	-%	-%	A %\$	A,	(\$&	&-\$	%(%(G&')	H&' "&

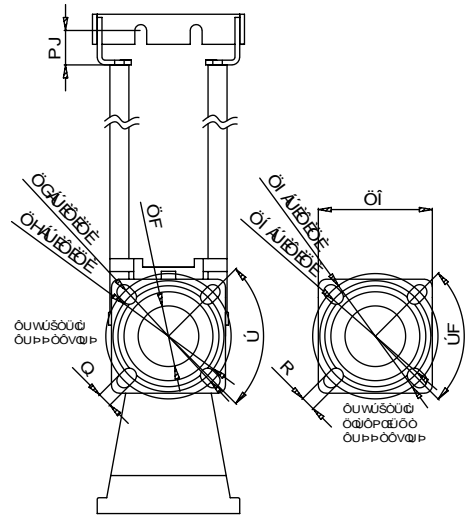
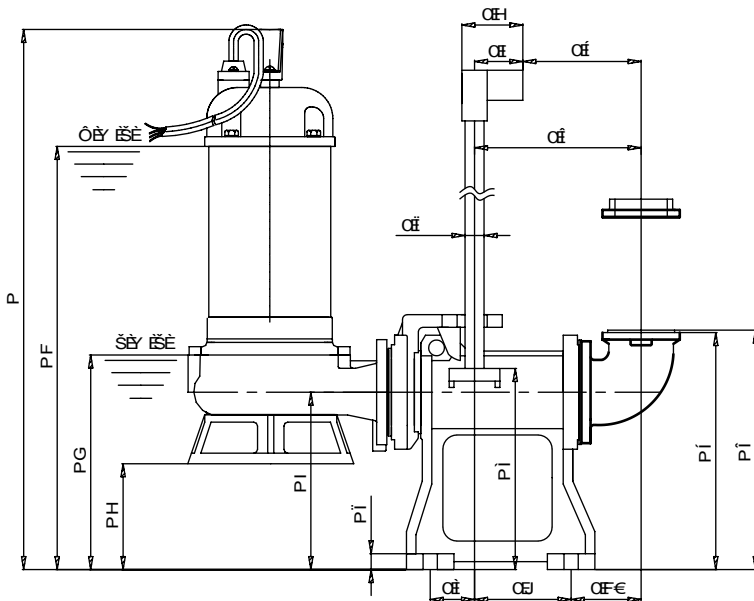
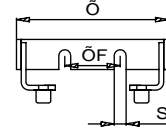
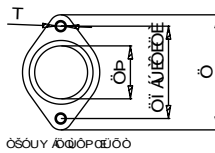
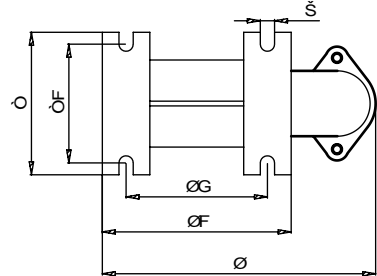
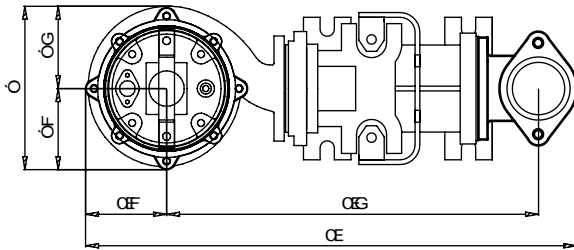
7 'K "@.7 cb]bi ci gFi bb]b['K UYf@/j Y`
@K "@.@:k YghFi bb]b['K UYf@/j Y`

K H. K Y][\hk]Aci hWUV`Y

8 A 9 B G € B 5 @ 8 F 5 K - B ;

A C 8 9 @ .) \$ f j \$ L 9 7 ! * ' % \$ 9 @ C K ' H M D 9

E I ≠ ? ' 8 - 6 7 < 5 F ; 9 7 C B B 9 7 H C B ' . E A ! , \$



8 A 9 B G € B ' : a a
K 9 ≠ < H . _ [

D-97 C B B 9 7 H C B ' H M D 9	
DH	BDH

A C 8 9 @	5	5%	5&	5'	5(5)	5*	5+	5,	5-	5%	6	6%	6&	8	8%	8&	8'	8(8)	8*	8+	8B	9	9%	:	
) \$ 9 7 ! * ' % \$) %	-)	(& &	, \$	* \$	% (& %	%)	+ %	- &	% \$	-)	-)	% \$	+((%)	(%)	(%)	(%)	(%)	(%)	(%)	(%)	(%)	(%)	(%)	(%)
, \$ 9 7 ! * ' % \$) %	-)	(& &	, \$	* \$	% (& %	%)	+ %	- &	% \$	-)	-)	% \$	+((%)	(%)	(%)	(%)	(%)	(%)	(%)	(%)	(%)	(%)	(%)	(%)

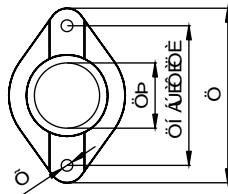
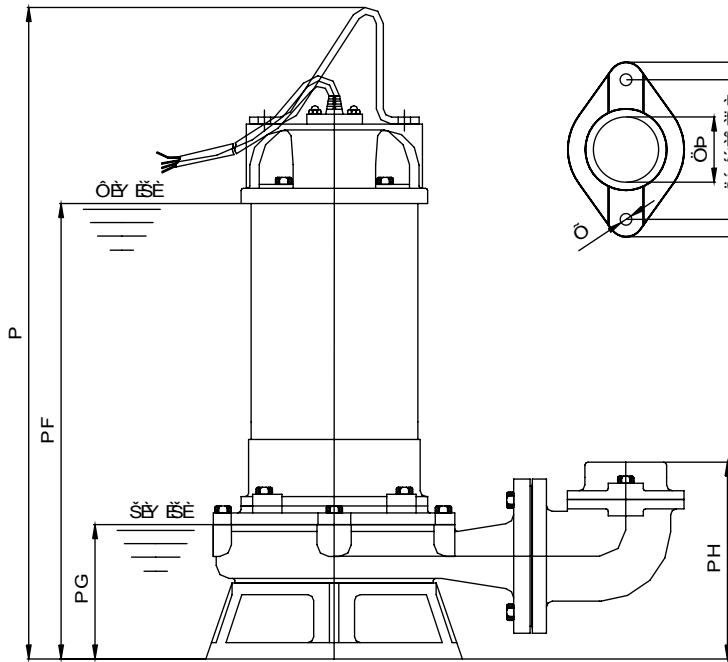
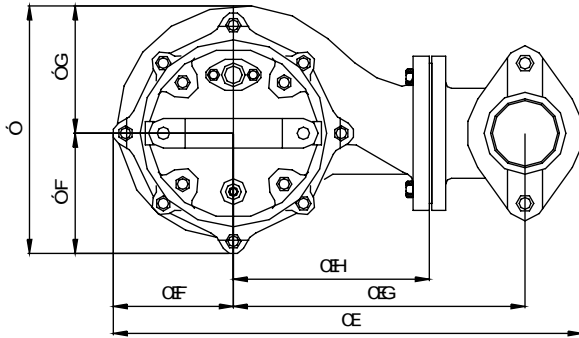
A C 8 9 @	: %	: &	; %	; %	<	< %	< &	< '	< (<)	< *	< +	< ,	< -	D	D %	=	>	?	@	A	K H	K H %	
) \$ 9 7 ! * ' % \$	& (\$	% \$	% %	+ \$	* % \$	(**	& ,	% &	& \$ &	&) &	& (& \$	& \$	& &	- \$	- \$	%	%	%	%	% &	G & ')	H & ' &	% -
, \$ 9 7 ! * ' % \$	& (\$	% \$	% %	+ \$	* % \$	(**	& ,	% &	& \$ &	&) &	& (& \$	& \$	& &	- \$	- \$	%	%	%	%	% &	G & ')	H & ' &	% -

7 ' K " @ . 7 c b h] b i c i g F i b b] b [' K U Y f @ j Y '
@ K " @ . @ k Y g h F i b b] b [' K U Y f @ j Y '

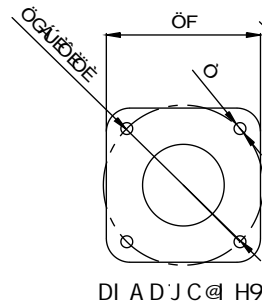
K H . K Y [\ h k] \ k i h W V Y
K H % E ' 8 ' 7 " K Y [\ h

8-A 9BG€ B5@8F5K -B;

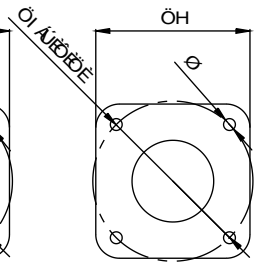
AC 89@G.) \$fj \$L97!*"&\$r*" \$'9@6CK 'HMD9



9@6CK
8-67 < 5F; 9'



DI A D J C @ H9'



AWWŠOUY
OUPPŌŌVŌP

8-A 9BG€ B : a a
K 9 < H. _ [

D-D97 C BB97 HC B 'HMD9	
DH	BDH

AC89@	5	5%	5&	5'	6	6%	6&	8	8%	8&	8'	8(8)	8B	9	:	;	<	<%	<&	<'	KH	
) \$97!*"&\$	(\$,	%\$,	&)\$	%,	8%+	%\$,	%\$-	9)\$	%\$	%)	%\$	%)	%\$&	&~	%&	A %\$	A,)*\$	'-\$	%0	%,	G')",	H')"+
, \$97!*"&\$	(\$,	%\$,	&)\$	%,	8%+	%\$,	%\$-	9)\$	%\$	%)	%\$	%)	%\$&	' ~	%&	A %\$	A,)*\$	'-\$	%0	%,	G')",	H')"+
) \$97!*" \$G	(\$,	%\$,	&)\$	%,	8%+	%\$,	%\$-	9)\$	%\$	%)	%\$	%)	%\$&	&~	%&	A %\$	A,	*\$\$	(' \$	%0	%,	G' -"-	!
) \$97!*" \$H	(\$,	%\$,	&)\$	%,	8%+	%\$,	%\$-	9)\$	%\$	%)	%\$	%)	%\$&	&~	%&	A %\$	A,), \$	(%\$	%0	%,	!	H' *"&
, \$97!*" \$G	(\$,	%\$,	&)\$	%,	8%+	%\$,	%\$-	9)\$	%\$	%)	%\$	%)	%\$&	' ~	%&	A %\$	A,	*\$\$	(' \$	%0	%,	G' -"-	!
, \$97!*" \$H	(\$,	%\$,	&)\$	%,	8%+	%\$,	%\$-	9)\$	%\$	%)	%\$	%)	%\$&	' ~	%&	A %\$	A,), \$	(%\$	%0	%,	!	H' *"&

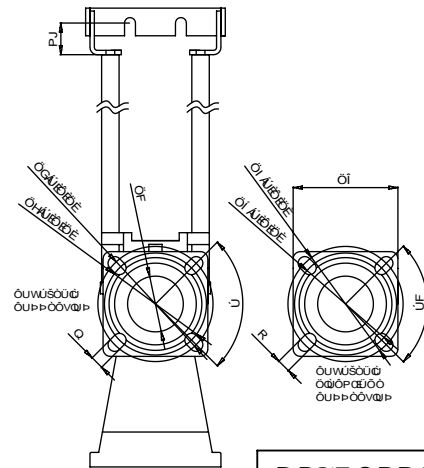
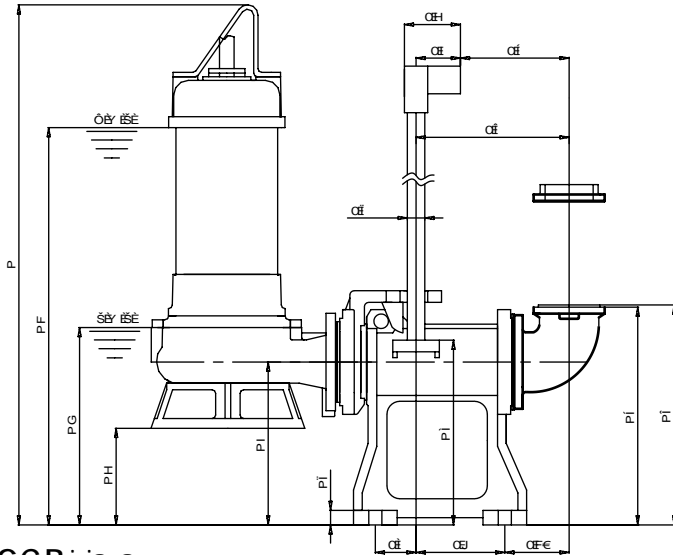
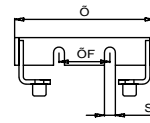
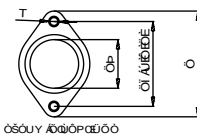
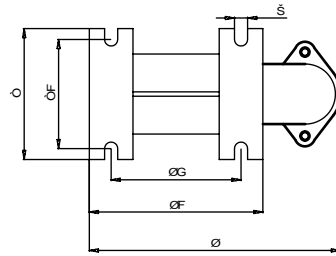
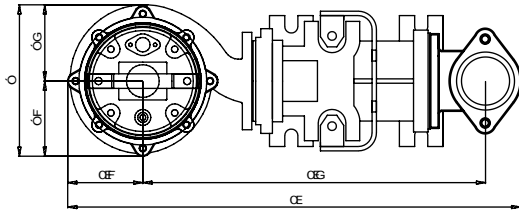
7 'K "@.7 cb]bi ci gFi bb]b['K UYf@j Y`
@K "@.@:k YghFi bb]b['K UYf@j Y`

K H. K Y[\hk]Aci hWUV`Y

8-A 9BG€B5@8F5K €B;

AC89@.) \$fj \$L97!*"&\$r*" '\$'9@€CK 'HMD9

EI €? '8-€7 <5F; 97CBB97H€B'.E A!, \$



D-€97CBB97H€B'HMD9	
DH	BDH

8-A 9BG€B'.a a
K 9€ <H. _[

AC89@	5	5%	5&	5'	5(5)	5*	5+	5,	5-	5%\$	6	6%	6&	8	8%	8&	8'	8(8)	8*	8+	8B	9	9%	:	
)\$97!*"&\$	*)-	%\$	(+	, \$	*\$	%()	8%()	%)+	%&'	-&	8%+	%\$	%\$	%\$	+(%)	%)	%)	%)	%(%\$	&''	%\$	%\$	')	\$
, \$97!*"&\$	*)-	%\$	(+	, \$	*\$	%()	8%()	%)+	%&'	-&	8%+	%\$	%\$	%\$	+(%)	%)	%)	%)	%(%\$	&''	%\$	%\$	')	\$
)\$97!*" \$G	*)-	%\$	(+	, \$	*\$	%()	8%()	%)+	%&'	-&	8%+	%\$	%\$	%\$	+(%)	%)	%)	%)	%(%\$	&''	%\$	%\$	')	\$
)\$97!*" \$H	*)-	%\$	(+	, \$	*\$	%()	8%()	%)+	%&'	-&	8%+	%\$	%\$	%\$	+(%)	%)	%)	%)	%(%\$	&''	%\$	%\$	')	\$
, \$97!*" \$G	*)-	%\$	(+	, \$	*\$	%()	8%()	%)+	%&'	-&	8%+	%\$	%\$	%\$	+(%)	%)	%)	%)	%(%\$	&''	%\$	%\$	')	\$
, \$97!*" \$H	*)-	%\$	(+	, \$	*\$	%()	8%()	%)+	%&'	-&	8%+	%\$	%\$	%\$	+(%)	%)	%)	%)	%(%\$	&''	%\$	%\$	')	\$

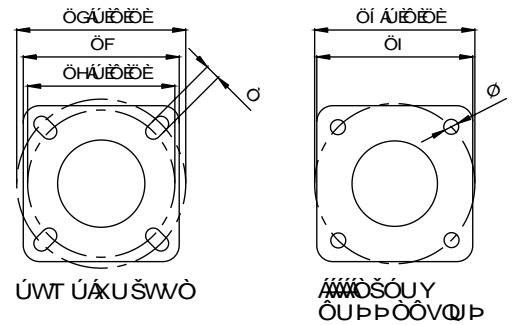
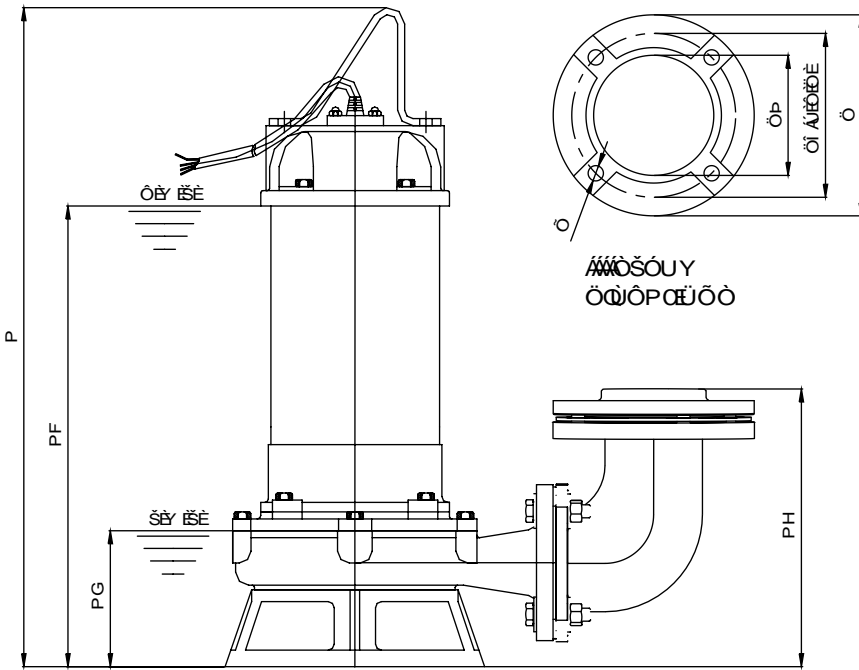
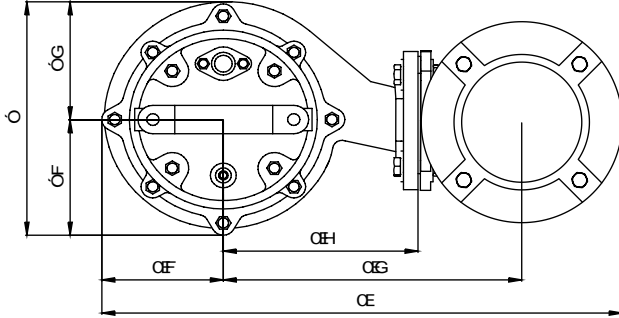
AC89@	:%	:&	;	; %	<	<%	<&	<'	<(<)	<*	<+	<,	<-	D	D%	=	>	?	@	A	KH	KH%	
)\$97!*"&\$	&(\$	%\$	%%	+\$	*-))&	&'	%&	8&\$	&)&	&)(8&	8&)	8&	-\$÷	-\$÷	%	%	%	%	%&	G') "	H') "+	% "
, \$97!*"&\$	&(\$	%\$	%%	+\$	*-))&	&'	%&	8&\$	&)&	&)(8&	8&)	8&	-\$÷	-\$÷	%	%	%	%	%&	G') "	H') "+	% "
)\$97!*" \$G	&(\$	%\$	%%	+\$	+'))*	&'	%&	8&\$	&)&	&)(8&	8&)	8&	-\$÷	-\$÷	%	%	%	%	%&	G' - "	!	% "
)\$97!*" \$H	&(\$	%\$	%%	+\$	+%))()	&'	%&	8&\$	&)&	&)(8&	8&)	8&	-\$÷	-\$÷	%	%	%	%	%&	!	H' * "&	% "
, \$97!*" \$G	&(\$	%\$	%%	+\$	+'))*	&'	%&	8&\$	&)&	&)(8&	8&)	8&	-\$÷	-\$÷	%	%	%	%	%&	G' - "	!	% "
, \$97!*" \$H	&(\$	%\$	%%	+\$	+%))()	&'	%&	8&\$	&)&	&)(8&	8&)	8&	-\$÷	-\$÷	%	%	%	%	%&	!	H' * "&	% "

7 'K "@.7 cb]bi ci gFi bb]b['K UYf@j Y'
@K "@.@k YghFi bb]b['K UYf@j Y'

K H. K Y][\hk]Aci hWUV Y
K H% E '8'7 "K Y][\h

8-A 9BG€ B5@8F5K -B;

A C 89@G., \$fV(\$L97!*") \$r "*"+) '9@C K 'HMD9



8-A 9BG€B : a a
K 9< <H. _[

D-97 C BB97 H€B 'HMD9

DH	BDH
----	-----

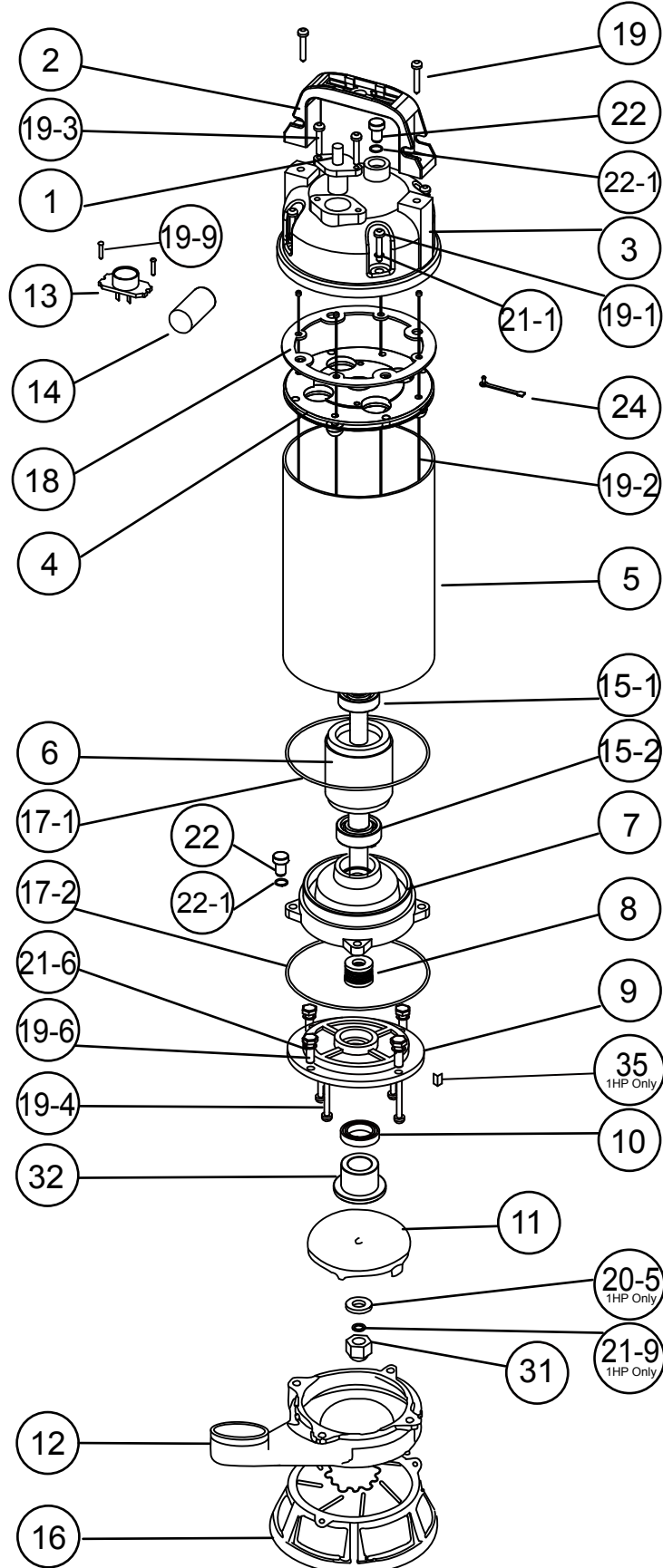
AC89@	5	5%	5&	5'	6	6%	6&	8	8%	8&	8'	8(8)	8*	8B	9	:	;	<	<%	<&	<'	KH
, \$97!*")\$	() +	%&	&)	% +	&&+	%&	%&	% (% (*	%&	%)	%&	%&	%&	' fi	%	A %&	%&	*%&	((% +	&' \$) &'&
%\$97!*")\$	() +	%&	&)	% +	&&+	%&	%&	% (% (*	%&	%)	%&	%&	%&	("	%	A %&	%&	*%&	((% +	&&)) &'&
, \$97!*"+)	() +	%&	&)	% +	&&+	%&	%&	% (% (*	%&	%)	%&	%&	%&	' fi	%	A %&	%&	*)\$	(,	% +	&' \$) - "&
%\$97!*"+)	() +	%&	&)	% +	&&+	%&	%&	% (% (*	%&	%)	%&	%&	%&	("	%	A %&	%&	*)\$	(,	% +	&&)) - "&

7 'K "@.7 cb]bi ci gFi bb]b['K UYf@j Y`
@K "@.@:k YghFi bb]b['K UYf@j Y`

K H. K Y[\ hk]A ci hWUV`Y

ASSEMBLY VIEW

MODELS : 50EC-6.05~10 (0.5~1HP)



PARTS LIST

MODELS : 50EC-6.05~10 (0.5~1HP)

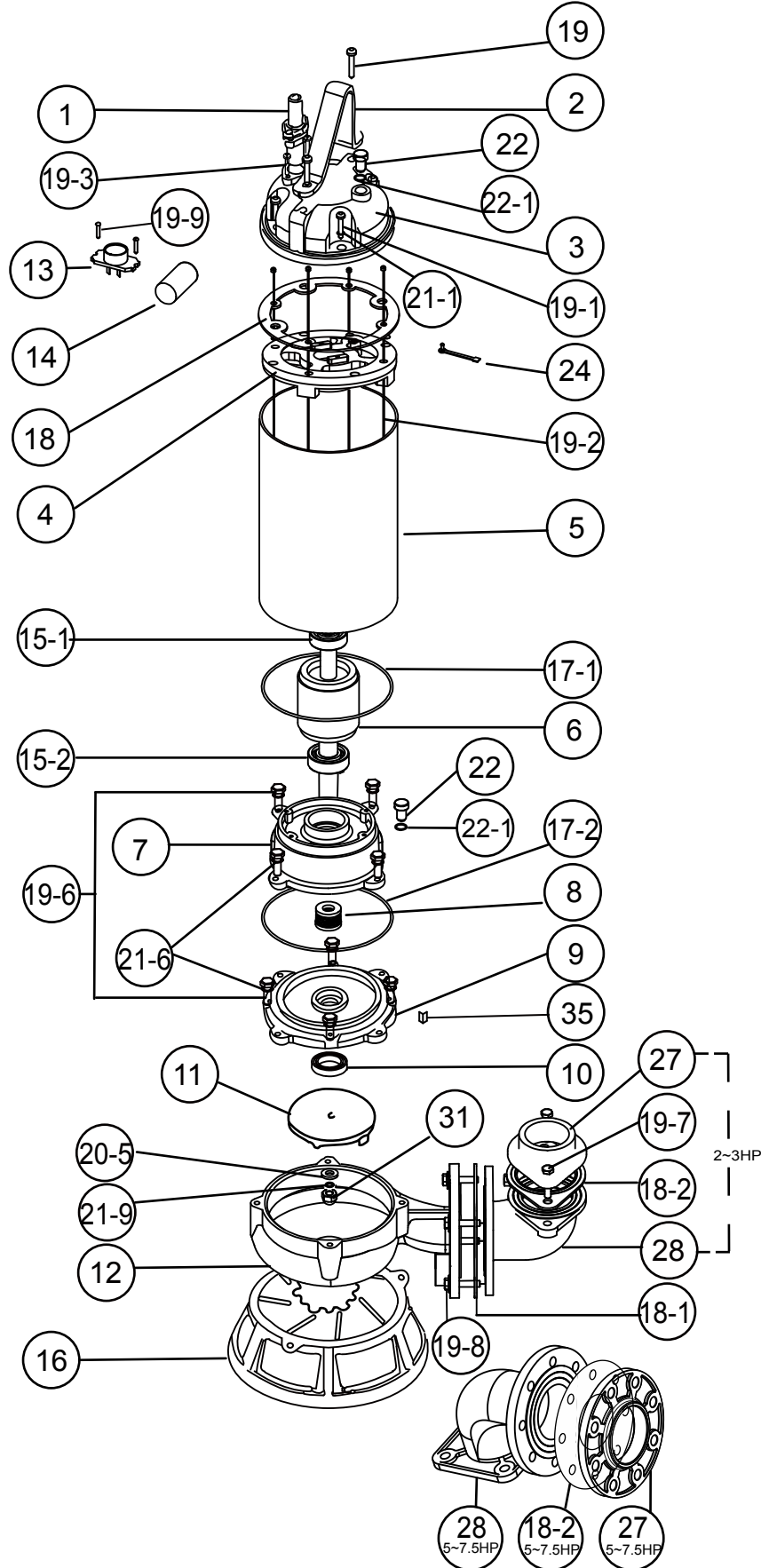
NO	Part	Material	Photo	NO	Part	Material	Photo
2	Handle (0.5~1HP)	Nylon 6		9	Seal Housing (0.5HP)	Nylon	
3	Motor Cover (0.5HP)	Nylon 66		9	Seal Housing (1HP)	EN-GJL-200	
3	Motor Cover (1HP)	EN-GJL-200		11	Impeller	EN-GJS-450 + Tungsten edge	
4	Bracket (0.5HP&1HP)	EN-GJL-200		12	Pump Casing (0.5~1HP)	EN-GJL-200	
7	Oil Chamber (0.5&1HP)	EN-GJL-200		16	Bottom Base	EN-GJS-450	

NO	Part	Material	NO	Part	Material
1	Cable	H07RN-F/SJTOW/STOW	19-3	Screw of cable gland	AISI 304
5	Motor Housing +Stator	AISI 304	19-4	Screw	AISI 304
6	Shaft with Rotor	AISI 410	19-6	Screw	AISI 304
8	Double Mechanical Seal	-	19-9	Screw of protector	Steel
10	Lip Seal	NBR	20-5	Washer of impeller	AISI 304
13	Protector (3 Phase)	KLIXON	21-1	Spring Washer of cover	AISI 304
14	Capacitor (1 Phase)	-	21-6	Spring Washer	AISI 304
15-1	Upper Bearing	NTN/TPI	21-9	Spring Washer of impeller	AISI 304
15-2	Lower Bearing	NTN/TPI	22	Oil Filler Plug	AISI 304
17-1 17-2	O-ring	NBR	22-1	O-ring of Oil Filler Plug	NBR
18	Gasket of motor	NBR	24	Wire and Screw	AISI 304
19	Screw of handle	AISI 304	31	Nut of impeller	AISI 304
19-1	Screw of motor cover	AISI 304	32	Shaft end sleeve	AISI 304
19-2	Long Screw of motor	Steel	35	Key	AISI 304

TPI is a family brand of NTN group.

ASSEMBLY VIEW

MODELS : 50(80)EC-6.20~30 / 80(100)EC-6.50~75 (2~7.5HP)



PARTS LIST

MODELS : 50(80)EC-6.20~30 / 80(100)EC-6.50~75 (2~7.5HP)

NO	Part	Material	Photo	NO	Part	Material	Photo
2	Handle (2~3HP&5~7.5HP)	ASTM A36		9	Seal Housing (2~3HP)	EN-GJL-200	
3	Motor Cover (2~3HP&5~7.5HP)	EN-GJL-200		9	Seal Housing (5~7.5HP)	EN-GJL-200	
4	Bracket (2~3HP)	EN-GJL-200		11	Impeller	EN-GJS-450 + Tungsten edge	
4	Bracket (5~7.5HP)	EN-GJL-200		12	Pump casing (2~3HP &5~7.5HP)	EN-GJL-200	
7	Oil Chamber (2~3HP)	EN-GJL-200		16	Bottom Base	EN-GJS-450	
7	Oil Chamber (5~7.5HP)	EN-GJL-200					

NO	Part	Material	NO	Part	Material
1	Cable	H07RN-F/SJTOW/STOW	19-3	Screw of cable gland	AISI 304
5	Motor Housing +Stator	AISI 304	19-6	Screw	AISI 304
6	Shaft with Rotor	AISI 410	19-7	Screw of flange	AISI 304
8	Double Mechanical Seal	-	19-8	Screw	AISI 304
10	Lip Seal	NBR	19-9	Screw of protector	Steel
13	Protector (3 Phase)	KLIXON	20-5	Washer of impeller	AISI 304
14	Capacitor (1 Phase)	-	21-1	Spring Washer of cover	AISI 304
15-1	Upper Bearing	NTN/TPI	21-6	Spring Washer	AISI 304
15-2	Lower Bearing	NTN/TPI	21-9	Spring Washer of impeller	AISI 304
17-1 17-2	O-ring	NBR	22	Oil Filler Plug	AISI 304
18	Gasket of motor	NBR	22-1	O-ring of Oil Filler Plug	NBR
18-1	Gasket of elbow	NBR	24	Wire and Screw	AISI 304
18-2	Gasket of flange	NBR	27	Flange	EN-GJL-200
19	Screw of handle	AISI 304	28	Elbow	EN-GJL-200
19-1	Screw of motor cover	AISI 304	31	Nut of impeller	AISI 304
19-2	Long Screw of motor	Steel	35	Key	AISI 304

TPI is a family brand of NTN group.