

2E-N SERIES - 1/40 HP

APPLICATIONS

Small submersible oil-filled pump with epoxy coated cast aluminum housing. For commercial, industrial and home applications including statuary fountains, water displays, air conditioners, machine tool coolants, and many other applications where liquid must be transferred or recirculated. This compact 300 GPH pump features a 1/4" MNPT discharge, 11.8' shut-off head capability, and screened inlet.

FEATURES

- Epoxy coated die-cast aluminum housing
- Oil-filled motor
- 11.8' maximum lift
- 100 watts
- 1/4" MNPT discharge
- Thermal overload protection
- For submersible use only



2E-N



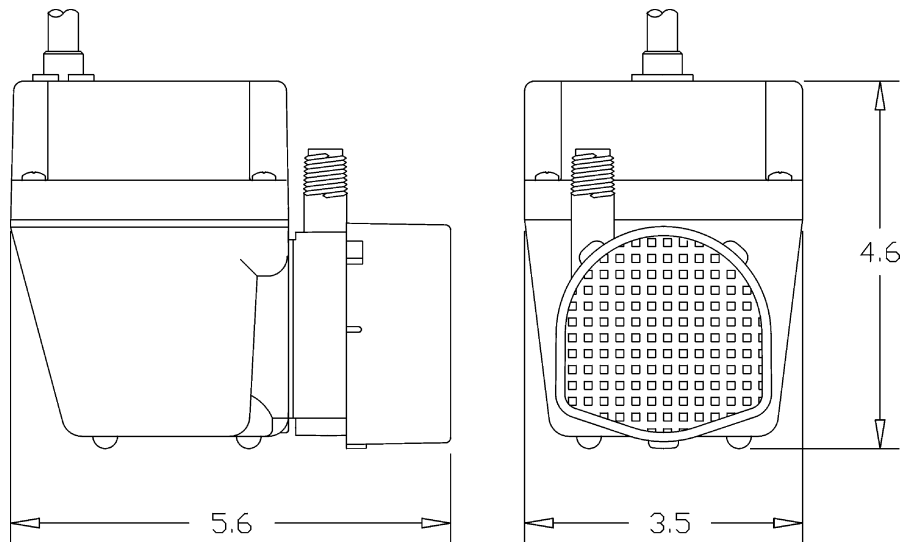
SERIES SPECIFICATIONS

Model No.	Item No.	Discharge Size	Listing	HP	Volts	Hertz	Amps	Watts	Performance (GPM@Head)				Shutoff		Cord Length (ft.)	Weight (lbs.)
									1'	3'	5'	10'	Ft.	P.S.I.		
2E-N	502103	1/4" MNPT	UL	1/40	115	60	1.7	100	300	255	205	70	11.8	5.1	6	4.67

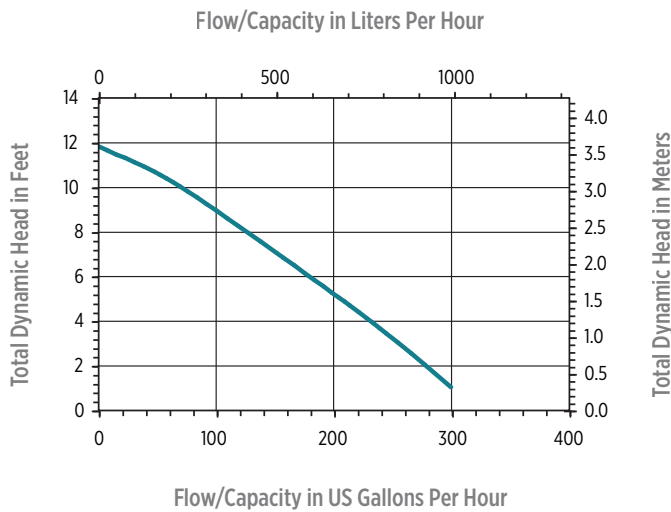
SMALL SUBMERSIBLE PUMPS

2E-N SERIES - 1/40 HP

ENGINEERING DATA



PERFORMANCE DATA



REPLACEMENT PARTS

Volute	102333
Impeller	102470
Screen	102909
Gasket	102601

