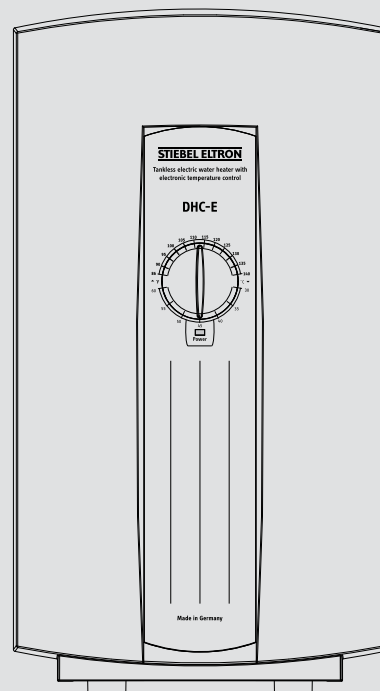


# OPERATION AND INSTALLATION OPERACIÓN E INSTALACIÓN UTILISATION ET INSTALLATION

ELECTRONICALLY CONTROLLED ELECTRIC TANKLESS WATER HEATER  
CALENTADOR INSTANTÁNEO CON CONTROLADO ELECTRÓNICA  
CHAUFFE-EAU INSTANTANÉ À GESTION ÉLECTRONIQUE

- » DHC-E 8/10
- » DHC-E 11 L
- » DHC-E 12



Conforms to ANSI/UL Std. 499  
Certified to CAN/CSA Std. E335-1 & E335-2-35

Conforme a ANSI/UL Std. 499  
Certificación con CAN/CSA Std. E335-1 & E335-2-35

Conforme à la norme ANSI/UL Std. 499  
Certifié à la norme CAN/CSA Std. E335-1 & E335-2-35



Tested and certified by WQA to NSF/ANSI 372  
for lead free compliance.

Probado y certificado por WQA NSF/ANSI 372 para  
el cumplimiento de las regulaciones sin plomo.

Testé et certifié par WQA à la NSF/ANSI 372 pour une  
utilisation sans plomb.

**STIEBEL ELTRON**

**OPERATION**

- 1. General information** \_\_\_\_\_ **2**
- 1.1 Safety information \_\_\_\_\_ 2
- 1.2 Other symbols in this document \_\_\_\_\_ 3
- 2. Safety** \_\_\_\_\_ **3**
- 2.1 Intended use \_\_\_\_\_ 3
- 2.2 General Information \_\_\_\_\_ 3
- 2.3 Safety Precautions \_\_\_\_\_ 3
- 2.4 Test symbols \_\_\_\_\_ 3
- 3. Register your product** \_\_\_\_\_ **4**
- 4. General** \_\_\_\_\_ **4**
- 5. Troubleshooting** \_\_\_\_\_ **4**

**INSTALLATION**

- 6. Mounting the appliance** \_\_\_\_\_ **5**
- 6.1 Application \_\_\_\_\_ 5
- 6.2 Mounting \_\_\_\_\_ 5
- 7. Water connections** \_\_\_\_\_ **6**
- 8. Electrical connection** \_\_\_\_\_ **6**
- 8.1 DHC-E 8/10 - Appliance with output power options \_\_\_\_\_ 6
- 8.2 DHC-E 11 L \_\_\_\_\_ 7
- 8.3 Temperature setting/anti-scalding protection \_\_\_\_\_ 7
- 8.4 Terminal block \_\_\_\_\_ 7
- 9. Commissioning** \_\_\_\_\_ **7**
- 9.1 Appliance handover \_\_\_\_\_ 7
- 10. Troubleshooting** \_\_\_\_\_ **7**
- 10.1 Diagnostic lights \_\_\_\_\_ 7
- 10.2 Fault table \_\_\_\_\_ 7
- 10.3 Resetting the safety thermal cutout \_\_\_\_\_ 8
- 11. Normal maintenance** \_\_\_\_\_ **8**
- 12. Technical Data** \_\_\_\_\_ **8**
- 12.1 Dimensions diagram \_\_\_\_\_ 8
- 12.2 Wiring diagram \_\_\_\_\_ 9
- 12.3 Maximum temperature increase above ambient water temperature \_\_\_\_\_ 10
- 12.4 Data table \_\_\_\_\_ 11
- 13. Spare parts** \_\_\_\_\_ **12**
- 14. Warranty** \_\_\_\_\_ **13**

# OPERATION

## 1. General information



**Note**

Read these instructions carefully before using the appliance and familiarize yourself with its functions. Keep these instructions safe. Pass on the instructions to a new user if required.

### 1.1 Safety information

#### 1.1.1 Structure of safety information



**KEYWORD: Type of risk**

Here, possible consequences are listed that may result from not observing the safety information.

► Steps to prevent the risk are listed.

#### 1.1.2 Symbols. type of risk

Symbol	Type of risk
	Injury
	Electrocution
	Burns or scalding

#### 1.1.3 Keywords

KEYWORD	Description
DANGER	If this information is not observed, it will result in serious injury or death.
WARNING	If this information is not observed, it can result in serious injury or death.
CAUTION	If this information is not observed, it can lead to medium or minor injury.

1.2 Other symbols in this document



**Note**

Notes are bordered by horizontal lines above and below the text. General information is identified by the symbol shown on the left.

► Read these notes carefully.

Symbol	
	Damage to the appliance and environment
	Appliance disposal

► This symbol indicates that you have to do something. The action you need to take is described step by step.

2. Safety

Observe the following safety information and regulations.

Operate the appliance only when fully installed and with all safety equipment fitted.

2.1 Intended use

The appliance is intended for heating domestic hot water and can supply several draw-off points.

Any other use beyond that described shall be deemed inappropriate.

Observation of these instructions is also part of the correct use of this appliance.

2.2 General Information

Read this entire manual. Failure to follow all the guides, instructions and rules could cause personal injury or property damage. Improper installation, adjustment, alteration, service and use of this appliance can result in serious injury.

This appliance must be installed by a licensed electrician and plumber. The installation must comply with all national, state and local plumbing and electric codes. Proper installation is the responsibility of the installer. Failure to comply with the installation and operating instructions or improper use voids the warranty.

Save these instructions for future reference. Installer should leave these instructions with the consumer.

If you have any questions regarding the installation, use or operation of this water heater, or if you need any additional installation manuals, please call our technical service line, see last side.

2.3 Safety Precautions



**DANGER: Injury**

Please read and follow these instructions.

Failure to follow these instructions could result in serious personal injury or death.



**Damage to the appliance and the environment**

The appliance must be installed by a licensed electrician and plumber. The installation must comply with all national, state and local plumbing and electric codes. Service of the appliance must be performed by qualified service TECHNICIANS.



**DANGER: Electrocutation**

Before proceeding with any installation, adjustment, alteration, or service of this appliance all circuit breakers and disconnect switches servicing the appliance must be turned off. Failure to do so could result in serious personal injury or death.



**DANGER: Electrocutation**

Never remove the appliance's cover unless the electricity servicing the appliance is turned off. Failure to do so could result in personal injury or death.



**DANGER: Electrocutation**

The appliance must be properly grounded. Failure to electrically ground the product could result in serious personal injury or death.



**DANGER: Burns**

Water temperatures over 125 °F (52 °C) can cause severe burns instantly or death from scalding. A hot water scalding potential exists if the thermostat on the appliance is set too high. Households with small children, disabled or elderly persons may require that the thermostat be set at 113 °F (45 °C) or lower to prevent possible injury from hot water.




**WARNING: Injury**

Where children or persons with limited physical, sensory or mental capabilities are to be allowed to control this appliance, ensure that this will only happen under supervision or after appropriate instructions by a person responsible for their safety. Children should be supervised to ensure that they never play with the appliance.

2.4 Test symbols

See type plate on the appliance.

### 3. Register your product

 You must register this product within 90 days of purchase on our web site in order to activate the standard warranty or to be eligible for the extended warranty. Go to our web site at [www.stiebel-eltron-usa.com](http://www.stiebel-eltron-usa.com) and click on "Register Your Product."

Before beginning the registration process, we suggest that you gather the necessary information which will be as follows:

Type, Example: DHC-E

Number listed after "Nr."

Place of Purchase

Purchase Date

First & Last Name

Email address

Physical Address

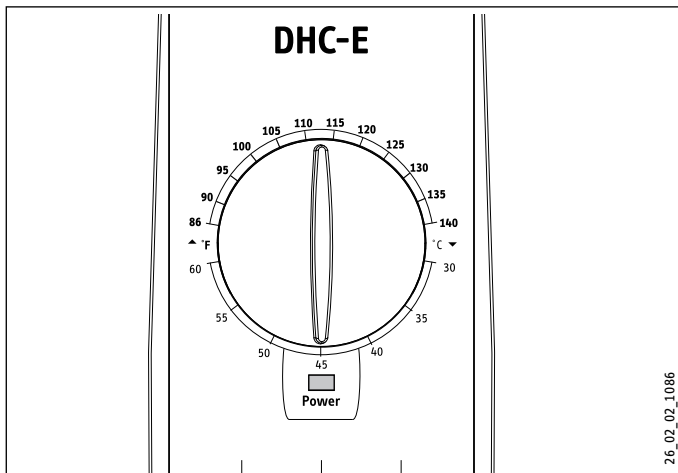
Phone Number

Installation Date


If you have any questions concerning the registration process or warranty options, please contact Stiebel Eltron USA directly at 800.582.8423.

### 4. General

The tankless water heater differs from conventional storage type water heaters in several ways. It does not store hot water. Instead, water is heated instantaneously as it flows through the appliance. Due to the absence of stand-by losses, the appliance offers greater energy efficiency than storage type water heaters.



The input of heat into the water is electronically controlled. The appliance will deliver any water temperature between 86 °F (30 °C) and 140 °F (60 °C). Please set the desired temperature using the knob on the front cover.

 **Note:** For reasons of appliance efficiency and durability (scaling), the optimum temperature setting lies between 86 °F (30 °C) and 120 °F (50 °C).

In case the "Power" light is flashing while the appliance operates, the water flow rate exceeds the heating capacity of the appliance. Reduce the hot water flow rate in order to let the appliance achieve the set point temperature. The maximum temperature is electronically limited to 140 °F (60 °C). In case you have questions regarding the way you plan to use the appliance, please call our technical service line, see last side.

### 5. Troubleshooting

Symptom	Possible Cause	Solution
No hot water	not enough flow rate to activate appliance	clean faucet aerator or shower head
Water not hot enough	water flow too high	reduce water flow rate until light on front cover stops blinking

If you cannot remedy the fault, notify the contractor who installed the appliance. To facilitate and speed up your enquiry, please provide the serial number from the type plate (000000-0000-000000).

# INSTALLATION

## MOUNTING THE APPLIANCE

# INSTALLATION

## 6. Mounting the appliance

### 6.1 Application

One appliance can be used for the following applications:

one or multiple hand washing sinks

one kitchen sink

cabins with flow restriction at shower head.

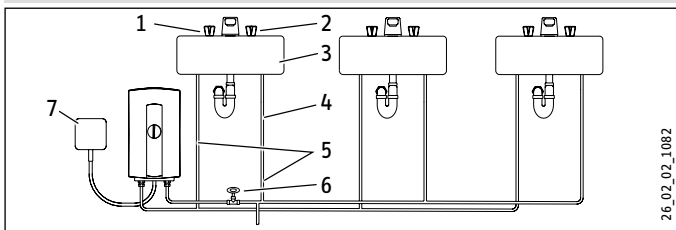
A combination of two appliance can be used for whole apartment and house applications. Please contact STIEBEL ELTRON for special installation instructions.

All areas with a ground water temperature likely to exceed 65 °F (18 °C) year round:

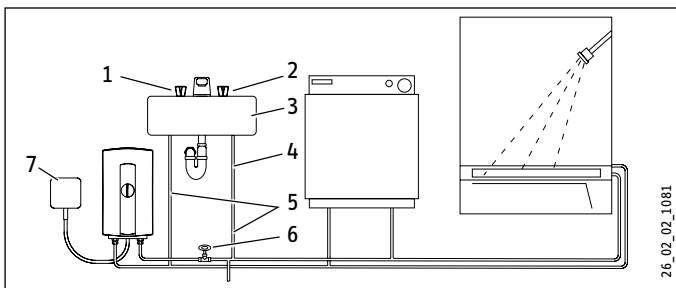
Whole apartment or house



**CAUTION: Electrocutation**  
Unit must be installed in a vertical position with the water fittings pointing downward. In this position the unit is splashproof, so that no water can soak in.



26\_02\_02\_1082

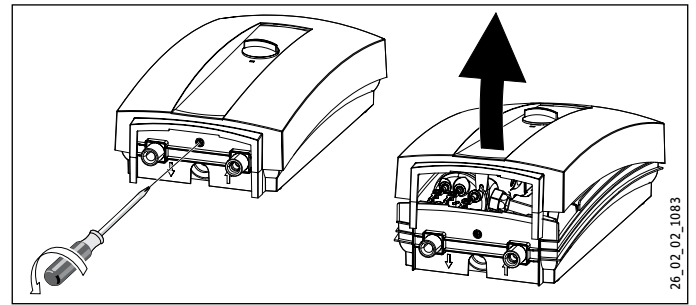


26\_02\_02\_1081

- 1 Hot valve (left)
- 2 Cold valve (right)
- 3 Sink
- 4 1/2" main pipe
- 5 Water supply line for faucet installation
- 6 Shut-off valve
- 7 Electrical junction box

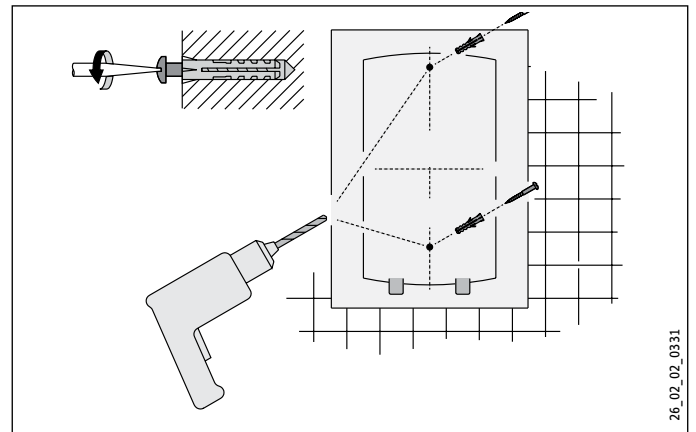
### 6.2 Mounting

- ▶ Install appliance as close as possible to the main hot water draw-off points.
- ▶ Install appliance in a frost free area. If frost may occur, remove appliance before freezing temperatures set in.
- ▶ Leave a minimum of 5" (125 mm) of clearance on all sides for servicing.

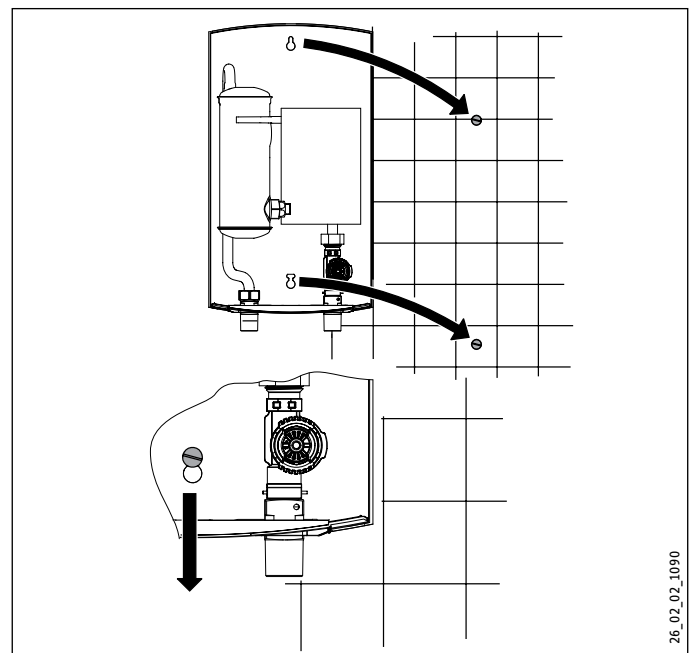


26\_02\_02\_1083

- ▶ Remove plastic cover.



26\_02\_02\_0331



26\_02\_02\_1090

- ▶ Screw the screws into the wall and hang the appliance. Screws and plastic wall anchors for mounting on masonry or wood are provided.
- ▶ Secure the screws.

# INSTALLATION

## WATER CONNECTIONS

### 7. Water connections

**! Damage to the appliance and the environment:** Excessive heat from soldering on copper pipes near the DHC may cause damage.

- ▶ All plumbing work must comply with national and applicable state and local plumbing codes.
- ▶ Notice for Australia / New Zealand: The installation shall comply with AS/NZS 3500.4.
- ▶ A pressure reducing valve must be installed if the cold water supply pressure exceeds 150 psi (10 bar).
- ▶ Make certain that the cold water supply line has been flushed to remove any scale and dirt.
- ▶ Install isolating valve in cold water line as shown in illustration "Mounting the appliance". This allows the appliance to be isolated for maintenance purposes.
- ▶ Cold water connection (inlet) is on the right side of the appliance, hot water connection (outlet) is on the left side of appliance.
- ▶ Tankless water heaters such as the DHC-E are not required to be equipped with a Pressure and Temperature Relief Valve (P&T). If the local inspector will not pass the installation without a P&T, it should be installed on the hot water outlet side of appliance.
- ▶ The appliance is designed for connection to copper tubing, PEX tubing or a braided stainless steel hose with a 1/2" NPT female tapered thread. If soldering near the appliance is necessary, please direct the flame away from the plastic housing of the appliance in order to avoid damage.
- ▶ When all plumbing work is completed, check for leaks and take corrective action before proceeding.

### 8. Electrical connection

**! DANGER: Electrocutation**  
Carry out all electrical connection and installation work in accordance with relevant regulations.

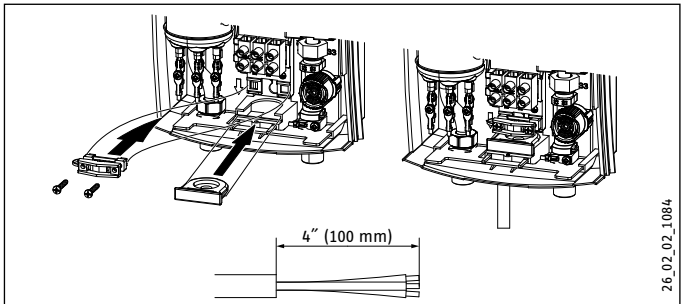
**! DANGER: Electrocutation**  
Only use a permanent connection to the power supply. The appliance must be able to be separated from the power supply by an isolator that disconnects all poles with at least 1/8" (3 mm) contact separation.

**! Damage to the appliance and the environment:** Observe the type plate. The specified voltage must match the mains voltage.

**! DANGER: Electrocutation**  
Before beginning any work on the electric installation, be sure that main breaker panel switch is "off" to avoid any danger of electric shock. All mounting and plumbing must be completed before proceeding with electrical hook-up. Where required by local, state or national electrical codes the circuit should be equipped with a "ground fault interrupter".

**! DANGER: Electrocutation**  
As with any electric appliance, failure to electrically ground appliance may result in serious injury or death.

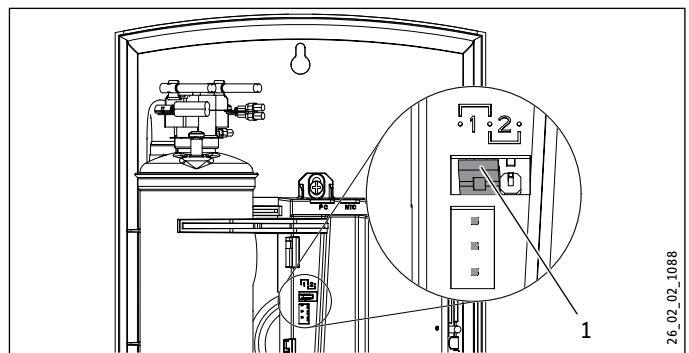
- ▶ The appliance should be connected to a properly grounded dedicated branch circuit of proper voltage rating. In installations with several appliances, each appliance requires an independent circuit. Please refer to the technical data table for the correct wire and circuit breaker size.



- ▶ The wire must be fed through the rubber seal located between the hot and cold water connections. Then feed wires through strain relief clamp and tighten clamp down on wire. The „live“ wires must be connected to the slots on the terminal block marked L and L (L and N). The ground wire must be connected to slot marked with the ground symbol. Strain relief clamp with screws and rubber seal are provided.

#### 8.1 DHC-E 8/10 - Appliance with output power options

For the DHC-E 8/10 instantaneous water heater, the output power is adjustable in 2 stages. In its delivered condition the appliance is set to 7.2 kW @ 240 V.



1 coding plug

If the appliance should be installed with a different output power, take the following steps:

- ▶ Insert the coding plug to the desired performance.

Stage 1	208 V	220 V	230 V	240 V
	5.4 kW	6.0 kW	6.6 kW	7.2 kW

Stage 2	208 V	220 V	230 V	240 V
	7.2 kW	8.1 kW	8.8 kW	9.6 kW

- ▶ Mark the selected output power and voltage on the type plate with a permanent marker.

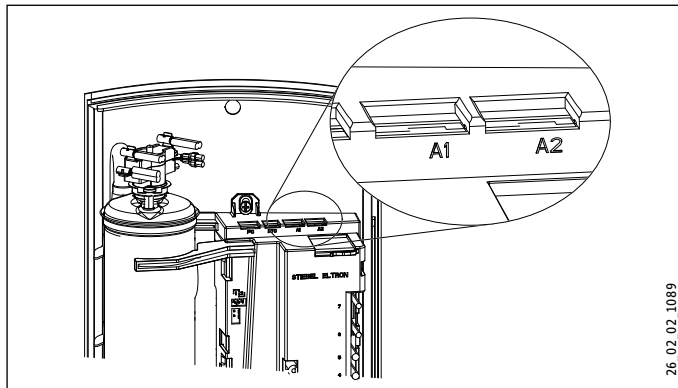
# INSTALLATION

## COMMISSIONING

### 8.2 DHC-E 11 L

The DHC-E 11 L is only designed for a 208 V or 220 V connection. Do not connect to a 120 V or a 230–240 V electrical service.

### 8.3 Temperature setting/anti-scalding protection



- ▶ Connect the lead of the electronic temperature control to position “A1” in order to get the maximum outlet temperature of 140 °F (60 °C).

The maximum temperature can be limited to 109 °F (43 °C):

- ▶ Connect the lead of the electronic temperature control to position “A2”.
- ▶ Reinstall the plastic cover.

### 8.4 Terminal block

Consult the chart below for the recommended torque amounts on the terminal block screws.

Screw Size (mm)	Min. Torque (N•cm)	Min. Torque (lbf•in)
M6	200–250	17.7–22.1

Using the proper torque specifications to secure wire to the wiring block helps to avoid personal loss or property damage.

## 9. Commissioning



**DANGER: Electrocutation**  
Commissioning must only be carried out by an authorized contractor in accordance with safety regulations.



**Damage to the appliance and the environment:**  
Open hot water faucet for a few minutes until water flow is continuous and all air is purged from water pipes. The appliance’s plastic cover must be installed before the circuit breaker is turned on.

- ▶ Turn on circuit breaker to bring electrical power to the appliance.
- ▶ Turn the temperature selector clockwise and anti-clockwise, to calibrate the temperature selector.
- ▶ Adjust the water temperature to the desired level using the knob on the front cover of the appliance.
- ▶ Turn on hot water and wait twenty seconds until temperature has stabilized.

- ▶ Check the water temperature with your hand and make sure that it does not feel too hot. Reduce temperature if this is necessary. A setting of 108–116 °F (42–47 °C) is recommended for most applications.
- ▶ Explain to the user how the appliance works and familiarise him or her with its use.
- ▶ Advise the user about possible hazards (hot water temperature up to 140 °F (60 °C)). Hand over these instructions, to be kept for future reference.
- ▶ A setting of 108–116 °F (42–47 °C) is recommended for most applications.

### 9.1 Appliance handover

Explain the functions of the appliance to the user. Draw special attention to the safety information. Hand the operating and installation instructions to the user.

## 10. Troubleshooting



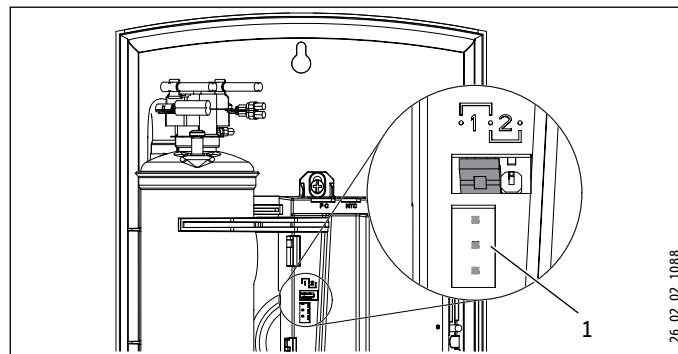
**DANGER: Electrocutation**  
To test the appliance, it must be supplied with power.

### 10.1 Diagnostic lights

Display options



- red illuminates in case of faults
- yellow illuminates when the appliance is heating water
- green flashing: The appliance is supplied with power



1 LED diagnostic “traffic lights”

### 10.2 Fault table

Symptom	Possible Cause	Solution
No hot water	circuit breaker off	turn circuit breaker on
	safety thermal cut-out tripped	reset thermal cut-out
	not enough flow rate to activate appliance	clean filter screen at appliance clean faucet aerator or shower head
Not enough hot water	filter screen clogged	clean filter screen at appliance
Water not hot enough	water flow too high	reduce water flow rate until light on front cover stops blinking
		supply correct voltage to appliance

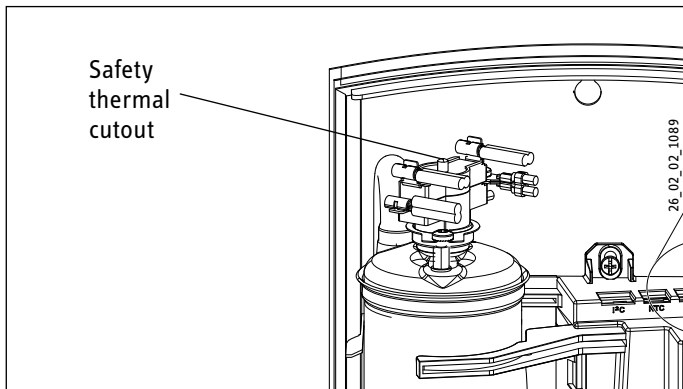
- ▶ If you are not able to resolve a problem please contact us, (see rear cover), before removing the appliance from the wall. STIEBEL ELTRON is happy to provide technical assistance. In most instances, we can resolve the problem over the phone.

### 10.3 Resetting the safety thermal cutout



#### **DANGER: Electrocutation**

Do not attempt to reset the safety thermal cutout of this water heater unless power to the unit has been completely shut off at the circuit breakers.



The safety thermal cutout on the DHC-E is designed to cut off electrical power to the heating elements if water of too high a temperature is encountered. When the safety cutout has tripped, it must be reset manually.

To reset the safety cutout, use the following procedure:

- ▶ Turn off the circuit breaker attached to the water heater
- ▶ Remove the front cover of the water heater
- ▶ Identify the safety thermal cutout on the top of the copper heating canister. The button at the top is the reset button.
- ▶ Press down on the button, take note of whether it clicks or not when pressed.

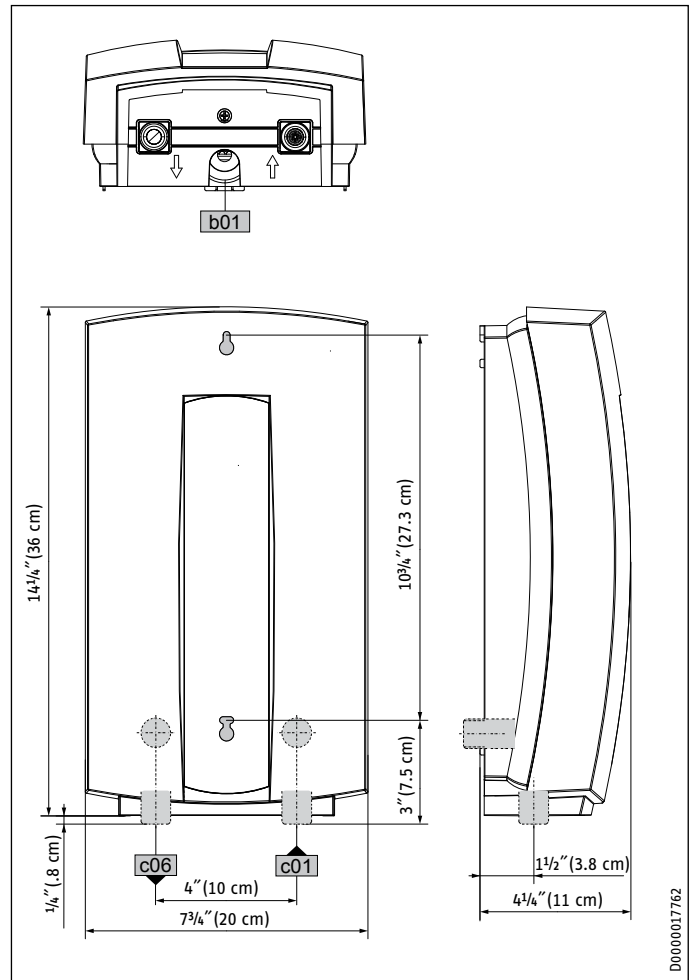
## 11. Normal maintenance

STIEBEL ELTRON tankless water heaters are designed for a very long service life. Actual life expectancy will vary with water quality and use. The appliance itself does not require any regular maintenance.

However, to ensure consistent water flow, it is recommended to periodically remove scale and dirt that may build up at the aerator of the faucet(s), the filter screen in the appliance, or in the shower head.

## 12. Technical Data

### 12.1 Dimensions diagram



b01	Electrical cable entry	
c01	cold water inlet	1/2" NPT
c06	hot water outlet	1/2" NPT



# INSTALLATION TECHNICAL DATA

## 12.2 Wiring diagram

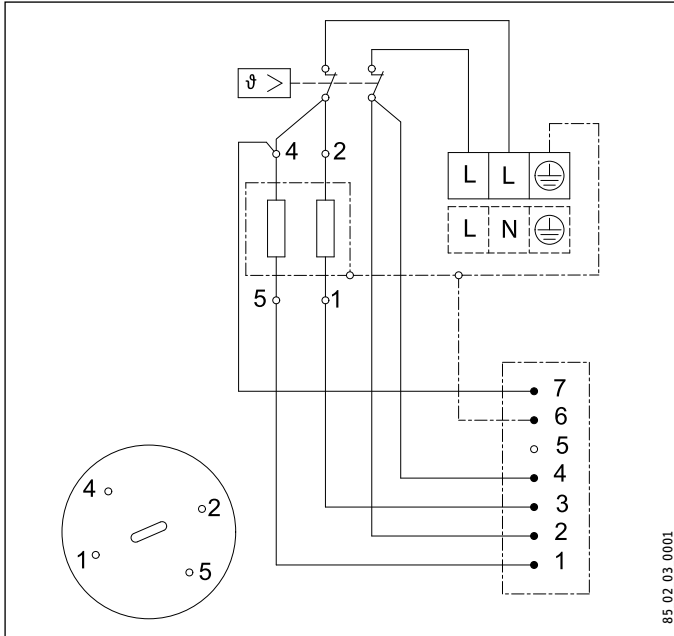
DHC-E 8/10



2/GRD ~ 208 / 240V



1/N/PE ~ 220 / 230 / 240V



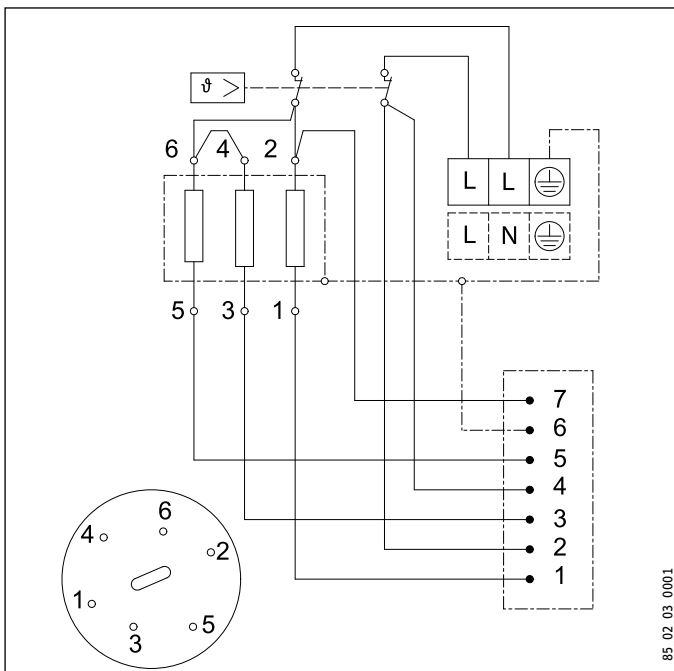
DHC-E 11 L



2/GRD ~ 208 V



1/N/PE ~ 220 V



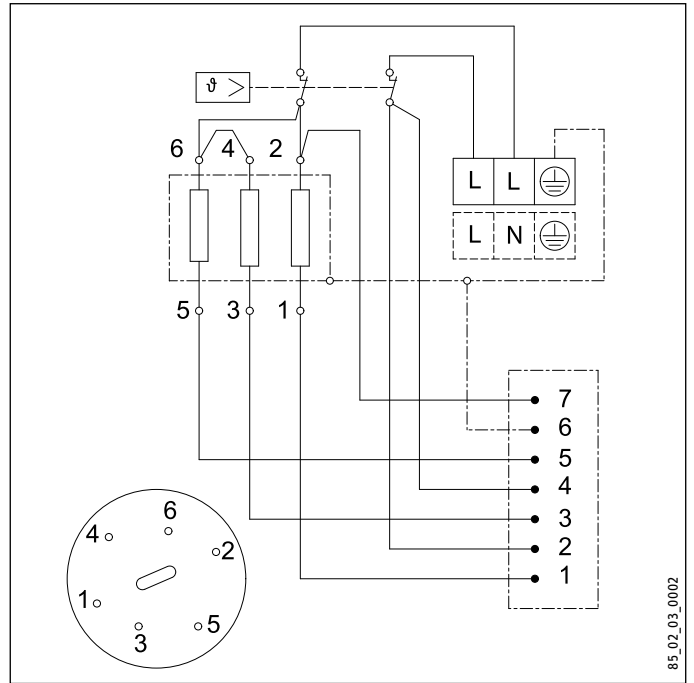
DHC-E 12



2/GRD ~ 208 / 240V



1/N/PE ~ 220 / 230 / 240V



# INSTALLATION TECHNICAL DATA

## 12.3 Maximum temperature increase above ambient water temperature

### Hot water flow rate [ gpm ]

Hot water outlet temperature 104°F													
Cold water inlet temperature		°F	39	50	59	68	77	86	95	104	113	122	131
DHC-E 8/10	5.4 kW @ 208 V	0.57	0.68	0.82	1.02	1.36	2.04	4.09	-	-	-	-	-
	7.2 kW @ 240 V	0.76	0.91	1.09	1.36	1.82	2.72	5.45	-	-	-	-	-
	7.2 kW @ 208 V	0.76	0.91	1.09	1.36	1.82	2.72	5.45	-	-	-	-	-
	9.6 kW @ 240 V	1.01	1.21	1.45	1.82	2.42	3.63	6.61	-	-	-	-	-
DHC-E 11 L	10.4 kW @ 208 V	1.09	1.31	1.57	1.97	2.62	3.74	6.61	-	-	-	-	-
	11.6 kW @ 220 V	1.22	1.47	1.76	2.2	2.93	4.18	6.61	-	-	-	-	-
DHC-E 12	9 kW @ 208 V	0.95	1.14	1.36	1.70	2.27	3.23	6.47	-	-	-	-	-
	12 kW @ 240 V	1.26	1.51	1.82	2.27	3.03	4.31	6.61	-	-	-	-	-

Hot water outlet temperature 113°F													
Cold water inlet temperature		°F	39	50	59	68	77	86	95	104	113	122	131
DHC-E 8/10	5.4 kW @ 208 V	0.50	0.58	0.68	0.82	1.02	1.36	2.04	4.09	-	-	-	-
	7.2 kW @ 240 V	0.66	0.78	0.91	1.09	1.36	1.82	2.72	5.45	-	-	-	-
	7.2 kW @ 208 V	0.66	0.78	0.91	1.09	1.36	1.82	2.72	5.45	-	-	-	-
	9.6 kW @ 240 V	0.89	1.04	1.21	1.45	1.82	2.42	3.63	6.61	-	-	-	-
DHC-E 11 L	10.4 kW @ 208 V	0.96	1.12	1.31	1.57	1.97	2.49	3.74	6.61	-	-	-	-
	11.6 kW @ 220 V	1.07	1.26	1.47	1.76	2.2	2.79	4.18	6.61	-	-	-	-
DHC-E 12	9 kW @ 208 V	0.83	0.97	1.14	1.36	1.70	2.16	3.23	6.47	-	-	-	-
	12 kW @ 240 V	1.11	1.30	1.51	1.82	2.27	2.88	4.31	6.61	-	-	-	-

Hot water outlet temperature 140°F													
Cold water inlet temperature		°F	39	50	59	68	77	86	95	104	113	122	131
DHC-E 8/10	5.4 kW @ 208 V	0.36	0.41	0.45	0.51	0.58	0.68	0.82	1.02	1.36	2.04	4.09	-
	7.2 kW @ 240 V	0.49	0.54	0.61	0.68	0.78	0.91	1.09	1.36	1.82	2.72	5.45	-
	7.2 kW @ 208 V	0.49	0.54	0.61	0.68	0.78	0.91	1.09	1.36	1.82	2.72	5.45	-
	9.6 kW @ 240 V	0.65	0.73	0.81	0.91	1.04	1.21	1.45	1.82	2.42	3.63	6.61	-
DHC-E 11 L	10.4 kW @ 208 V	0.70	0.79	0.87	0.98	1.12	1.25	1.50	1.87	2.49	3.74	6.61	-
	11.6 kW @ 220 V	0.78	0.88	0.98	1.1	1.26	1.39	1.67	2.09	2.79	4.18	6.61	-
DHC-E 12	9 kW @ 208 V	0.61	0.68	0.76	0.85	0.97	1.08	1.29	1.62	2.16	3.23	6.47	-
	12 kW @ 240 V	0.81	0.91	1.01	1.14	1.30	1.44	1.73	2.16	2.88	4.31	6.61	-

### Hot water flow rate [ l/min ]

Hot water outlet temperature 40°C													
Cold water inlet temperature		°C	4	10	15	20	25	30	35	40	45	50	55
DHC-E 8/10	5.4 kW @ 208 V	2.15	2.58	3.09	3.87	5.16	7.73	15.47	-	-	-	-	-
	7.2 kW @ 240 V	2.86	3.44	4.12	5.16	6.87	10.31	20.62	-	-	-	-	-
	7.2 kW @ 208 V	2.86	3.44	4.12	5.16	6.87	10.31	20.62	-	-	-	-	-
	9.6 kW @ 240 V	3.82	4.58	5.50	6.87	9.16	13.75	25.00	-	-	-	-	-
DHC-E 11 L	10.4 kW @ 208 V	4.13	4.96	5.96	7.45	9.93	14.15	25.02	-	-	-	-	-
	11.6 kW @ 220 V	4.62	5.55	6.66	8.33	11.11	15.83	25.02	-	-	-	-	-
DHC-E 12	9 kW @ 208 V	3.58	4.30	5.16	6.44	8.59	12.24	24.49	-	-	-	-	-
	12 kW @ 240 V	4.77	5.73	6.87	8.59	11.46	16.32	25.00	-	-	-	-	-

Hot water outlet temperature 45°C													
Cold water inlet temperature		°C	4	10	15	20	25	30	35	40	45	50	55
DHC-E 8/10	5.4 kW @ 208 V	1.89	2.21	2.58	3.09	3.87	5.16	7.73	15.47	-	-	-	-
	7.2 kW @ 240 V	2.51	2.95	3.44	4.12	5.16	6.87	10.31	20.62	-	-	-	-
	7.2 kW @ 208 V	2.51	2.95	3.44	4.12	5.16	6.87	10.31	20.62	-	-	-	-
	9.6 kW @ 240 V	3.35	3.93	4.58	5.50	6.87	9.16	13.75	25.00	-	-	-	-
DHC-E 11 L	10.4 kW @ 208 V	3.62	4.26	4.96	5.96	7.45	9.43	14.15	25.02	-	-	-	-
	11.6 kW @ 220 V	4.05	4.76	5.55	6.66	8.33	10.55	15.83	25.02	-	-	-	-
DHC-E 12	9 kW @ 208 V	3.14	3.68	4.30	5.16	6.44	8.16	12.24	24.49	-	-	-	-
	12 kW @ 240 V	4.19	4.91	5.73	6.87	8.59	10.88	16.32	25.00	-	-	-	-

# INSTALLATION TECHNICAL DATA

## Hot water outlet temperature 60 °C

Cold water inlet temperature		°C	4	10	15	20	25	30	35	40	45	50	55
DHC-E 8/10	5.4 kW @ 208 V	1.38	1.55	1.72	1.93	2.21	2.58	3.09	3.87	5.16	7.73	15.47	
	7.2 kW @ 240 V	1.84	2.06	2.29	2.58	2.95	3.44	4.12	5.16	6.87	10.31	20.62	
	7.2 kW @ 208 V	1.84	2.06	2.29	2.58	2.95	3.44	4.12	5.16	6.87	10.31	20.62	
	9.6 kW @ 240 V	2.45	2.75	3.05	3.44	3.93	4.58	5.50	6.87	9.16	13.75	25.00	
DHC-E 11 L	10.4 kW @ 208 V	2.65	2.98	3.31	3.72	4.26	4.72	5.66	7.07	9.43	14.15	25.02	
	11.6 kW @ 220 V	2.97	3.33	3.7	4.17	4.76	5.28	6.33	7.91	10.55	15.83	25.02	
DHC-E 12	9 kW @ 208 V	2.30	2.58	2.86	3.22	3.68	4.08	4.90	6.12	8.16	12.24	24.49	
	12 kW @ 240 V	3.07	3.44	3.82	4.30	4.91	5.44	6.53	8.16	10.88	16.32	25.00	

## 12.4 Data table

	DHC-E 8/10*								
Part number	224201 (U.S. & Canada) / 234450 (Export)								
Phase	1	1	1	1	1	1	1	1	
Coding plug	Position	1	1	1	2	2	2	2	
Voltage	V	208	220	230	240	208	220	230	240
Frequency	Hz	50 / 60	50 / 60	50 / 60	50 / 60	50 / 60	50 / 60	50 / 60	50 / 60
Output power	kW	5.4	6.0	6.6	7.2	7.2	8.1	8.8	9.6
Amperage	A	26	28	29	30	35	37	39	40
Min. recommended circuit breaker <sup>1</sup> (DP)	A	30	30	30	30	35	40	40	40
Min. recommended wire size <sup>2</sup> (copper)	AWG	10	10	10	10	8	8	8	8
Min. water flow to activate appliance	gpm / l/min	0.26 / 1							
Protection level according to		IP 24							
Max. inlet water temperature	°F / °C	131 / 55							
Nominal water volume	gal / l	0.13 / 0.5							
Working pressure max.	psi / bar / MPa	150 / 10 / 1							
Tested to pressure	psi / bar / MPa	300 / 20 / 2							
Weight	lb / kg	5.9 / 2.7							
Water connections		1/2" NPT							

	DHC-E 11 L				DHC-E 12				
Part number	235235 (Not available in North America)				230628 (U.S. & Canada) / 234451 (Export)				
Phase	1	1	1	1	1	1	1	1	
Voltage	V	208	220	208	220	230	240		
Frequency	Hz	50 / 60	50 / 60	50 / 60	50 / 60	50 / 60	50 / 60	50 / 60	
Output power	kW	10.4	11.6	9	10	11	12		
Amperage	A	50	52.8	44	46	48	50		
Min. recommended circuit breaker <sup>1</sup> (DP)	A	50	60	50	50	50	50		
Min. recommended wire size <sup>2</sup> (copper)	AWG COPPER	8	6	8	8	8	8		
Protection level according to		IP 24							
Min. water flow to activate unit	gpm / l/min	0.26 / 1							
Max. inlet water temperature	°F / °C	131 / 55							
Nominal water volume	gal / l	0.13 / 0.5							
Working pressure max.	psi / bar / MPa	150 / 10 / 1							
Tested to pressure	psi / bar / MPa	300 / 20 / 2							
Weight	lb / kg	5.9 / 2.7							
Water connections		1/2" NPT							

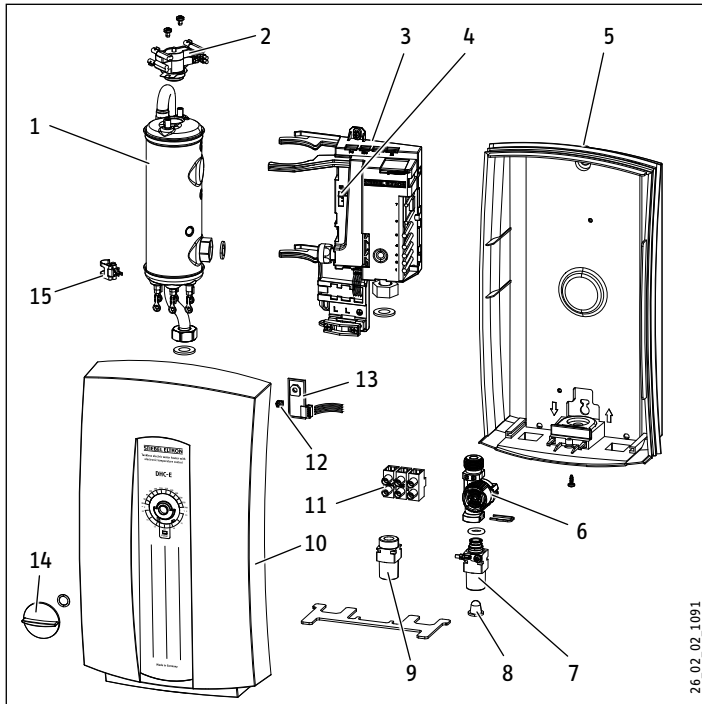
\* DHC-E 8/10 is a single unit that is switchable at installation via jumper for output at 7.2 kW (Stage 1) or 9.6 kW (Stage 2).

<sup>1</sup> Overcurrent protection sized at 100% of load. Tankless water heaters are considered a non-continuous load.

<sup>2</sup> Copper conductors with a temperature rating of 75 °C or greater must be used. Conductors should be sized to maintain a voltage drop of less than 3% under load.

These are our recommendations. Check local codes for compliance if necessary.

### 13. Spare parts



No.	No. Spare part	DHC-E 8/10	DHC-E 11 L	DHC-E 12
1	Heating system	292575	320979	292576
2	Safety thermal cut out	286369	286369	286369
3	Electronic control appliance	291851	291852	291852
4	Coding plug	283455	-	-
5	Back panel	292578	292578	292578
6	Flow sensor DFE	286461	286461	286461
7	Cold water connection	291699	291699	291699
8	Filter screen	252430	252430	252430
9	Hot water connection	278634	278634	278634
10	Plastic cover	292577	292577	292577
11	Wiring block	279998	279998	279998
12	Axis connection plug	254312	254312	254312
13	Electronic temperature control	286359	286359	286359
14	Temperature adjustment knob	254307	254307	254307
15	Outlet temperature sensor	280677	280677	280677

## 14. Warranty

Subject to the terms and conditions set forth in this limited warranty, Stiebel Eltron, Inc. (the “Manufacturer”) hereby warrants to the original purchaser (the “Owner”) that each Tankless Electric Domestic Hot Water Heater (the “Heater”) shall not (i) leak due to defects in the Manufacturer’s materials or workmanship for a period of seven (7) years from the date of purchase or (ii) fail due to defects in the Manufacturer’s materials or workmanship for a period of three (3) years from the date of purchase. As Owner’s sole and exclusive remedy for breach of the above warranty, Manufacturer shall, at the Manufacturer’s discretion, send replacement parts for local repair; retrieve the unit for factory repair, or replace the defective Heater with a replacement unit with comparable operating features. Manufacturer’s maximum liability under all circumstances shall be limited to the Owner’s purchase price for the Heater.

This limited warranty shall be the exclusive warranty made by the Manufacturer and is made in lieu of all other warranties, express or implied, whether written or oral, including, but not limited to warranties of merchantability and fitness for a particular purpose. Manufacturer shall not be liable for incidental, consequential or contingent damages or expenses arising directly or indirectly from any defect in the Heater or the use of the Heater. Manufacturer shall not be liable for any water damage or other damage to property of Owner arising, directly or indirectly, from any defect in the Heater or the use of the Heater. Manufacturer alone is authorized to make all warranties on Manufacturer’s behalf and no statement, warranty or guarantee made by any other party shall be binding on Manufacturer.

Manufacturer shall not be liable for any damage whatsoever relating to or caused by:

1. any misuse or neglect of the Heater, any accident to the Heater, any alteration of the Heater, or any other unintended use;
2. acts of God and circumstances over which Manufacturer has no control;

3. installation of the Heater other than as directed by Manufacturer and other than in accordance with applicable building codes;
4. failure to maintain the Heater or to operate the Heater in accordance with the Manufacturer’s specifications;
5. operation of the Heater under fluctuating water pressure or in the event the Heater is supplied with non-potable water, for any duration;
6. improper installation and/or improper materials used by any installer and not relating to defects in parts or workmanship of Manufacturer;
7. moving the Heater from its original place of installation;
8. exposure to freezing conditions;
9. water quality issues such as corrosive water, hard water, and water contaminated with pollutants or additives;

Should owner wish to return the Heater to manufacturer for repair or replacement under this warranty, Owner must first secure written authorization from Manufacturer. Owner shall demonstrate proof of purchase, including a purchase date, and shall be responsible for all removal and transportation costs. If Owner cannot demonstrate a purchase date this warranty shall be limited to the period beginning from the date of manufacture stamped on the Heater. Manufacturer reserves the right to deny warranty coverage upon Manufacturer’s examination of Heater. This warranty is restricted to the Owner and cannot be assigned.

Some States and Provinces do not allow the exclusion or limitation of certain warranties. In such cases, the limitations set forth herein may not apply to the Owner. In such cases this warranty shall be limited to the shortest period and lowest damage amounts allowed by law. This warranty gives you specific legal rights and you may also have other rights which vary from State to State or Province to Province.

Owner shall be responsible for all labor and other charges incurred in the removal or repair of the Heater in the field. Please also note that the Heater must be installed in such a manner that if any leak does occur, the flow of water from any leak will not damage the area in which it is installed.



**The installation, electrical connection and first operation of this appliance should be carried out by a qualified installer.**



**The company does not accept liability for failure of any goods supplied which have not been installed and operated in accordance with the manufacturer’s instructions.**

### Environment and recycling

Please help us to protect the environment by disposing of the packaging in accordance with the national regulations for waste processing.

This Warranty is valid for U.S.A. & Canada only. Warranties may vary by country. Please consult your local Stiebel Eltron Representative for the Warranty for your country.

---

NOTES

---

## OPERACIÓN

1.	Información general	15
1.1	Información de seguridad	15
1.2	Otras marcas presentes en este documento	16
2.	Seguridad	16
2.1	Uso previsto	16
2.2	Información general	16
2.3	Medidas de seguridad	16
2.4	Sello de certificación	16
3.	Registre su producto	17
4.	Descripción del equipo	17
5.	Solución de problemas	17

## INSTALACIÓN

6.	Descripción del equipo	18
7.	Montaje	18
8.	Conexión de agua	19
9.	Conexión eléctrica	19
9.1	DHC-E 8/10 - Selección de potencia	19
9.2	DHC-E 11 L	20
9.3	Ajuste de temperatura/protección antiescaldamiento	20
9.4	Bloque de terminales	20
10.	Puesta en marcha	20
11.	Localización y reparación de fallos	20
11.1	Posibilidades de indicación de los LED de diagnóstico	20
11.2	Solución de problemas	21
11.3	Restableciendo del corte térmico de seguridad	21
12.	Mantenimiento	21
13.	Especificaciones técnicas	21
13.1	Plano dimensional	21
13.2	Diagrama eléctrico	22
13.3	Posibles caudales para distintas temperaturas de entrada y de salida	23
13.4	Tabla de especificaciones	24
14.	Piezas de recambio	25
15.	Garantía	26

# OPERACIÓN

## 1. Información general



### Indicación:

Lea atentamente estas instrucciones antes de utilizar el aparato y familiarícese con sus funciones. Conserve este manual en un lugar seguro. Si entregara este aparato a otros usuarios no olvide incluir el manual.

### 1.1 Información de seguridad

#### 1.1.1 Estructura de las indicaciones de seguridad



**ADVERTENCIA de tipo de peligro**  
Aquí aparecen las posibles consecuencias del desobedecimiento de las indicaciones de seguridad.  
► Se indican las medidas necesarias para evitar estos peligros.

#### 1.1.2 Símbolos, tipo de peligro

Símbolo	Tipo de peligro
	Lesión
	Electrocución
	Quemadura o escaldamiento

#### 1.1.3 Palabras clave

PALABRA CLAVE	Descripción
PELIGRO	El desobedecimiento de esta información conlleva graves lesiones o la muerte
ADVERTENCIA	El desobedecimiento de esta información puede conllevar graves lesiones o la muerte
ATENCIÓN	El desobedecimiento de esta información puede conllevar lesiones de mediana gravedad o lesiones leves

## 1.2 Otras marcas presentes en este documento



### Indicación:

La indicación está limitada por líneas horizontales sobre y bajo el texto. La información general se señala mediante el símbolo que se muestra a la izquierda.

► Lea atentamente las indicaciones.

Símbolo



Daños en el aparato y al medio ambiente



Eliminación del aparato

► Este símbolo indica que debe usted hacer algo. Lo que debe hacer se describe en pasos individuales.

## 2. Seguridad

Observe las siguientes indicaciones y normas de seguridad.

El equipo sólo debe utilizarse después de haber sido instalado completamente y con todos los dispositivos de seguridad.

### 2.1 Uso previsto

El aparato está previsto para el calentamiento del agua potable y puede abastecer varios puntos de extracción.

El uso fuera de las especificaciones descritas se considera indebido.

Además, el obediencia de las presentes instrucciones forma parte del uso previsto de este aparato.

### 2.2 Información general

Lea el manual íntegramente. El desobediencia de las normas, instrucciones y reglamentos puede causar lesiones físicas a personas y/o daños materiales. La instalación, ajuste, modificación y mantenimiento incorrectos del presente aparato puede conducir a lesiones físicas considerables.

Este aparato debe ser instalado por un técnico autorizado. La instalación debe cumplir toda la normativa nacional, regional y local. El técnico especializado es responsable de la correcta instalación. El desobediencia de las instrucciones de instalación y operación o el uso indebido conducen a la anulación de la garantía.

Guarde el presente manual para futuras consultas. El técnico especializado debe entregar este manual al usuario.

En caso de cualquier consulta relativa a la instalación, uso u operación del presente calentador o, si fuera preciso en relación a cualquier otro manual de instalación, diríjase al teléfono de servicio técnico (véase última página).

### 2.3 Medidas de seguridad



#### PELIGRO: Lesiones

Lea y obedezca las siguientes instrucciones. El desobediencia de esta información puede conllevar graves lesiones o la muerte.



#### Daños en el aparato y al medio ambiente:

Este aparato debe ser instalado por un técnico autorizado. La instalación debe cumplir toda la normativa nacional, regional y local.

El mantenimiento del aparato debe ser realizado por técnicos autorizados.



#### PELIGRO: Electrocutación

Antes de llevar a cabo cualquier tarea de instalación, ajuste, modificación o mantenimiento de este aparato deben desconectarse todos los interruptores de potencia y seccionadores de alimentación eléctrica del aparato. El desobediencia de estas indicaciones puede conllevar graves lesiones o la muerte.



#### PELIGRO: Electrocutación

Sólo podrá retirar la cubierta del aparato si se ha interrumpido la alimentación eléctrica del aparato. El desobediencia de estas indicaciones puede conllevar lesiones físicas o la muerte.



#### PELIGRO: Electrocutación

El aparato debe conectarse a tierra adecuadamente. Si no se conecta a tierra el producto pueden producirse graves lesiones físicas o incluso la muerte.



#### PELIGRO: Quemaduras

Las temperaturas del agua que superen los 125 °F (52 °C) pueden causar quemaduras graves repentinas o incluso la muerte por escaldamiento. El peligro de escaldamiento con agua caliente existe si el termostato del aparato presenta un ajuste demasiado alto. En hogares con niños pequeños, personas discapacitadas o personas mayores puede ser necesario ajustar el termostato a 113 °F (45 °C) o menos para evitar lesiones físicas por agua caliente.



#### ADVERTENCIA: Peligro de lesiones

Si niños o personas con discapacidad física, sensorial o mentalmente, operan el aparato debe asegurarse de que dicha operación se realice después de haber recibido la instrucción adecuada por una persona a su cargo. En el caso de los niños debe procurar que no jueguen con el aparato.

### 2.4 Sello de certificación

Consulte la placa de especificaciones del aparato.



### 3. Registre su producto



**Nota:**

Debe registrar este producto en un plazo de 90 días desde la compra a través de nuestra página web para activar cualquier garantía estándar o para optar a la ampliación de la garantía. Visite nuestra página web [www.stiebel-eltron-usa.com](http://www.stiebel-eltron-usa.com) y haga clic en “Registre su producto”.

Antes de comenzar el proceso de registro, le sugerimos que recopile la siguiente información que necesitará:

Modelo, ejemplo: DHC-E

Número que se indica después de “Nr.”

Lugar de compra

Fecha de compra

Nombre y apellido

Dirección de email

Dirección postal

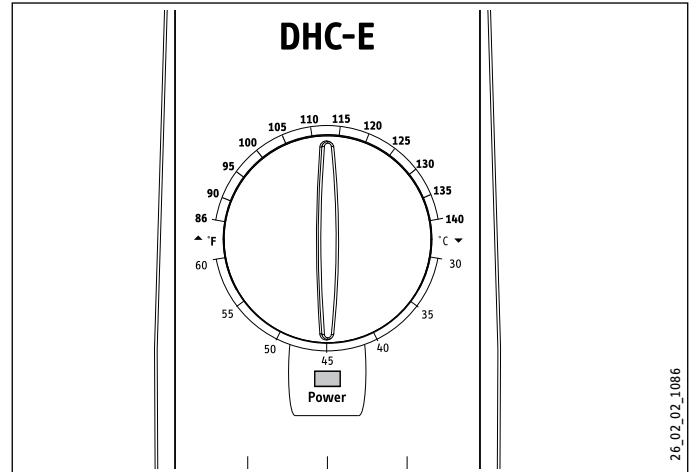
Número de teléfono

Fecha de instalación

Si tiene alguna pregunta en relación con el proceso de registro o con las opciones de garantía, por favor, póngase en contacto directamente con Stiebel Eltron USA en el número de teléfono 800.582.8423.

### 4. Descripción del equipo

El calentador instantáneo DHC-E se distingue de los acumuladores de agua convencionales en varios aspectos. No acumula agua caliente. En lugar de ello, el agua se calienta de inmediato mientras fluye a través del aparato. Debido a la ausencia de pérdidas de calor en modo standby, el DHC-E ofrece un rendimiento energético superior a un acumulador de agua caliente.



El calentamiento del agua se controla electrónicamente. El DHC-E puede suministrar agua a una temperatura de 86 °F (30 °C) a 140 °F (60 °C). La temperatura deseada puede ajustarse mediante el regulador de temperatura.



**Indicación**

Por razones de eficiencia y vida útil (calcificación) del aparato, el rango de ajuste óptimo de la temperatura está entre 30 °C (86 °F) y 50 °C (120 °F).

Si durante el funcionamiento del aparato parpadea la luz “power” (alimentación), el caudal del agua es superior a lo que puede calentar la potencia calefactora del aparato. En ese caso, reduzca el caudal para que el aparato pueda proporcionar la temperatura ajustada. La temperatura máxima está limitada electrónicamente a 140 °F. Si tuviera cualquier pregunta adicional sobre el uso previsto del DHC-E, diríjase al teléfono de nuestro servicio técnico (véase última página).

### 5. Solución de problemas

Problema	Causa	► Solución
No hay agua caliente	El caudal de agua no es suficiente para la activación del aparato	Limpiar el regulador de chorro o el cabezal de la ducha
El agua no está suficientemente caliente	El caudal de agua es demasiado alto	Reducir el caudal hasta que la luz de la cubierta frontal deje de parpadear

Si no puede solucionar la causa llame al instalador. Para poder ayudarle mejor y con mayor agilidad, indique el número de la placa de especificaciones (000000-0000-000000).

# INSTALACIÓN

## 6. Descripción del equipo

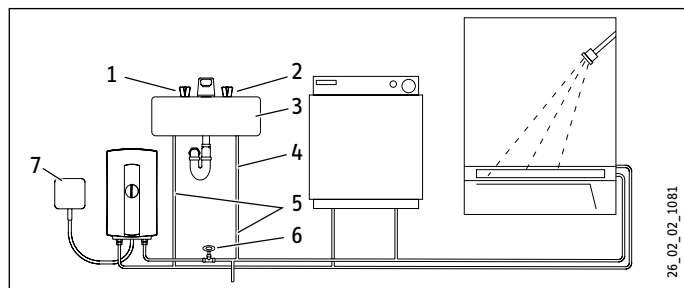
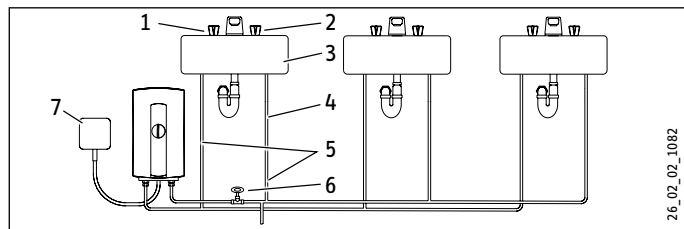
El DHC-E puede utilizarse para los siguientes usos:

- Uno o varios lavabos de manos
- Un fregadero de cocina
- Ducha con límite de flujo en el cabezal de la ducha

Para llevar a cabo el suministro completo de agua caliente de un piso o de una vivienda unifamiliar, en algunos países puede bastar una combinación de dos aparatos DHC-E. Para este caso de utilización especial, recibirá más información previa consulta a STIEBEL ELTRON.

En regiones con una elevada temperatura de entrada de agua fría, durante todo el año por encima de los 65°F (18°C), el aparato puede ser adecuado para abastecer todo el piso o vivienda unifamiliar.

**⚠ ATENCIÓN Peligro de electrocución**  
El aparato debe instalarse en vertical con las conexiones de agua hacia abajo. En esta posición de instalación, las salpicaduras de agua no pueden penetrar en el aparato.

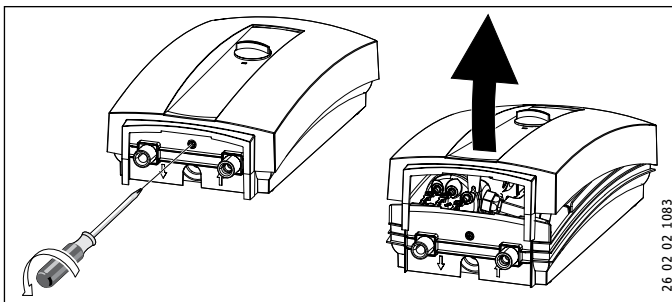


- 1 Válvula de agua caliente (izquierda)
- 2 Válvula de agua fría (a la derecha)
- 3 Lavabos
- 4 Tubería de alimentación de agua fría 1/2 pulg.
- 5 Tubería de agua para instalar el grifo de agua
- 6 Válvula de cierre
- 7 Toma de corriente

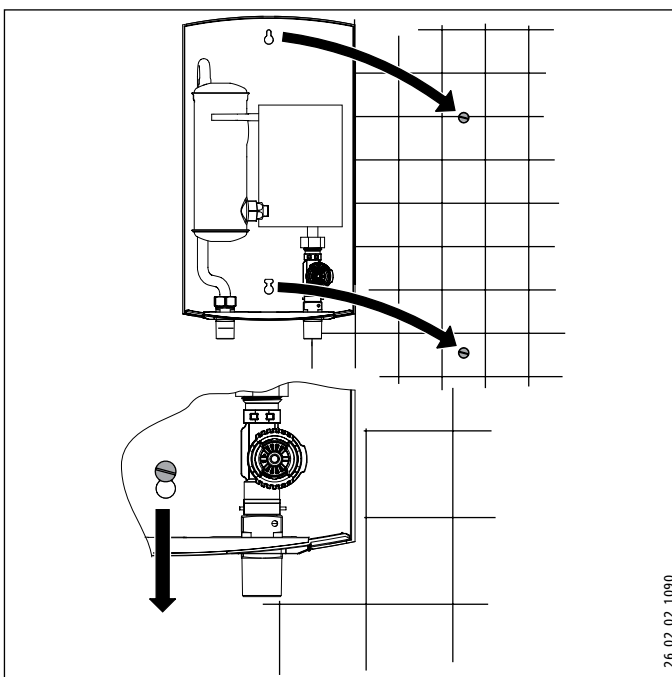
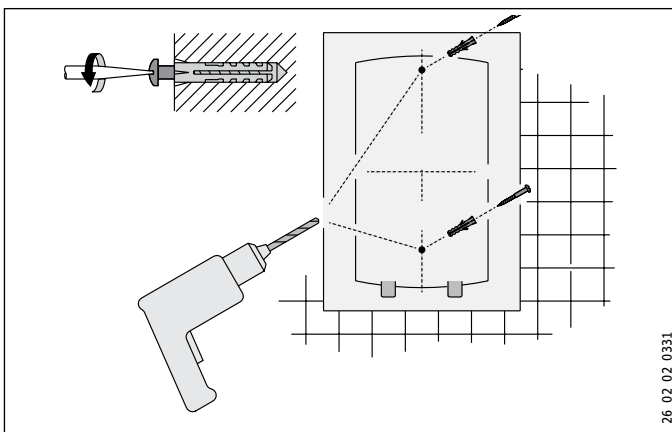
## 7. Montaje

- Colocar el DHC-E lo más cerca posible del punto de extracción de agua caliente.

- El montaje del equipo sólo debe realizarse en habitaciones resguardadas de la escarcha. Guarde el aparato desmontado resguardado de la escarcha, ya que hay agua residual su interior que puede congelarse y causar daños en el aparato.
- Debe dejarse un espacio libre mínimo de 125 mm (5 pulg.) a cada lado para la realización de las tareas de mantenimiento.



- Retirar la carcasa de plástico.



- Atornille los tornillos y enganche el aparato. Los tornillos y tacos de plástico para colocar el aparato a la pared de mampostería o de madera vienen incluidos.
- Fije los tornillos.

### 8. Conexión de agua



**Daños en el aparato y al medio ambiente**  
Si se genera demasiado calor al soldar los tubos de cobre cerca del DHC-E pueden producirse daños en el aparato.

- ▶ En todos los trabajos debe observarse la normativa nacional y regional vigente.
- ▶ A una presión superior a 145 psi (1 MPa) del suministro de agua fría debe instalar una válvula reductora de presión.
- ▶ Lave el tubo de alimentación de agua fría a fondo para eliminar los restos de cal y suciedad.
- ▶ En el tubo de alimentación de agua fría debe montar una válvula de cierre, véase ilustración “Montaje”. Así, el aparato puede cerrarse con fines de mantenimiento.
- ▶ Conexiones en el equipo:
  - Agua fría (entrada) a la derecha
  - Agua caliente (salida) a la izquierda
- ▶ En este aparato no es necesario una válvula de seguridad en la tubería de agua caliente. En algunas regiones es necesario, dependiendo de la normativa vigente, montar una válvula de seguridad. Esta debería instalarse a la salida de agua caliente del aparato.
- ▶ El acumulador de pared es apto para la conexión a sistemas de tuberías de plástico. Si fuera necesario realizar trabajos de soldadura cerca del aparato, procure que la llama no cause daños.
- ▶ Al finalizar todos los trabajos, examine el aparato para detectar posibles fugas.

### 9. Conexión eléctrica



**PELIGRO Electrocutación**  
Tenga presentes todos los reglamentos y disposiciones nacionales y regionales.



**PELIGRO Electrocutación**  
La conexión a la red eléctrica sólo está permitida estableciendo una conexión fija. El aparato debe poder desconectarse omnipolarmente de la red eléctrica al menos durante un intervalo de 1/8 pulg. (3 mm).



**Daños en el aparato y al medio ambiente**  
Observe la información de la placa de especificaciones técnicas. La tensión indicada debe coincidir con la tensión de la red local.

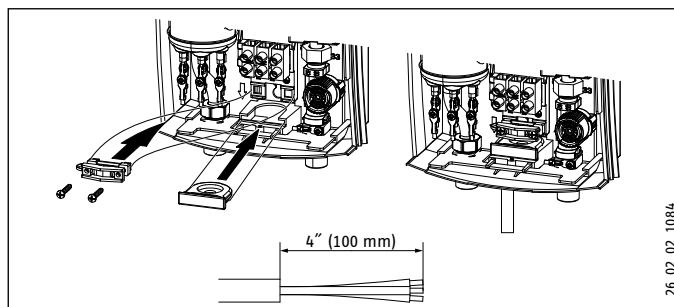


**PELIGRO Electrocutación**  
Antes de trabajar en la instalación eléctrica, asegúrese de que los fusibles de suministro eléctrico están apagados para evitar electrocuciones. Antes de la conexión a la red es necesario llevar a cabo todos los pasos de montaje. Si la normativa nacional o regional así lo requiriera, es necesario equipar el circuito eléctrico con un “interruptor de protección de fallas a tierra”.



**PELIGRO Electrocutación**  
Como en cualquier aparato eléctrico, si no se lleva a cabo la conexión a tierra del aparato pueden causarse lesiones graves o la muerte.

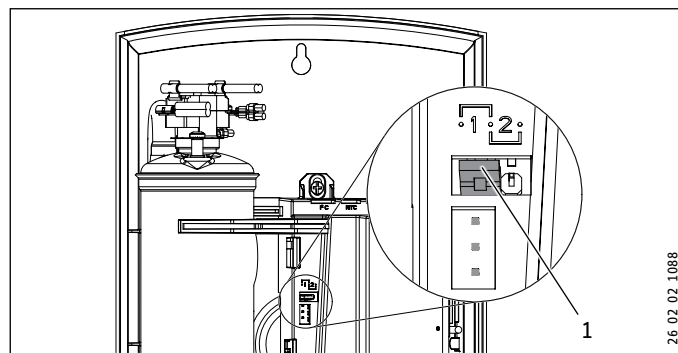
- ▶ Conecte el aparato conforme a la normativa vigente, teniendo en cuenta la conexión a tierra y el circuito eléctrico propio con la tensión adecuada. En instalaciones con varios equipos DHC-E es necesario un circuito eléctrico para cada aparato. La sección transversal del cable de alimentación y el fusible vienen indicados en las “Especificaciones técnicas”.



- ▶ Pase la junta de goma sobre el cable de alimentación y monte el cable de alimentación con la abrazadera de descarga de tracción. La abrazadera de descarga de tracción, los tornillos y la junta de goma vienen incluidos en el suministro.
- ▶ Conecte el cable de alimentación con L y L (L y N) al terminal de conexión eléctrica y conecte los hilos de conexión a tierra al tornillo marcado con el símbolo de conexión a tierra.

#### 9.1 DHC-E 8/10 – Selección de potencia

En el calentador instantáneo DHC-E 8/10 puede seleccionarse la potencia en dos etapas. El aparato viene de fábrica con el ajuste 7.2 kW a 240 V.



1 Enchufe de codificación

Si es necesario instalar una potencia distinta para el equipo deberá seguir los pasos que se indican a continuación:

- ▶ Inserte el enchufe codificador a la potencia deseada.

Nivel 1	208 V	220 V	230 V	240 V
	5.4 kW	6.0 kW	6.6 kW	7.2 kW

Nivel 2	208 V	220 V	230 V	240 V
	7.2 kW	8.1 kW	8.8 kW	9.6 kW

- ▶ Marcar una cruz con un rotulador sobre la potencia seleccionada en la placa de especificaciones técnicas.

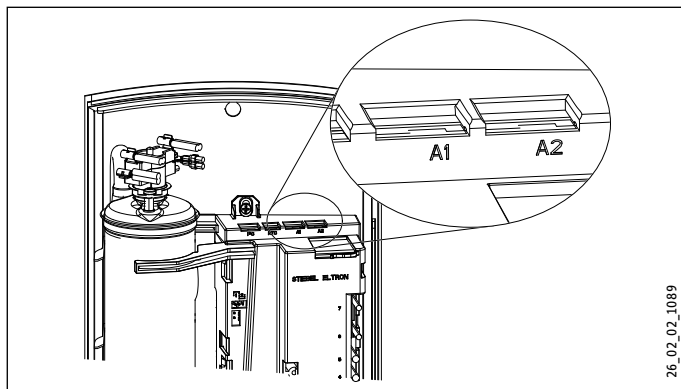
# INSTALACIÓN

## PUESTA EN MARCHA

### 9.2 DHC-E 11 L

El DHC-E 11 L sólo está diseñado para una conexión de 208 V o 220 V. No conecte a un servicio eléctrico de 120 V o de 230-240 V.

### 9.3 Ajuste de temperatura/protección antiescaldamiento



26\_02\_02\_1089

- ▶ Inserte el cable del regulador de temperatura electrónico en la posición "A1" y así obtendrá la temperatura del agua caliente más alta, de 140 °F (60 °C).

#### La temperatura máxima puede limitarse a 109 °F (43 °C):

- ▶ Inserte el cable del regulador de temperatura electrónico en la posición "A2".
- ▶ Monte la tapa de plástico.

### 9.4 Bloque de terminales

Consulte el siguiente diagrama para ver el nivel recomendado de torsión en los tornillos del bloque de terminales.

Díámetro del cable (mm)	Torsión (N·cm)	Torsión (Lbf·in)
M6	200-250	17.7-22.1

Usar las especificaciones de torsión adecuadas para fijar el cable al bloque de cableado ayuda a evitar pérdidas personales o daños a la propiedad.

## 10. Puesta en marcha



### PELIGRO Electrocutión

La puesta en marcha sólo puede ser realizada por un técnico autorizado, observando la normativa de seguridad.



### Daños en el aparato y al medio ambiente

Abra el grifo de agua caliente durante algunos minutos, hasta que el agua fluya con uniformidad y las tuberías de agua caliente no contengan más aire. La tapa de plástico del aparato debe estar montada antes de conectar los fusibles.

- ▶ Conecte los fusibles para suministrar alimentación al aparato.
- ▶ Gire el selector de temperatura a derechas y a izquierdas para calibrar el selector de temperatura.
- ▶ Mediante el botón del regulador de temperatura puede ajustar la temperatura deseada.
- ▶ Gire el grifo de agua caliente durante algunos segundos hasta que la temperatura se estabilice.
- ▶ Compruebe la temperatura del agua con la mano para asegurarse de que el agua no esté demasiado caliente. Reduzca la temperatura si fuera necesario. Para la mayoría de las aplicaciones se recomienda un ajuste de 108-116 °F (42-47 °C).
- ▶ Explique al usuario el funcionamiento del aparato e instrúyalo acerca del uso del mismo.
- ▶ Explique al usuario los posibles peligros (temperatura del agua caliente hasta 140 °F [60 °C]).

## 11. Localización y reparación de fallos



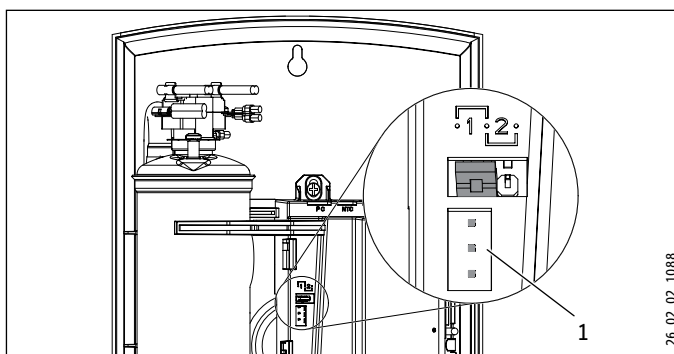
### PELIGRO Electrocutión

Para poder comprobar el aparato, éste debe estar conectado a la red de alimentación eléctrica.

### 11.1 Posibilidades de indicación de los LED de diagnóstico

#### Visualización

	Rojo	se ilumina en caso de fallo
	Amarillo	se ilumina si el aparato calienta agua
	Verde	parpadea: el aparato recibe suministro eléctrico



26\_02\_02\_1088

1 Semáforo de diagnóstico LED

## 11.2 Solución de problemas

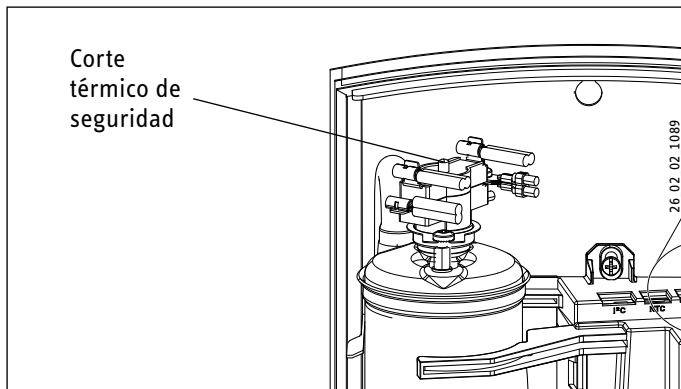
Problema	Causa	Solución
No hay agua caliente	Fusibles apagados	Conectar fusibles
	Limitador de temperatura de seguridad activado	Solucionar el fallo y presionar el limitador de temperatura de seguridad
El caudal de agua no es suficiente para la activación del aparato	El caudal de agua es demasiado alto	Limpiar el filtro del aparato
		Limpiar el regulador de chorro o el cabezal de la ducha
No hay suficiente espacio en la memoria.	Filtro obstruido	Limpiar el filtro del aparato
El agua no está suficientemente caliente	El caudal de agua es demasiado alto	Reducir el caudal hasta que la luz de la cubierta frontal deje de parpadear
		Suministrar la tensión adecuada al aparato

- Si el problema no puede solucionarse, diríjase a nosotros (véase última página) antes de retirar el aparato de la pared. STIEBEL ELTRON le proporcionará asistencia técnica con mucho gusto. En la mayoría de los casos, el problema puede solucionarse mediante una consulta telefónica.

## 11.3 Restableciendo del corte térmico de seguridad



**PELIGRO: Electrocución**  
No intente restablecer el corte térmico de seguridad de este calentador de agua a menos que la unidad haya sido completamente desconectada de los interruptores automáticos.



El corte térmico de seguridad del DHC-E fue diseñado para cortar la corriente eléctrica a los elementos de calefacción si sale agua a una temperatura demasiado alta. Cuando el interruptor de seguridad se haya disparado, debe ser reajustado manualmente.

- Apagar el interruptor conectado al calentador de agua
- Retire la cubierta delantera del calentador de agua
- Identificar el corte térmico de seguridad en la parte superior del recipiente de cobre para calefacción. El botón en la parte superior es el botón de reinicio.
- Presionar el botón hacia abajo y observar si hace clic cuando se presiona.

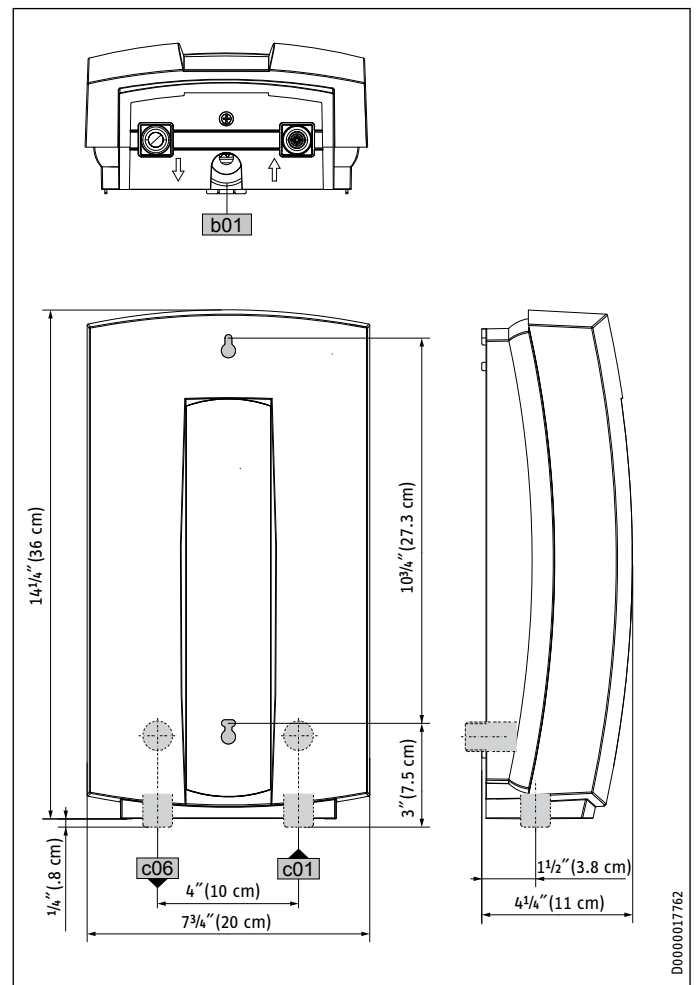
## 12. Mantenimiento

Los aparatos de STIEBEL ELTRON están previstos para una larga vida útil. La esperanza real de vida útil depende de la calidad del agua y del uso. El propio aparato no requiere mantenimiento periódico.

Recomendamos eliminar periódicamente la cal y la suciedad que pueda acumularse en el regulador de chorro del grifo o en el cabezal de la ducha.

## 13. Especificaciones técnicas

### 13.1 Plano dimensional



b01	Tendido de cableado eléctr. I	
c01	Alimentación del agua fría	1/2" NPT
c06	Salida de agua caliente	1/2" NPT

# INSTALACIÓN

## ESPECIFICACIONES TÉCNICAS

### 13.2 Diagrama eléctrico

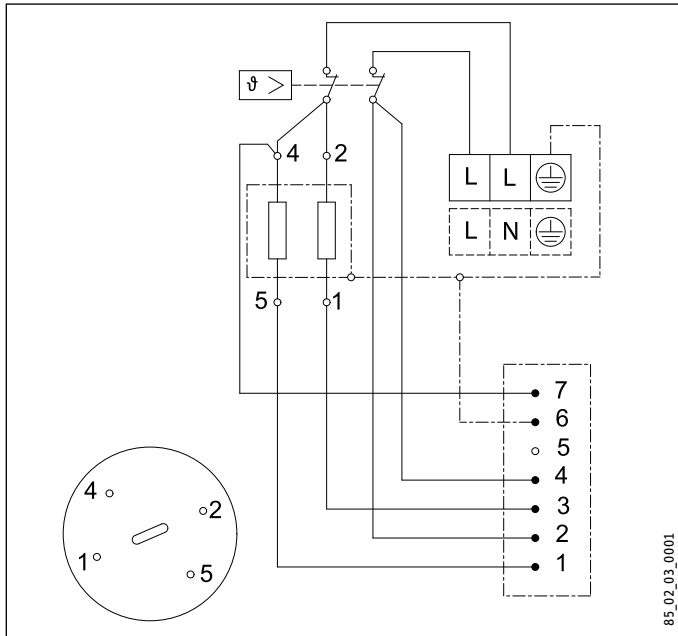
DHC-E 8/10



2/GRD ~ 208 / 240V



1/N/PE ~ 220 / 230 / 240V



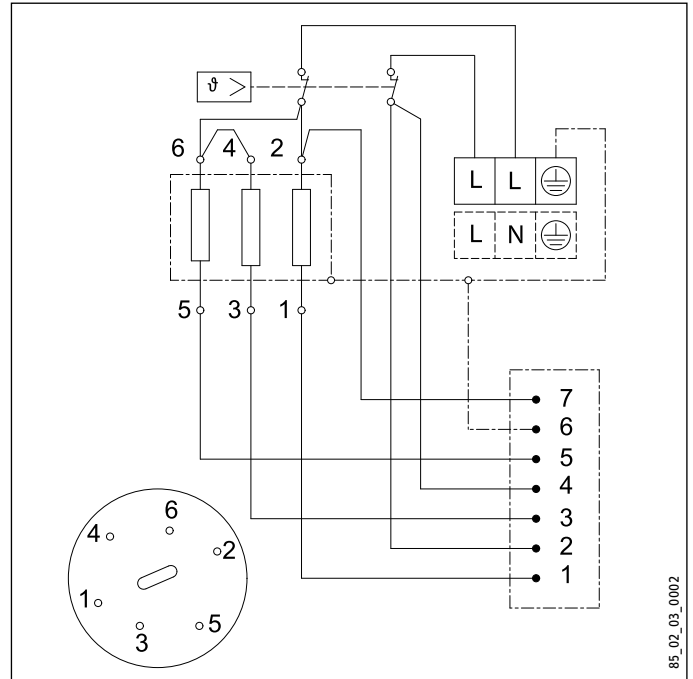
DHC-E 12



2/GRD ~ 208 / 240V



1/N/PE ~ 220 / 230 / 240V



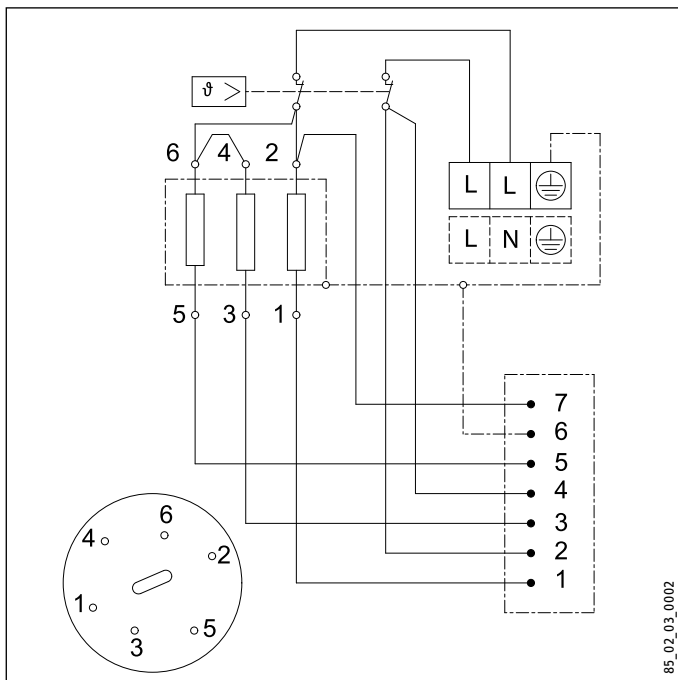
DHC-E 11 L



2/GRD ~ 208V



1/N/PE ~ 220V



# INSTALACIÓN

## ESPECIFICACIONES TÉCNICAS

### 13.3 Posibles caudales para distintas temperaturas de entrada y de salida

Caudal de agua caliente [ gpm ]

Temperatura de salida del agua caliente 104°F												
Temperatura de entrada de agua fría		°F 39	50	59	68	77	86	95	104	113	122	131
DHC-E 8/10	5.4 kW a 208 V	0.57	0.68	0.82	1.02	1.36	2.04	4.09	-	-	-	-
	7.2 kW a 240 V	0.76	0.91	1.09	1.36	1.82	2.72	5.45	-	-	-	-
	7.2 kW a 208 V	0.76	0.91	1.09	1.36	1.82	2.72	5.45	-	-	-	-
	9.6 kW a 240 V	1.01	1.21	1.45	1.82	2.42	3.63	6.61	-	-	-	-
DHC-E 11 L	10.4 kW a 208 V	1.09	1.31	1.57	1.97	2.62	3.74	6.61	-	-	-	-
	11.6 kW a 220 V	1.22	1.47	1.76	2.2	2.93	4.18	6.61	-	-	-	-
DHC-E 12	9 kW a 208 V	0.95	1.14	1.36	1.70	2.27	3.23	6.47	-	-	-	-
	12 kW a 240 V	1.26	1.51	1.82	2.27	3.03	4.31	6.61	-	-	-	-

Temperatura de salida del agua caliente 113°F												
Temperatura de entrada de agua fría		°F 39	50	59	68	77	86	95	104	113	122	131
DHC-E 8/10	5.4 kW a 208 V	0.50	0.58	0.68	0.82	1.02	1.36	2.04	4.09	-	-	-
	7.2 kW a 240 V	0.66	0.78	0.91	1.09	1.36	1.82	2.72	5.45	-	-	-
	7.2 kW a 208 V	0.66	0.78	0.91	1.09	1.36	1.82	2.72	5.45	-	-	-
	9.6 kW a 240 V	0.89	1.04	1.21	1.45	1.82	2.42	3.63	6.61	-	-	-
DHC-E 11 L	10.4 kW a 208 V	0.96	1.12	1.31	1.57	1.97	2.49	3.74	6.61	-	-	-
	11.6 kW a 220 V	1.07	1.26	1.47	1.76	2.2	2.79	4.18	6.61	-	-	-
DHC-E 12	9 kW a 208 V	0.83	0.97	1.14	1.36	1.70	2.16	3.23	6.47	-	-	-
	12 kW a 240 V	1.11	1.30	1.51	1.82	2.27	2.88	4.31	6.61	-	-	-

Temperatura de salida del agua caliente 140°F												
Temperatura de entrada de agua fría		°F 39	50	59	68	77	86	95	104	113	122	131
DHC-E 8/10	5.4 kW a 208 V	0.36	0.41	0.45	0.51	0.58	0.68	0.82	1.02	1.36	2.04	4.09
	7.2 kW a 240 V	0.49	0.54	0.61	0.68	0.78	0.91	1.09	1.36	1.82	2.72	5.45
	7.2 kW a 208 V	0.49	0.54	0.61	0.68	0.78	0.91	1.09	1.36	1.82	2.72	5.45
	9.6 kW a 240 V	0.65	0.73	0.81	0.91	1.04	1.21	1.45	1.82	2.42	3.63	6.61
DHC-E 11 L	10.4 kW a 208 V	0.70	0.79	0.87	0.98	1.12	1.25	1.50	1.87	2.49	3.74	6.61
	11.6 kW a 220 V	0.78	0.88	0.98	1.1	1.26	1.39	1.67	2.09	2.79	4.18	6.61
DHC-E 12	9 kW a 208 V	0.61	0.68	0.76	0.85	0.97	1.08	1.29	1.62	2.16	3.23	6.47
	12 kW a 240 V	0.81	0.91	1.01	1.14	1.30	1.44	1.73	2.16	2.88	4.31	6.61

Caudal de agua caliente [ l/min ]

Temperatura de salida del agua caliente 40°C												
Temperatura de entrada de agua fría		°C 4	10	15	20	25	30	35	40	45	50	55
DHC-E 8/10	5.4 kW a 208 V	2.15	2.58	3.09	3.87	5.16	7.73	15.47	-	-	-	-
	7.2 kW a 240 V	2.86	3.44	4.12	5.16	6.87	10.31	20.62	-	-	-	-
	7.2 kW a 208 V	2.86	3.44	4.12	5.16	6.87	10.31	20.62	-	-	-	-
	9.6 kW a 240 V	3.82	4.58	5.50	6.87	9.16	13.75	25.00	-	-	-	-
DHC-E 11 L	10.4 kW a 208 V	4.13	4.96	5.96	7.45	9.93	14.15	25.02	-	-	-	-
	11.6 kW a 220 V	4.62	5.55	6.66	8.33	11.11	15.83	25.02	-	-	-	-
DHC-E 12	9 kW a 208 V	3.58	4.30	5.16	6.44	8.59	12.24	24.49	-	-	-	-
	12 kW a 240 V	4.77	5.73	6.87	8.59	11.46	16.32	25.00	-	-	-	-

Temperatura de salida del agua caliente 45°C												
Temperatura de entrada de agua fría		°C 4	10	1	20	25	30	35	40	45	50	55
DHC-E 8/10	5.4 kW a 208 V	1.89	2.21	2.58	3.09	3.87	5.16	7.73	15.47	-	-	-
	7.2 kW a 240 V	2.51	2.95	3.44	4.12	5.16	6.87	10.31	20.62	-	-	-
	7.2 kW a 208 V	2.51	2.95	3.44	4.12	5.16	6.87	10.31	20.62	-	-	-
	9.6 kW a 240 V	3.35	3.93	4.58	5.50	6.87	9.16	13.75	25.00	-	-	-
DHC-E 11 L	10.4 kW a 208 V	3.62	4.26	4.96	5.96	7.45	9.43	14.15	25.02	-	-	-
	11.6 kW a 220 V	4.05	4.76	5.55	6.66	8.33	10.55	15.83	25.02	-	-	-
DHC-E 12	9 kW a 208 V	3.14	3.68	4.30	5.16	6.44	8.16	12.24	24.49	-	-	-
	12 kW a 240 V	4.19	4.91	5.73	6.87	8.59	10.88	16.32	25.00	-	-	-

# INSTALACIÓN

## ESPECIFICACIONES TÉCNICAS

Temperatura de salida del agua caliente 60 °C												
Temperatura de entrada de agua fría	°C	4	10	15	20	25	30	35	40	45	50	55
DHC-E 8/10	5.4 kW a 208 V	1.38	1.55	1.72	1.93	2.21	2.58	3.09	3.87	5.16	7.73	15.47
	7.2 kW a 240 V	1.84	2.06	2.29	2.58	2.95	3.44	4.12	5.16	6.87	10.31	20.62
	7.2 kW a 208 V	1.84	2.06	2.29	2.58	2.95	3.44	4.12	5.16	6.87	10.31	20.62
	9.6 kW a 240 V	2.45	2.75	3.05	3.44	3.93	4.58	5.50	6.87	9.16	13.75	25.00
DHC-E 11 L	10.4 kW a 208 V	2.65	2.98	3.31	3.72	4.26	4.72	5.66	7.07	9.43	14.15	25.02
	11.6 kW a 220 V	2.97	3.33	3.7	4.17	4.76	5.28	6.33	7.91	10.55	15.83	25.02
DHC-E 12	9 kW a 208 V	2.30	2.58	2.86	3.22	3.68	4.08	4.90	6.12	8.16	12.24	24.49
	12 kW a 240 V	3.07	3.44	3.82	4.30	4.91	5.44	6.53	8.16	10.88	16.32	25.00

### 13.4 Tabla de especificaciones

	DHC-E 8/10*									
# Catálogo	224201 (EEUU y Canadá) / 234450 (Exportación)									
Fase	1	1	1	1	1	1	1	1	1	
Tensión	V	1	1	1	2	2	2	2	2	
Frecuencia	Hz	208	220	230	240	208	220	230	240	
Enchufe de codificación	Posición	50 / 60	50 / 60	50 / 60	50 / 60	50 / 60	50 / 60	50 / 60	50 / 60	
Potencia de funcionamiento	kW	5.4	6.0	6.6	7.2	7.2	8.1	8.8	9.6	
Corriente nominal	A	26	28	29	30	35	37	39	40	
Interruptor auto. # requerido <sup>1</sup> (2P)	A	30	30	30	30	35	40	40	40	
Calibre de alambre, cobre <sup>2</sup>	AWG	10	10	10	10	8	8	8	8	
Tipo de protección según	IP 24									
Flujo mínimo de agua para activar										
la unidad	gpm / l/min	0.26 / 1.0								
Volumen de agua nominal	gal / l	0.13 / 0.5								
Presión de prueba	psi / bar / MPa	150 / 10 / 1								
Presión de trabajo	psi / bar / MPa	300 / 20 / 2								
Peso	lb / kg	5.9 / 2.7								
Conexión de agua	1/2 pulg. NPT									

	DHC-E 11 L				DHC-E 12			
# Catálogo	235235 (No disponible en Norteamérica)				230628 (EEUU y Canadá) / 234451 (Exportación)			
Fase	1	1	1	1	1	1	1	1
Tensión	V	208	220	208	220	230	240	240
Frecuencia	Hz	50 / 60	50 / 60	50 / 60	50 / 60	50 / 60	50 / 60	50 / 60
Potencia de funcionamiento	kW	10.4	11.6	9	10	11	12	12
Corriente nominal	A	50	52.8	44	46	48	50	50
Protección mín. por fusible	A	50	60	50	50	50	50	50
Calibre de alambre, cobre <sup>2</sup>	AWG	8	6	8	8	8	8	8
Tipo de protección según	IP 24							
Flujo mínimo de agua para activar								
la unidad	gpm / l/min	0.26 / 1.0						
Volumen de agua nominal	gal / l	0.13 / 0.5						
Presión de prueba	psi / bar / MPa	150 / 10 / 1						
Presión de trabajo	psi / bar / MPa	300 / 20 / 2						
Peso	lb / kg	5.9 / 2.7						
Conexión de agua	1/2 pulg. NPT							

\* Unidad de uso múltiple - para servicio de 7.2 kW o 9.6 kW

<sup>1</sup> Esta es nuestra recomendación por sobre la protección actual de tamaño al 100% de la carga. Compruebe normativa local si es necesario. Los calentadores sin tanque eléctricos son considerados una carga no continua.

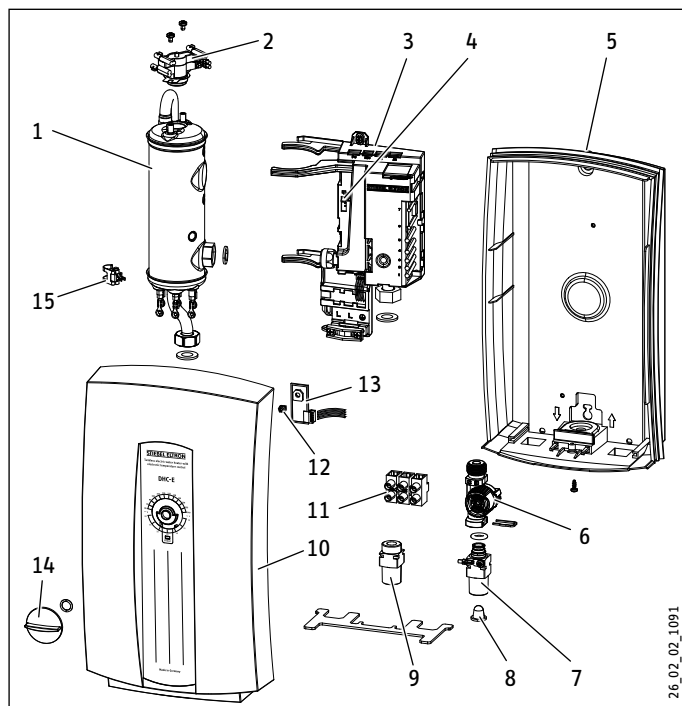
<sup>2</sup> Deben usarse conductores de cobre con una clasificación de temperatura de 75 °C o más. Los conductores deben ser dimensionados para mantener una caída de tensión de menos del 3% en situación de carga.



# INSTALACIÓN

## PIEZAS DE RECAMBIO

### 14. Piezas de recambio



Nº	Piezas de recambio	DHC-E 8/10	DHC-E 11 L	DHC-E 12
1	Sistema de calefacción	292275	320979	292276
2	Limitador de temperatura de seguridad	286369	286369	286369
3	Grupo electrónico	291851	291852	291852
4	Enchufe de codificación	283455	-	-
5	Pared posterior de la carcasa	292578	292578	292578
6	Caudalímetro (DFE)	286461	286461	286461
7	Racor de conexión del agua fría	291699	291699	291699
8	Filtro	252430	252430	252430
9	Racor de conexión del agua caliente	278634	278634	278634
10	Tapa de la carcasa	292577	292577	292577
11	Terminal de conexión eléctrica	279998	279998	279998
12	Eje de quita y pon	254312	254312	254312
13	Pletina (transmisor de valor de referencia)	286359	286359	286359
14	Botón del regulador de temperatura	254307	254307	254307
15	Sensor de temperatura (NTC)	280677	280677	280677

## 15. Garantía

Sujeto a los términos y condiciones expresados en esta Garantía Limitada de por vida, Stiebel Eltron, Inc. (el "Fabricante") por la presente asegura al comprador original (el "Propietario") que cada calentador de agua eléctrico de calor sin tanque (el "Calentador") no deberá (i) tener fugas debido a defectos en los materiales del fabricante o mano de obra por un período de siete (7) años desde la fecha de compra o (ii) falla debido a defectos en los materiales o mano de obra del fabricante por un período de tres (3) años a partir de la fecha de compra. Como única y exclusiva solución para el Propietario en cuanto a la presente garantía, el Fabricante, a discreción del Fabricante, reparará en fábrica o reemplazará el Calentador defectuoso con una unidad o repuesto de reemplazo con características de funcionamiento comparables. La máxima responsabilidad del Fabricante en cualquier circunstancia se limitará al precio de compra del Calentador que pagó el Propietario.

Esta garantía limitada será la garantía exclusiva que el Fabricante otorga, y reemplaza todas las demás garantías, expresas o implícitas, escritas u orales, que incluyen pero no se limitan a las garantías de comerciabilidad o adecuación para un fin determinado. El Fabricante no será responsable de daños incidentales, indirectos o contingentes o gastos que surjan, de manera directa o indirecta, de cualquier defecto del Calentador o del uso del mismo. El Fabricante no será responsable por daños ocasionados por el agua o cualquier otro daño a la propiedad del Propietario que surja, de manera directa o indirecta, de cualquier defecto del Calentador o del uso del mismo. Solo el Fabricante está autorizado a conceder todas las garantías en representación del Fabricante, y ninguna declaración o garantía realizada por cualquier otra parte será vinculante para el Fabricante.

El Fabricante no será responsable de ningún daño relacionado o causado por:

1. cualquier uso indebido o falta de cuidado del Calentador, cualquier accidente que afecte al Calentador, cualquier alteración al Calentador, o cualquier otro uso incorrecto;
2. casos fortuitos o circunstancias sobre las cuales el Fabricante no tiene control;
3. instalación del Calentador que se desvíe de las directivas del Fabricante o no observe los códigos de

- construcción pertinentes;
4. negligencia en cuanto a mantener el Calentador u operar el Calentador según las especificaciones del Fabricante;
5. hacer funcionar el Calentador en condiciones de presión de agua fluctuante o en caso de que el Calentador se alimente de agua no potable durante un período de cualquier duración;
6. instalación defectuosa y/o uso de materiales inapropiados por parte de cualquier instalador y que no se relacione con defectos en los repuestos o la mano de obra del Fabricante;
7. mover el Calentador de su lugar original de instalación;
8. exposición a condiciones de congelamiento;
9. los problemas de calidad del agua, como el agua corrosiva, el agua dura y agua contaminada con contaminantes o aditivos;

Si el Propietario desea devolver el Calentador al Fabricante para su reparación o reemplazo bajo esta garantía, el Propietario debe obtener primero la autorización por escrito del Fabricante. El Propietario deberá presentar una prueba de compra, incluida la fecha de compra, y será responsable de los costos de desinstalación y transporte. Si el Propietario no puede demostrar una fecha de compra, esta garantía se limitará al período que comienza a partir de la fecha de compra impresa en el Calentador. El Fabricante se reserva el derecho de negar la cobertura de esta garantía después de examinar el Calentador. Esta garantía se limita al Propietario y es intransferible.

Algunos Estados y Provincias no permiten la exclusión o limitación de ciertas Garantías. En dichos casos, las limitaciones aquí expresadas pueden no aplicarse al Propietario. En dichos casos esta Garantía se limitará al período más corto y las menores cifras de daños permitidas por ley. Esta Garantía le da derechos legales específicos y puede que usted tenga otros derechos que variarán de Estado a Estado y de Provincia a Provincia.

El Propietario será responsable de todos los costos de mano de obra y otros cargos incurridos al retirar o reparar el Calentador en el lugar de instalación. Por favor obsérvese que el Calentador debe instalarse de tal manera que, en caso de pérdida, el flujo de agua de la pérdida no dañe el lugar en que está instalado.



**La compañía no acepta responsabilidad alguna por la falla de cualquier artículo suministrado que no haya sido instalado y operado de acuerdo con las instrucciones del fabricante.**



**La instalación, conexión eléctrica y primera operación de este artefacto debe ser realizada por un instalador calificado.**

## Medioambiente y reciclaje

Por favor ayúdenos a proteger el medioambiente eliminando el embalaje en concordancia con la normativa nacional para el tratamiento de residuos.

Esta Garantía solo es válida en Estados Unidos y Canadá. Las garantías pueden variar de un país a otro. Consulte a su representante de Stiebel Eltron local para conocer la Garantía correspondiente a su país.

### UTILISATION

1.	Remarques générales	27
1.1	Informations relatives à la sécurité	27
1.2	Autres repérages utilisés dans ce document	28
2.	Sécurité	28
2.1	Utilisation conforme	28
2.2	Informations générales	28
2.3	Précautions de sécurité	28
2.4	Label de conformité	28
3.	Inscrivez votre produit	29
4.	Description de l'appareil	29
5.	Comment remédier à un problème	29

### INSTALLATION

6.	Description de l'appareil	30
7.	Montage	30
8.	Raccordement hydraulique	31
9.	Raccordement électrique	31
9.1	DHC-E 8/10 - Sélection de la puissance	31
9.2	DHC-E 11 L	32
9.3	Réglage de la température/protection anti-ébullition	32
9.4	Bloc de câblage	32
10.	Mise en service	32
11.	Comment remédier aux défauts	32
11.1	Possibilités d'affichage des DEL de diagnostic	32
11.2	Tableau des pannes	33
11.3	Renouveler l'interrupteur thermique de sécurité	33
12.	Maintenance	33
13.	Donnés techniques	33
13.1	Plan de cotes	33
13.2	Schéma des connexions	34
13.3	Débits possibles pour différentes températures d'entrée et de sortie	35
13.4	Tableau de données	36
14.	Pièces de rechange	37
15.	Garantie	38

## UTILISATION

### 1. Remarques générales



#### Remarque

Lisez attentivement cette notice avant d'utiliser l'appareil et familiarisez-vous avec ses fonctions. Conservez la notice dans un endroit sûr. Remettez cette notice au nouvel utilisateur le cas échéant.

#### 1.1 Informations relatives à la sécurité

##### 1.1.1 Structure des consignes de sécurité



**MOT-CLÉ Nature du danger**  
Ici s'affichent les conséquences possibles de la non-observation des prescriptions de sécurité.  
► Les mesures permettant d'éviter ces dangers sont également indiquées.

##### 1.1.2 Symboles, nature du danger

Symbole	Nature du danger
	Blessure
	Électrocution
	Brûlures ou ébouillancements

##### 1.1.3 Mots-clés

MOT-CLÉ	Description
DANGER	La non-observation de ces informations entraîne des blessures graves, voire la mort.
AVERTISSEMENT	La non-observation de ces informations peut entraîner des blessures graves, voire la mort.
ATTENTION	La non-observation de ces informations peut entraîner des blessures moyennement graves ou légères.

### 1.2 Autres repérages utilisés dans ce document



#### Remarque

Les remarques sont délimitées par des lignes horizontales au-dessus et en dessous du texte. Les remarques d'ordre général sont caractérisées par le symbole représenté ici à gauche.

► Lisez attentivement ces remarques.

Symbole	
	Domages sur l'appareil et sur l'environnement
	Recyclage de l'appareil

► Ce symbole indique ce que vous devez faire. Ce que vous devez faire est décrit étape par étape.

## 2. Sécurité

Respectez les consignes suivantes et les prescriptions de sécurité.

N'utilisez cet appareil que s'il est complètement installé et doté de tous les dispositifs de sécurité.

### 2.1 Utilisation conforme

L'appareil est destiné au chauffage de l'eau sanitaire et peut alimenter plusieurs points de soutirage.

Toute utilisation dépassant ces spécifications est considérée comme non conforme.

Le respect de la présente notice faite également partie de l'utilisation conforme de cet appareil.

### 2.2 Informations générales

Lisez la notice en sa totalité. La non-observation de toutes les directives, notices et réglementations peut entraîner des blessures corporelles et/ou des dégâts matériels. Une installation, un paramétrage, une modification ou une maintenance effectuée de manière incorrecte sur cet appareil peut entraîner des blessures très importantes.

Cet appareil doit être installé par un installateur agréé. L'installation doit satisfaire à toutes les prescriptions nationales, régionales et locales. L'installateur est responsable de la réalisation correcte de l'installation. La non-observation de la notice d'installation et d'emploi ou toute installation non-conforme invalide la garantie.

Conservez la présente notice pour consultation ultérieure. L'installateur doit remettre cette notice à l'utilisateur.

En cas de questions à propos de l'installation, de l'utilisation et de l'exploitation de ce préparateur d'eau chaude sanitaire, ou bien si vous avez besoin de manuels d'installation supplémentaires, merci de contacter le numéro de téléphone de l'assistance technique (voir la dernière page).

### 2.3 Précautions de sécurité



#### DANGER Blessure

Lisez et respectez la présente notice. Le non-observation de cette notice peut entraîner des blessures très graves, voire la mort.



#### Domages sur l'appareil et sur l'environnement

L'appareil doit être installé par un installateur agréé. L'installation doit satisfaire à toutes les prescriptions nationales, régionales et locales. La maintenance de l'appareil doit être effectuée par un installateur qualifié.



#### DANGER Électrocution

Avant d'effectuer les travaux d'installation, de paramétrage, de modification ou de maintenance sur cet appareil, coupez tous les disjoncteurs et sectionneurs de l'alimentation électrique de l'appareil. La non-observation de ces consignes peut entraîner des blessures très graves, voire la mort.



#### DANGER Électrocution

Ne retirez le capot de l'appareil qu'une fois l'alimentation électrique de l'appareil coupée. La non-observation de cette consigne peut entraîner des blessures, voire la mort.



#### DANGER Électrocution

L'appareil doit être relié correctement à la terre. L'absence de liaison à la terre du produit peut entraîner des blessures très graves, voire la mort.



#### DANGER Brûlures

L'eau à des températures supérieures à 52 °C (125 °F) peut entraîner des brûlures immédiates graves, voire la mort par ébouillantage. Le danger d'ébouillantage par eau brûlante existe lorsque le thermostat de l'appareil est sur un réglage trop élevé. Dans les foyers avec des enfants en bas âge, des personnes handicapées ou âgées, il peut être nécessaire de régler le thermostat sur 45 °C (113 °F) ou moins pour éviter les blessures dues à l'eau chaude.



#### AVERTISSEMENT Risque de blessures

Si des enfants ou des personnes aux capacités physiques, sensorielles ou mentales réduites sont autorisées à utiliser cet appareil, il convient de s'assurer qu'ils l'utilisent uniquement quand ils sont supervisés ou s'ils ont été instruits par la personne responsable de leur sécurité. Veillez à ce que les enfants ne jouent pas avec l'appareil.

### 2.4 Label de conformité

Voir la plaque signalétique de l'appareil.

### 3. Inscrivez votre produit



**Remarque:**  
Vous devez inscrire votre produit dans les 90 jours qui suivent la date d'achat sur notre site internet pour activer la garantie normale ou pour pouvoir réclamer la garantie prolongée. Rendez-vous à notre site internet à l'adresse suivante : [www.stiebel-eltron-usa.com](http://www.stiebel-eltron-usa.com) et cliquez sur « Register Your Product » (inscrivez votre produit).

Avant de lancer le processus d'inscription, nous vous conseillons d'avoir à portée de main la documentation nécessaire, à savoir :

Modèle, Exemple : DHC-E

Numéro apparaissant après « Nr. » (N°)

Lieu d'achat

Date d'achat

Prénom et nom de famille

Adresse courriel

Adresse postale

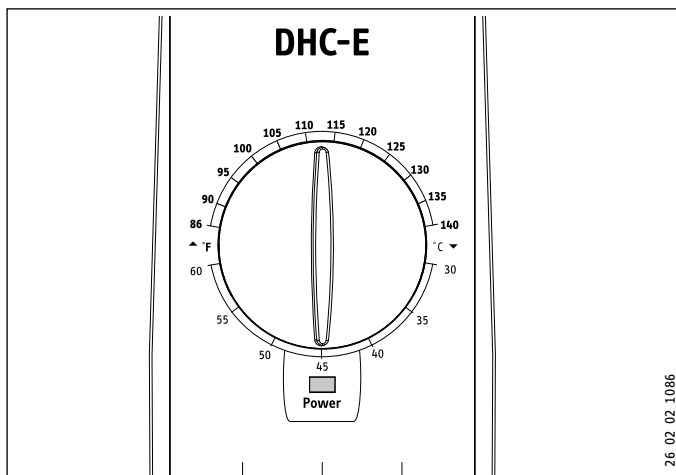
Numéro de téléphone

Date d'installation

En cas de questions à propos du processus d'inscription ou des options pour la garantie, veuillez contacter Stiebel Eltron USA directement en composant le (800) 582-8423.

### 4. Description de l'appareil

Le chauffe-eau instantané DHC-E se distingue des ballons d'eau chaude sanitaire conventionnels à plusieurs points de vue. Il ne stocke pas l'eau chaude. Au lieu de cela, l'eau est immédiatement chauffée quand elle circule dans l'appareil. En raison de la disparition des déperditions calorifiques en mode stand-by, le DHC-E présente une efficacité énergétique supérieure à celle d'un ballon d'eau chaude sanitaire.



Le chauffage de l'eau est commandé par un système électronique. Le DHC-E peut fournir de l'eau à des températures entre 30 °C (86 °F) et 60 °C (140 °F). Pour régler la température souhaitée, utilisez le bouton de thermostat.



**Remarque**  
Pour des raisons d'efficacité et de durée de vie (entartrage), la plage de réglage optimale de la température se situe entre 30 °C (86 °F) et 50 °C (120 °F).

Si le voyant « Power » clignote pendant que l'appareil fonctionne, cela signifie que le débit volumétrique de l'eau est supérieur à ce que la puissance chauffage de l'appareil peut chauffer. Dans ce cas, réduisez le débit volumétrique pour que l'appareil puisse fournir de l'eau à la température paramétrée. La température maximale est limitée à 60 °C (140 °F) par le système électronique. Si vous avez des questions sur l'utilisation que vous prévoyez pour le DHC-E, merci de contacter le numéro de téléphone de notre assistance technique (voir la dernière page).

### 5. Comment remédier à un problème

Problème	Cause	► Remède
Pas d'eau chaude sanitaire	Le débit volumétrique en eau est insuffisant pour activer l'appareil.	Nettoyez le régulateur de jet ou la pomme de douche.
L'eau n'est pas assez chaude.	Le débit volumétrique en eau est trop élevé.	Réduire le débit volumétrique en eau jusqu'à ce que le voyant sur le capot avant ne clignote plus.

Appelez un installateur si vous ne réussissez pas à éliminer la cause. Donnez-lui le numéro indiqué sur la plaque signalétique pour qu'il puisse vous aider plus rapidement et plus efficacement (000000-0000-000000).

# INSTALLATION

## 6. Description de l'appareil

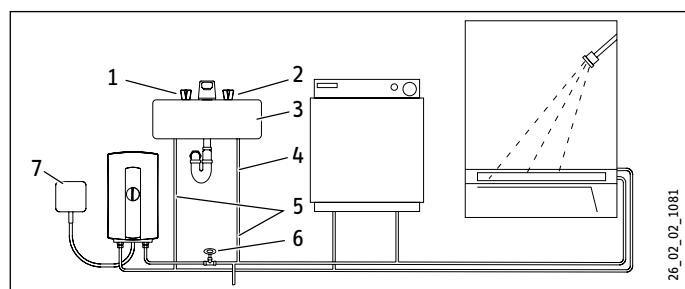
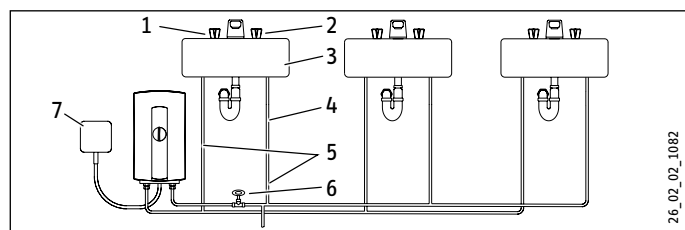
Un DHC-E peut être utilisé pour les applications suivantes :

- un ou plusieurs lavabos
- un évier de cuisine
- une douche avec un dispositif limiteur de débit sur la pomme de douche

Pour alimenter un appartement ou une maison en eau chaude sanitaire, une combinaison de deux DHC-E peut suffire dans certains pays. Sur demande, STIEBEL ELTRON vous fournira des informations supplémentaires pour cette application spécifique.

Pour les régions où la température d'admission de l'eau froide est élevée, à savoir supérieure à 18 °C (65 °F) toute l'année, l'appareil peut également convenir pour un appartement entier ou toute une maison entière.

**⚡ ATTENTION Électrocution**  
L'appareil doit être installé à la verticale avec les raccords hydrauliques vers le bas. Dans cette position de montage, l'eau projetée ne peut pas entrer dans l'appareil.

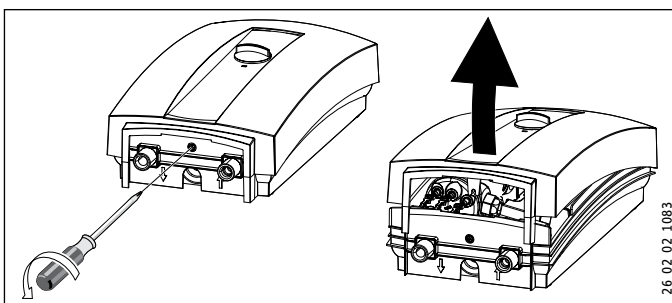


- 1 Robinet d'eau chaude (à gauche)
- 2 Robinet d'eau froide (à droite)
- 3 Lavabo
- 4 Conduite d'eau froide 1/2»
- 5 Conduite d'eau pour l'installation du robinet
- 6 Robinet d'arrêt
- 7 Raccordement électrique

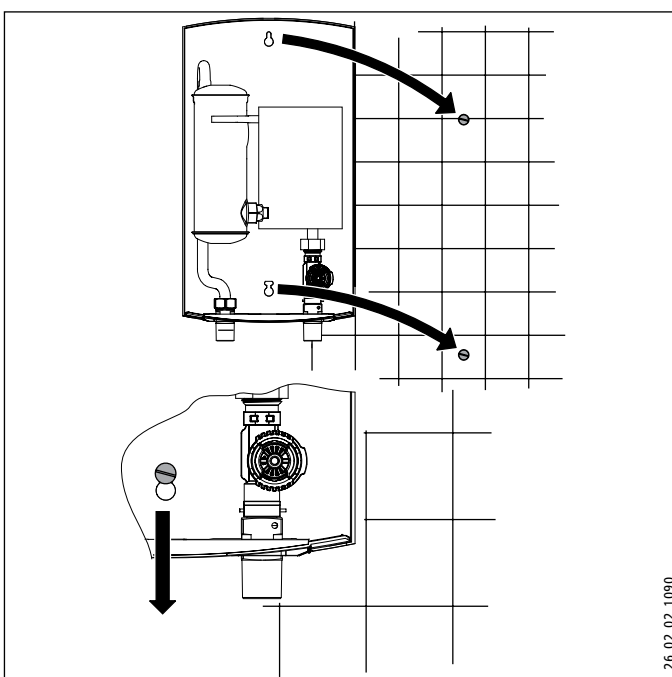
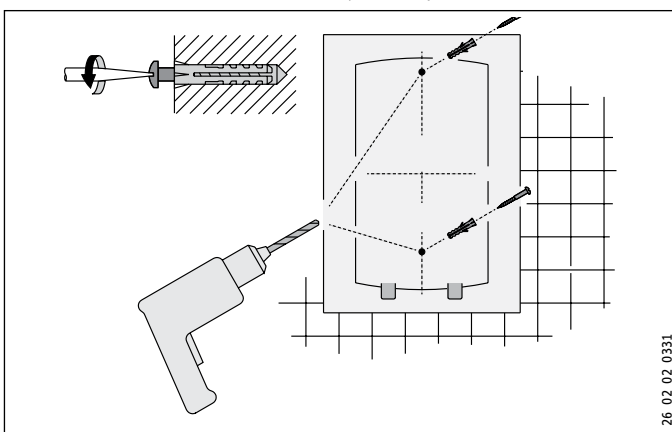
## 7. Montage

- ▶ Installez le DHC-E le plus près possible du point de soutirage d'eau chaude.

- ▶ L'appareil doit être monté uniquement dans un local hors gel. Stockez un appareil démonté en le protégeant du gel, car il reste de l'eau à l'intérieur, qui pourrait geler et causer des dommages.
- ▶ Prévoyez un espace libre d'au moins 125 mm (5 po) sur tous les côtés pour les travaux de maintenance.



- ▶ Retirez le boîtier en matière synthétique.



- ▶ Vissez les vis et suspendez l'appareil. Les vis et les chevilles en matière synthétique pour le montage sur maçonnerie ou bois sont fournies à la livraison.
- ▶ Bloquez les vis.

### 8. Raccordement hydraulique

**!** **Dommages sur l'appareil et sur l'environnement**  
L'appareil peut être endommagé par une chaleur trop élevée lors du brasage de tubes en cuivre à proximité du DHC-E.

- ▶ Pour tous les travaux, vous devez respecter les prescriptions nationales et régionales respectives et applicables.
- ▶ Si la pression de l'alimentation en eau froide est supérieure à 1 MPa, vous devez installer un réducteur de pression.
- ▶ Rincez soigneusement la conduite d'eau froide pour évacuer tous les restes de tartre et les saletés.
- ▶ Vous devez monter une vanne d'arrêt sur la conduite d'eau froide, voir la figure Montage. Cette vanne permet de couper l'appareil du réseau pour les travaux de maintenance.
- ▶ Raccordements sur l'appareil :
  - Eau froide (entrée) à droite
  - Eau chaude sanitaire (sortie) à gauche
- ▶ Sur cet appareil, il n'est pas obligatoire d'installer une soupape de sécurité sur la conduite d'eau chaude sanitaire. Dans certaines régions, les prescriptions exigent d'installer une soupape de sécurité. Dans ce cas, elle doit être installée au niveau de la sortie d'eau chaude sanitaire de l'appareil.
- ▶ Le DHC-E convient pour être raccordé à des tubes en cuivre, en matière synthétique ou en inox. Si des travaux de brasage sont nécessaires à proximité de l'appareil, vous devez veiller à ce que les flammes ne provoquent aucun dégât.
- ▶ Une fois tous les travaux terminés, vérifiez l'étanchéité de l'appareil.

### 9. Raccordement électrique

**!** **DANGER Électrocution**  
Tenez compte de la législation et des prescriptions nationales et locales.

**!** **DANGER Électrocution**  
Le raccordement au secteur doit être réalisé exclusivement en connexion fixe. L'appareil doit pouvoir être déconnecté du secteur par un dispositif de coupure multipolaire ayant une ouverture minimale des contacts de 3 mm.

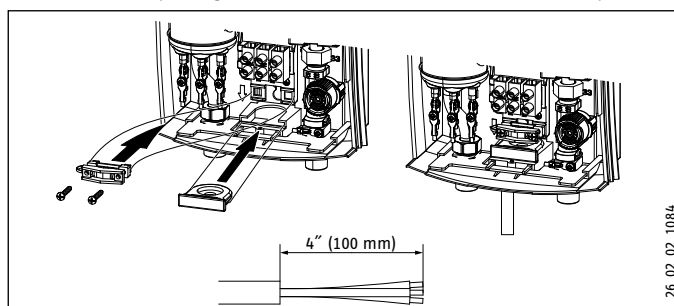
**!** **Dommages sur l'appareil et sur l'environnement**  
Tenez compte des indications sur la plaque signalétique. La tension qui y est indiquée doit correspondre à la tension du secteur.

**!** **DANGER Électrocution**  
Avant d'effectuer des travaux sur l'installation électrique, assurez-vous que les fusibles de l'alimentation électrique ont été coupés afin d'éviter toute électrocution. Avant le raccordement au secteur, toutes les opérations de montage doivent être terminées. Si les dispositions nationales ou régionales l'exigent, le circuit électrique doit être équipé d'un « disjoncteur différentiel ».



**DANGER Électrocution**  
Comme pour tous les appareils électriques, l'absence de liaison à la terre de l'appareil peut entraîner de graves blessures, voire la mort.

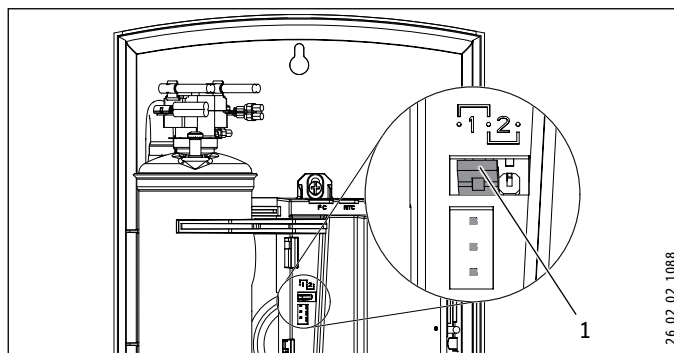
- ▶ Raccordez l'appareil correctement en veillant à la mise à la terre et à ce que le circuit électrique présente la tension correcte. Dans le cas d'installations avec plusieurs DHC-E, chaque appareil doit disposer de son propre circuit électrique. La section de la conduite d'alimentation et la protection électrique figure dans la section Données techniques.



- ▶ Enfilez le joint d'étanchéité en caoutchouc par-dessus la conduite de raccordement et montez celle-ci à l'aide d'un collier anti-traction. Le collier anti-traction, les vis et le joint d'étanchéité en caoutchouc sont fournis à la livraison.
- ▶ Raccordez les conducteurs L et L (L et N) au bornier de raccordement secteur. Raccordez le conducteur de terre à la vis portant le symbole de mise à la terre.

#### 9.1 DHC-E 8/10 – Sélection de la puissance

Sur le chauffe-eau instantané DHC-E 8/10, la puissance peut être sélectionnée sur deux niveaux. À sa sortie d'usine, l'appareil est réglé sur 7,2 kW en 240 V.



1 Codeur

Si l'appareil doit être installé avec une autre puissance, procédez comme suit :

- ▶ Positionnez le codeur sur la puissance souhaitée.

Niveau 1	208 V	220 V	230 V	240 V
	5,4 kW	6,0 kW	6,6 kW	7,2 kW

Niveau 2	208 V	220 V	230 V	240 V
	7,2 kW	8,1 kW	8,8 kW	9,6 kW

- ▶ Marquez la puissance souhaitée et la tension sur la plaque signalétique à l'aide d'un feutre indélébile.

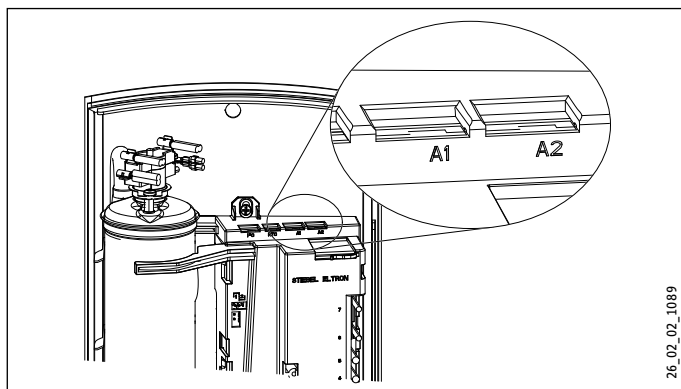
# INSTALLATION

## MISE EN SERVICE

### 9.2 DHC-E 11 L

Le DHC-E 11L exige une alimentation électrique de 208 V ou 220 V seulement. Ne pas utiliser une alimentation électrique de 120 V ou de 230-240 V.

### 9.3 Réglage de la température/protection anti-ébullissement



- Enfichez le câble de la régulation de température électronique sur la position A1 pour obtenir la température d'eau chaude sanitaire maximale de 60 °C (140 °F).

**La température maximale peut être limitée à 43 °C (109 °F) par le système électronique :**

- enfichez le câble de la régulation de température électronique sur la position A2.
- Mettez en place le capot plastique.

### 9.4 Bloc de câblage

Consultez le tableau ci-dessous pour connaître la pression de serrage recommandée pour les vis de la plaque à bornes.

Diamètre de vis (mm)	Torque (N•cm)	Torque (lbf•in)
M6	200-250	17.7-22.1

Utiliser la pression de serrage appropriée pour fixer les fils au bloc de câblage contribue à prévenir la perte de biens personnels et les dommages à la propriété.

## 10. Mise en service



### DANGER Électrocution

La mise en service doit être réalisée uniquement par un installateur agréé dans le respect des prescriptions de sécurité.



### ! Dommages sur l'appareil et sur l'environnement

Ouvrez le robinet d'eau chaude sanitaire pendant quelques minutes jusqu'à ce que l'eau s'écoule régulièrement et que la conduite d'eau ne contienne plus d'air. Avant de mettre sous tension, le capot plastique de l'appareil doit être en place.

- Activez les fusibles pour alimenter l'appareil en courant.
- Tournez le thermostat dans le sens horaire et anti-horaire pour l'étalonner.
- Le bouton du thermostat vous permet de régler la température souhaitée.
- Ouvrez le robinet d'eau chaude pendant quelques secondes jusqu'à ce que la température se stabilise.
- Vérifiez la température de l'eau en mettant la main sous le jet d'eau pour vous assurer qu'elle n'est pas trop chaude. Si nécessaire, réduisez la température. Une température de 42 °C à 47 °C (108 °F à 116 °F) est recommandée pour la plupart des applications.
- Expliquez le fonctionnement à l'utilisateur et familiarisez-le avec l'emploi de l'appareil.
- Attirez l'attention de l'utilisateur sur les dangers possibles (température de l'eau chaude sanitaire pouvant atteindre 60 °C [140 °F]).

## 11. Comment remédier aux défauts



### DANGER Électrocution

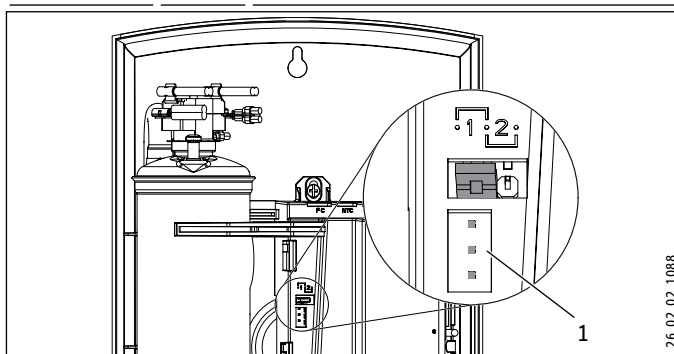
Pour pouvoir tester l'appareil, il doit être alimenté électriquement.

### 11.1 Possibilités d'affichage des DEL de diagnostic

Affichage



rouge	s'allume en cas de défaut.
jaune	s'allume lorsque l'appareil chauffe de l'eau.
vert	clignote : l'alimentation électrique de l'appareil est activée.



1 DEL de diagnostic



## 11.2 Tableau des pannes

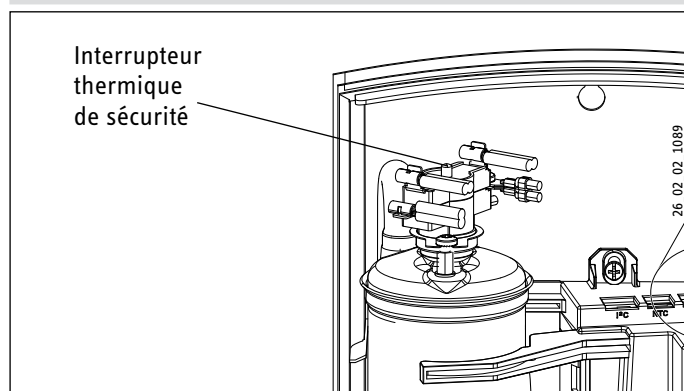
Problème	Cause	► Remède
Pas d'eau chaude sanitaire	Fusibles coupés	Activez les fusibles.
	Thermostat limiteur de sécurité déclenché	Supprimez le défaut et appuyez sur le thermostat limiteur de sécurité.
	Le débit volumétrique en eau est insuffisant pour activer l'appareil.	Nettoyez le filtre de l'appareil.  Nettoyez le régulateur de jet ou la pomme de douche.
Pas assez d'eau chaude.	Le filtre est obstrué.	Nettoyez le filtre de l'appareil.
L'eau n'est pas assez chaude.	Le débit volumétrique en eau est trop élevé.	Réduire le débit volumétrique en eau jusqu'à ce que le voyant sur le capot avant ne clignote plus.  Alimentez l'appareil avec la tension correcte.

- Si ces mesures ne permettent pas de supprimer le problème, contactez-nous (voir la dernière page) avant de décrocher l'appareil du mur. STIEBEL ELTRON se tient à votre disposition pour une assistance technique. Dans la plupart des cas, le problème peut être résolu par téléphone.

## 11.3 Renouveler l'interrupteur thermique de sécurité



**DANGER: Électrocution**  
N'essayez pas de réinitialiser l'interrupteur thermique de sécurité de ce chauffe-eau à moins que l'alimentation ait été complètement coupée au disjoncteur.



L'interrupteur thermique de sécurité du DHC-E a été conçue pour couper le courant électrique vers les éléments chauffants si l'eau sortait trop chaude. Lorsque l'interrupteur de sécurité est déclenché, il doit être réinitialisé manuellement.

Pour réinitialiser le interrupteur de sécurité, procédez comme suit:

- Coupez le disjoncteur reliés au chauffe-eau
- Retirez le couvercle avant du chauffe-eau
- Identifiez le interrupteur thermique sur le cartouche chauffante en cuivre. Le bouton du dessus sont le bouton de réinitialisation.
- Enfoncez-les, et remarquez si vous entendez un déclic lorsqu'ils s'enfoncent.

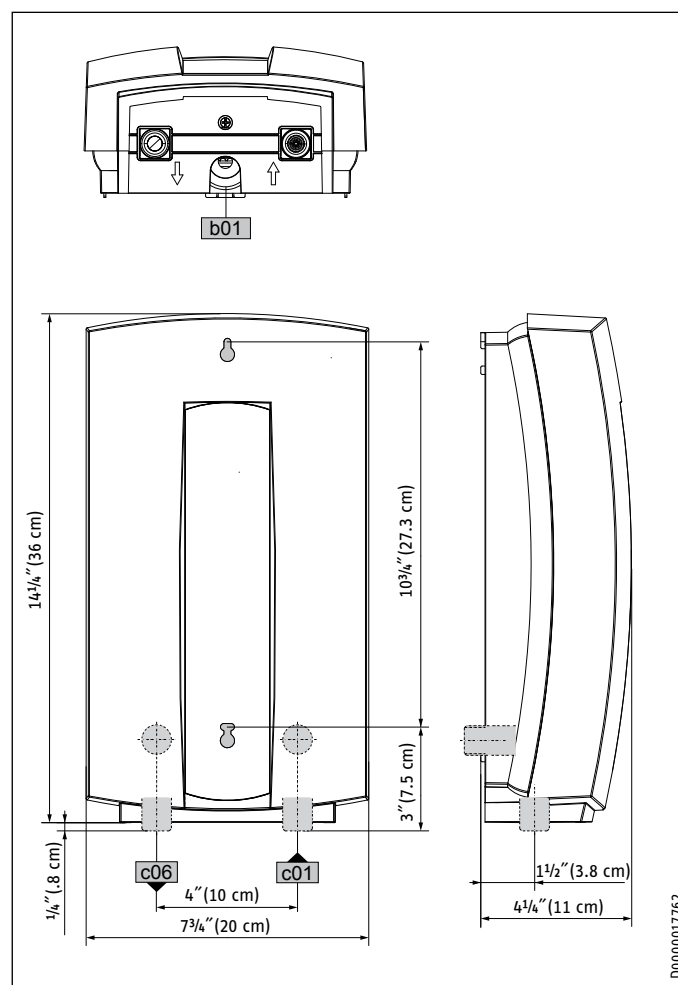
## 12. Maintenance

Les appareils de STIEBEL ELTRON sont conçus pour durer. Leur durée de vie effective dépend de la qualité de l'eau et de l'utilisation. L'appareil lui-même n'exige aucun entretien particulier.

Nous recommandons de supprimer régulièrement le tartre et les saletés qui peuvent s'accumuler dans le régulateur de jet du robinet ou sur la pomme de douche.

## 13. Données techniques

### 13.1 Plan de cotes




b01	Passage des câbles électriques I	
c01	Eau froide arrivée	1/2 po NPT
c06	ECS sortie	1/2 po NPT

# INSTALLATION

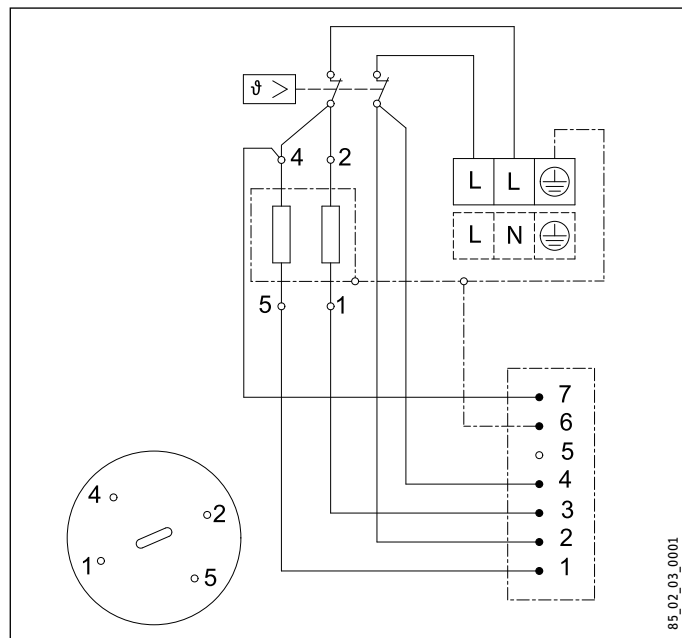
## DONNÉS TECHNIQUES

### 13.2 Schéma des connexions

DHC-E 8/10

 2/GRD ~ 208 / 240V

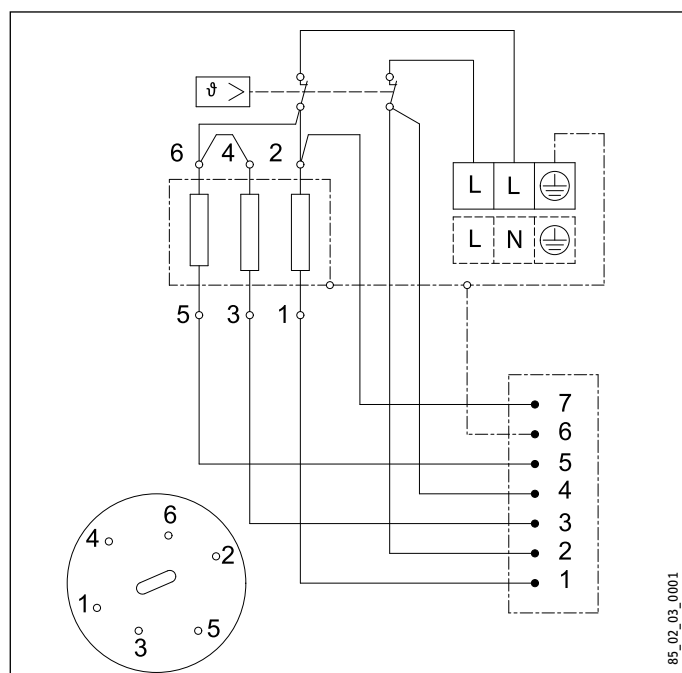
 1/N/PE ~ 220 / 230 / 240V




DHC-E 11 L

 2/GRD ~ 208 V

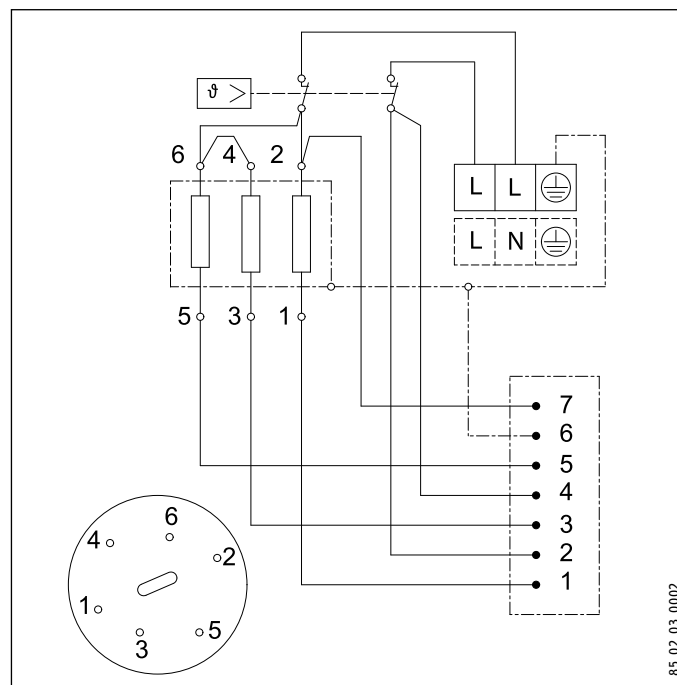
 1/N/PE ~ 220 V



DHC-E 12

 2/GRD ~ 208 / 240V

 1/N/PE ~ 220 / 230 / 240V



# INSTALLATION

## DONNÉS TECHNIQUES

### 13.3 Débits possibles pour différentes températures d'entrée et de sortie

#### Débit volumétrique ECS [ gpm ]

Température de sortie ECS 104 °F												
Température d'entrée de l'eau froide	°F	39	50	59	68	77	86	95	104	113	122	131
DHC-E 8/10	5,4 kW @ 208 V	0,57	0,68	0,82	1,02	1,36	2,04	4,09	-	-	-	-
	7,2 kW @ 240 V	0,76	0,91	1,09	1,36	1,82	2,72	5,45	-	-	-	-
	7,2 kW @ 208 V	0,76	0,91	1,09	1,36	1,82	2,72	5,45	-	-	-	-
	9,6 kW @ 240 V	1,01	1,21	1,45	1,82	2,42	3,63	6,61	-	-	-	-
DHC-E 11 L	10,4 @ 208 V	1,09	1,31	1,57	1,97	2,62	3,74	6,61	-	-	-	-
	11,6 kW @ 220 V	1,22	1,47	1,76	2,2	2,93	4,18	6,61	-	-	-	-
DHC-E 12	9 kW @ 208 V	0,95	1,14	1,36	1,70	2,27	3,23	6,47	-	-	-	-
	12 kW @ 240 V	1,26	1,51	1,82	2,27	3,03	4,31	6,61	-	-	-	-

Température de sortie ECS 113 °F												
Température d'entrée de l'eau froide	°F	39	50	59	68	77	86	95	104	113	122	131
DHC-E 8/10	5,4 kW @ 208 V	0,50	0,58	0,68	0,82	1,02	1,36	2,04	4,09	-	-	-
	7,2 kW @ 240 V	0,66	0,78	0,91	1,09	1,36	1,82	2,72	5,45	-	-	-
	7,2 kW @ 208 V	0,66	0,78	0,91	1,09	1,36	1,82	2,72	5,45	-	-	-
	9,6 kW @ 240 V	0,89	1,04	1,21	1,45	1,82	2,42	3,63	6,61	-	-	-
DHC-E 11 L	10,4 kW @ 208 V	0,96	1,12	1,31	1,57	1,97	2,49	3,74	6,61	-	-	-
	11,6 kW @ 220 V	1,07	1,26	1,47	1,76	2,2	2,79	4,18	6,61	-	-	-
DHC-E 12	9 kW @ 208 V	0,83	0,97	1,14	1,36	1,70	2,16	3,23	6,47	-	-	-
	12 kW @ 240 V	1,11	1,30	1,51	1,82	2,27	2,88	4,31	6,61	-	-	-

Température de sortie ECS 140 °F												
Température d'entrée de l'eau froide	°F	39	50	59	68	77	86	95	104	113	122	131
DHC-E 8/10	5,4 kW @ 208 V	0,36	0,41	0,45	0,51	0,58	0,68	0,82	1,02	1,36	2,04	4,09
	7,2 kW @ 240 V	0,49	0,54	0,61	0,68	0,78	0,91	1,09	1,36	1,82	2,72	5,45
	7,2 kW @ 208 V	0,49	0,54	0,61	0,68	0,78	0,91	1,09	1,36	1,82	2,72	5,45
	9,6 kW @ 240 V	0,65	0,73	0,81	0,91	1,04	1,21	1,45	1,82	2,42	3,63	6,61
DHC-E 11 L	10,4 @ 208 V	0,70	0,79	0,87	0,98	1,12	1,25	1,50	1,87	2,49	3,74	6,61
	11,6 kW @ 220 V	0,78	0,88	0,98	1,1	1,26	1,39	1,67	2,09	2,79	4,18	6,61
DHC-E 12	9 kW @ 208 V	0,61	0,68	0,76	0,85	0,97	1,08	1,29	1,62	2,16	3,23	6,47
	12 kW @ 240 V	0,81	0,91	1,01	1,14	1,30	1,44	1,73	2,16	2,88	4,31	6,61

#### Débit volumétrique ECS [ l/min ]

Température de sortie ECS 40 °C												
Température d'entrée de l'eau froide	°C	4	10	15	20	25	30	35	40	45	50	55
DHC-E 8/10	5,4 kW @ 208 V	2,15	2,58	3,09	3,87	5,16	7,73	15,47	-	-	-	-
	7,2 kW @ 240 V	2,86	3,44	4,12	5,16	6,87	10,31	20,62	-	-	-	-
	7,2 kW @ 208 V	2,86	3,44	4,12	5,16	6,87	10,31	20,62	-	-	-	-
	9,6 kW @ 240 V	3,82	4,58	5,50	6,87	9,16	13,75	25,00	-	-	-	-
DHC-E 11 L	10,4 @ 208 V	4,13	4,96	5,96	7,45	9,93	14,15	25,02	-	-	-	-
	11,6 kW @ 220 V	4,62	5,55	6,66	8,33	11,11	15,83	25,02	-	-	-	-
DHC-E 12	9 kW @ 208 V	3,58	4,30	5,16	6,44	8,59	12,24	24,49	-	-	-	-
	12 kW @ 240 V	4,77	5,73	6,87	8,59	11,46	16,32	25,00	-	-	-	-

Température de sortie ECS 45 °C												
Température d'entrée de l'eau froide	°C	4	10	1	20	25	30	35	40	45	50	55
DHC-E 8/10	5,4 kW @ 208 V	1,89	2,21	2,58	3,09	3,87	5,16	7,73	15,47	-	-	-
	7,2 kW @ 240 V	2,51	2,95	3,44	4,12	5,16	6,87	10,31	20,62	-	-	-
	7,2 kW @ 208 V	2,51	2,95	3,44	4,12	5,16	6,87	10,31	20,62	-	-	-
	9,6 kW @ 240 V	3,35	3,93	4,58	5,50	6,87	9,16	13,75	25,00	-	-	-
DHC-E 11 L	10,4 @ 208 V	3,62	4,26	4,96	5,96	7,45	9,43	14,15	25,02	-	-	-
	11,6 kW @ 220 V	4,05	4,76	5,55	6,66	8,33	10,55	15,83	25,02	-	-	-
DHC-E 12	9 kW @ 208 V	3,14	3,68	4,30	5,16	6,44	8,16	12,24	24,49	-	-	-
	12 kW @ 240 V	4,19	4,91	5,73	6,87	8,59	10,88	16,32	25,00	-	-	-

# INSTALLATION

## DONNÉES TECHNIQUES

### Température de sortie ECS 60 °C

Température d'entrée de l'eau froide	°C	4	10	15	20	25	30	35	40	45	50	55
DHC-E 8/10	5,4 kW @ 208 V	1,38	1,55	1,72	1,93	2,21	2,58	3,09	3,87	5,16	7,73	15,47
	7,2 kW @ 240 V	1,84	2,06	2,29	2,58	2,95	3,44	4,12	5,16	6,87	10,31	20,62
	7,2 kW @ 208 V	1,84	2,06	2,29	2,58	2,95	3,44	4,12	5,16	6,87	10,31	20,62
	9,6 kW @ 240 V	2,45	2,75	3,05	3,44	3,93	4,58	5,50	6,87	9,16	13,75	25,00
DHC-E 11 L	10,4 @ 208 V	2,65	2,98	3,31	3,72	4,26	4,72	5,66	7,07	9,43	14,15	25,02
	11,6 kW @ 220 V	2,97	3,33	3,7	4,17	4,76	5,28	6,33	7,91	10,55	15,83	25,02
DHC-E 12	9 kW @ 208 V	2,30	2,58	2,86	3,22	3,68	4,08	4,90	6,12	8,16	12,24	24,49
	12 kW @ 240 V	3,07	3,44	3,82	4,30	4,91	5,44	6,53	8,16	10,88	16,32	25,00

### 13.4 Tableau de données

	DHC-E 8/10*									
Numéro de l'article	224201 (Etats-Unis et Canada) / 234450 (Exportation)									
Phase	1	1	1	1	1	1	1	1	1	
Tension	V 208	220	230	240	208	220	230	240		
Fréquence	Hz 50 / 60	50 / 60	50 / 60	50 / 60	50 / 60	50 / 60	50 / 60	50 / 60	50 / 60	
Codeur	Position 1	1	1	1	2	2	2	2		
Puissance nominale	kW 5,4	6,0	6,6	7,2	7,2	8,1	8,8	9,6		
Courant nominal	A 26	28	29	30	35	37	39	40		
Taille requise disjoncteur <sup>1</sup>	A 30	30	30	30	35	40	40	40		
Taille de câble requise, cuivre <sup>2</sup>	AWG Cuivre 8	8	8	8	8	8	8	8		
Indice de protection conforme à	IP24									
Débit « en marche »	l/min / gpm	1,0 / 0,26								
Contenance nominale	l / gal	0,5 / 0,13								
Pression max, admissible	bar / MPa / psi	1 / 10 / 150								
Pression d'essai	bar / MPa / psi	2 / 20 / 300								
Poids	kg / lbs	2,7 / 5,9								
Raccordement hydraulique	1/2 po NPT									

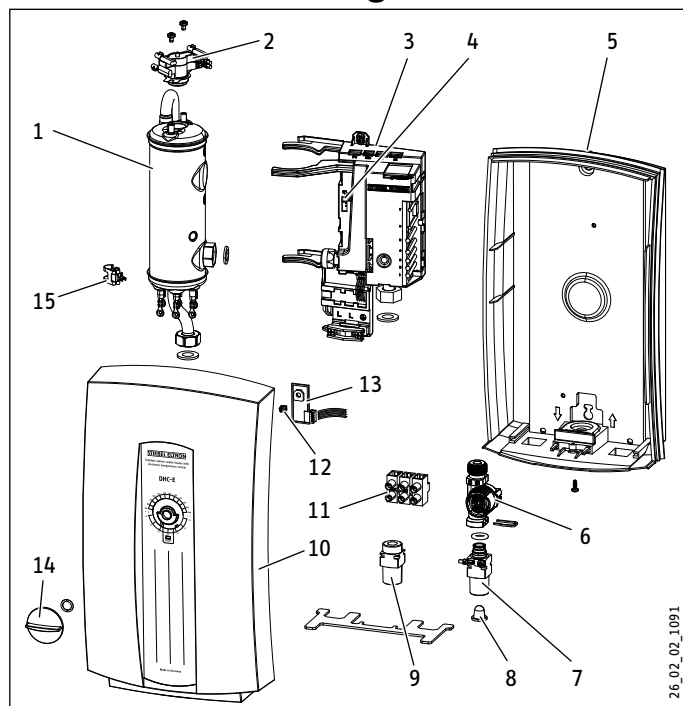
	DHC-E 11 L				DHC-E 12			
Numéro de l'article	235235 (Non disponible en Amérique du Nord)				230628 (Etats-Unis et Canada) / 234451 (Exportation)			
Phase	1	1	1	1	1	1	1	1
Tension	V 208	220	208	220	230	240		
Fréquence	Hz 50 / 60	50 / 60	50 / 60	50 / 60	50 / 60	50 / 60	50 / 60	50 / 60
Puissance nominale	kW 10,4	11,6	9	10	11	12		
Courant nominal	A 50	52,8	44	46	48	50		
Taille requise disjoncteur <sup>1</sup>	A 50	60	50	50	50	50		
Taille de câble requise, cuivre <sup>2</sup>	AWG Cuivre 6	6	6	6	6	6		
Indice de protection conforme à	IP24							
Débit « en marche »	l/min / gpm	1,0 / 0,26						
Contenance nominale	l / gal	0,5 / 0,13						
Max, Pression max, admissible	bar / MPa / psi	1 / 10 / 150						
Pression d'essai	bar / MPa / psi	2 / 20 / 300						
Poids	kg / lbs	2,7 / 5,9						
Raccordement hydraulique	1/2 po NPT							

\* Les modèles DHC-E 8/10 sont réglés à 7,2 kW (Niveau 1) ou 9,6 kW (Niveau 2) lors de l'installation par le biais d'un cavalier.

<sup>1</sup> Ceci est notre recommandation pour la protection de surintensité à 100% de la charge. Vérifiez les codes locaux de la conformité si nécessaire. Les chauffe-eau sans réservoir sont considérés comme une charge non continue.

<sup>2</sup> Des conducteurs en cuivre avec une température nominale de 75 °C ou plus doivent être utilisés. Les conducteurs doivent être choisis pour maintenir une baisse de tension inférieure à 3% sous tension.

### 14. Pièces de rechange



N°	Pièces de rechange	DHC-E 8/10	DHC-E 11 L	DHC-E 12
1	Système de chauffe	292275	320979	292276
2	Thermostat limiteur de température (STB)	286369	286369	286369
3	Module électronique	291851	291852	291852
4	Codeur	283455	-	-
5	Paroi arrière du boîtier	292578	292578	292578
6	Mesureur de débit (DFE)	286461	286461	286461
7	Raccord fileté pour eau froide	291699	291699	291699
8	Filtre	252430	252430	252430
9	Raccord fileté pour eau chaude	278634	278634	278634
10	Capuchon pour boîtier	292577	292577	292577
11	Bornier de raccordement au secteur	279998	279998	279998
12	Demi-arbre	254312	254312	254312
13	Carte (générateur de valeur de consigne)	286359	286359	286359
14	Bouton du thermostat	254307	254307	254307
15	Sonde de température (NTC)	280677	280677	280677

## 15. Garantie

Sous réserve du respect des termes et conditions définis dans la présente garantie à vie limitée, Stiebel Eltron, Inc. (ci-après, le « Fabricant ») garantit à l'acheteur d'origine (ci-après le « Propriétaire ») que tous les chauffe-eau électrique sans réservoir (ci-après, le « Chauffe-eau ») ne doit pas (i) des fuites dues à des défauts de matériaux ou de fabricant de fabrication pendant une période de sept (7) ans à compter de la date d'achat ou (ii) l'échec en raison de défauts dans les matériaux ou de fabrication du fabricant pour une période de trois (3) ans à compter de la date d'achat. Le seul et unique recours du propriétaire dans le cadre de la garantie susmentionnée sera pour le Propriétaire de soit réparer en usine, soit remplacer le Chauffe-eau défectueux (à la discrétion du fabricant) avec soit un appareil de rechange, soit une ou des pièces ayant les mêmes caractéristiques d'exploitation. La responsabilité financière maximale du Fabricant ne pourra en aucun cas aller au-delà du prix d'achat du le Chauffe-eau.

Cette garantie limitée représente la seule garantie accordée par le fabricant et annule toute les autres garanties, orales ou écrites, expresses ou implicites, y compris, mais sans y être limitées les garanties de qualité marchande ou d'aptitude à un usage particulier. Le fabricant rejette toute responsabilité pour les dommages ou frais indirects, consécutifs ou autres résultant directement ou indirectement de tout vice présent dans le chauffe-eau ou survenu lors de l'usage du Chauffe-eau. Le fabricant rejette toute responsabilité pour tout dégât des eaux ou tout autre dégât matériel encouru par le propriétaire, résultant directement ou indirectement de tout vice présent dans le Chauffe-eau ou survenu lors de l'usage du Chauffe-eau. Seul le Fabricant est autorisé à énoncer les garanties au nom du Fabricant et aucune déclaration, garantie ou autre document énoncé par une tierce partie ne saurait engager la responsabilité du Fabricant.

Le Fabricant rejette toute responsabilité pour tout dommage causé par ou en relation avec :

1. toute mauvaise utilisation ou négligence du chauffe-eau, tout accident subi par le chauffe-eau, toute modification du chauffe-eau ou tout autre usage non prévu,
2. les calamités naturelles ou toute autre circonstance sur laquelle le fabricant n'a aucun contrôle,
3. l'installation du chauffe-eau autre que conformément aux directives du fabricant et autre que conformément

aux codes de la construction en vigueur,

4. le non-respect des procédures d'entretien du chauffe-eau ou l'utilisation du chauffe-eau non conformes aux directives du fabricant,
5. l'utilisation du chauffe-eau avec une pression d'eau irrégulière ou dans le cas où le chauffe-eau serait alimenté en eau non potable pour toute durée que ce soit,
6. une installation incorrecte ou l'utilisation de matériaux incorrects par un installateur et sans relation avec les vices de fabrication ou de matériel du fabricant,
7. déplacer le Chauffe-eau de son lieu d'installation d'origine;
8. l'exposition au gel,
9. problèmes de qualité de l'eau comme l'eau corrosive, l'eau dure et de l'eau contaminée par des polluants ou des additifs,

Si le Propriétaire désire renvoyer le Chauffe-eau au Fabricant pour qu'il soit réparé ou remplacé dans le cadre de cette Garantie, le Propriétaire doit d'abord obtenir l'autorisation écrite du Fabricant. Le Propriétaire doit apporter la preuve d'achat, y compris la date d'achat, et sera responsable de tous les frais de transport et de dépose. Si le Propriétaire ne peut pas apporter la preuve de la date d'achat, cette Garantie sera limitée à la période commençant à la date de fabrication estampée sur le Chauffe-eau. Le Fabricant se réserve le droit de rejeter toute couverture de la Garantie à la suite d'une inspection du Chauffe-eau par le Fabricant. Cette Garantie ne s'applique qu'au propriétaire et ne peut pas être transférée.

Certains États et Provinces n'autorisent pas l'exclusion ou la limitation de certaines garanties. Dans ce cas, les limites ci-mentionnées peuvent ne pas s'appliquer au propriétaire. Dans ce cas, la Garantie sera limitée à la période la plus courte et aux dommages et intérêts les plus faibles autorisés par la loi. Cette garantie vous octroie des droits légaux spécifiques. Il est toutefois possible que vous ayez d'autres droits en fonction de votre juridiction.

Le Propriétaire sera responsable de tous les frais de main-d'œuvre et autres encourus lors de la dépose ou de la réparation du Chauffe-eau sur le chantier. Veuillez également noter que le Chauffe-eau doit être installé de sorte qu'en cas de fuite, l'eau qui s'écoule doit couler de façon à ne pas endommager l'endroit où il est installé.

## Environnement et recyclage

Veuillez nous aider à protéger l'environnement en mettant les matériaux d'emballage au rebut conformément aux règlements nationaux relatifs au traitement des déchets.

Cette garantie n'est valide que pour le Canada et les États-Unis. Les garanties varient en fonction du pays. Veuillez vous adresser à votre représentant local Stiebel Eltron pour plus de détails sur la garantie s'appliquant à votre pays.



**L'installation, le branchement électrique et la première mise en route de cet appareil doivent être exécutés par un prestataire qualifié.**



**La société rejette toute responsabilité pour toute défaillance du produit livré qui n'aurait pas été installé et mis en route conformément aux directives du fabricant.**

---

## NOTES

---

## United States of America

STIEBEL ELTRON, Inc.

17 West Street | West Hatfield, MA 01088

Tel. 0413 247-3380 | Fax 0413 247-3369

Toll-free 800.582.8423

info@stiebel-eltron-usa.com

www.stiebel-eltron-usa.com

## Austria

STIEBEL ELTRON Ges.m.b.H.

Eferdinger Str. 73 | 4600 Wels

Tel. 07242 47367-0 | Fax 07242 47367-42

info@stiebel-eltron.at

www.stiebel-eltron.at

## Belgium

STIEBEL ELTRON bvba/sprl

't Hofveld 6 - D1 | 1702 Groot-Bijgaarden

Tel. 02 42322-22 | Fax 02 42322-12

info@stiebel-eltron.be

www.stiebel-eltron.be

## Czech Republic

STIEBEL ELTRON spol. s r.o.

K Hájem 946 | 155 00 Praha 5 - Stodůlky

Tel. 251116-111 | Fax 235512-122

info@stiebel-eltron.cz

www.stiebel-eltron.cz

## Denmark

Pettinaroli A/S

Mandal Allé 21 | 5500 Middelfart

Tel. 06341 666-6 | Fax 06341 666-0

info@pettinaroli.dk

www.stiebel-eltron.dk

## Deutschland

STIEBEL ELTRON GmbH & Co. KG

Dr.-Stiebel-Straße | 37603 Holzminden

Tel. 05531 702-0 | Fax 05531 702-480

info@stiebel-eltron.de

www.stiebel-eltron.de

## Finland

Insinööritoimisto Olli Andersson Oy

Kapinakuja 1 | 04600 Mäntsälä

Tel. 020 720-9988 | Fax 020 720-9989

info@stiebel-eltron.fi

www.stiebel-eltron.fi

## France

STIEBEL ELTRON SAS

7-9, rue des Selliers

B.P 85107 | 57073 Metz-Cédex 3

Tel. 0387 7438-88 | Fax 0387 7468-26

info@stiebel-eltron.fr

www.stiebel-eltron.fr

## Hungary

STIEBEL ELTRON Kft.

Pacsirtamező u. 41 | 1036 Budapest

Tel. 01 250-6055 | Fax 01 368-8097

info@stiebel-eltron.hu

www.stiebel-eltron.hu

## Japan

NIHON STIEBEL Co. Ltd.

Ebara building 3F

2-9-3 Hamamatsu-cho

Minato-Ku | 105-0013 Tokyo

Tel. 03 34364662 | Fax 03 34594365

info@nihonstiebel.co.jp

www.nihonstiebel.co.jp

## Netherlands

STIEBEL ELTRON Nederland B.V.

Daviottenweg 36

5222 BH 's-Hertogenbosch

Tel. 073 623-0000 | Fax 073 623-1141

stiebel@stiebel-eltron.nl

www.stiebel-eltron.nl

## Poland

STIEBEL ELTRON Polska Sp. z o.o.

ul. Instalatorów 9 | 02-237 Warszawa

Tel. 022 60920-30 | Fax 022 60920-29

stiebel@stiebel-eltron.com.pl

www.stiebel-eltron.com.pl

## Russia

STIEBEL ELTRON LLC RUSSIA

Urzhumskaya street 4,

building 2 | 129343 Moscow

Tel. 0495 7753889 | Fax 0495 7753887

info@stiebel-eltron.ru

www.stiebel-eltron.ru

## Slovakia

TATRAMAT - ohrievače vody, s.r.o.

Hlavná 1 | 058 01 Poprad

Tel. 052 7127-125 | Fax 052 7127-148

info@stiebel-eltron.sk

www.stiebel-eltron.sk

## Sweden

STENERGY

Vasagatan 14 | 545 30 Töreboda

Sales:

Tel. 0506 105-10 | info@stiebel-eltron.se

Technique & Service:

Tel. 0150 54200 | info@heatech.se

www.stiebel-eltron.se

## Switzerland

STIEBEL ELTRON AG

Netzibodenstr. 23 c | 4133 Pratteln

Tel. 061 81693-33 | Fax 061 81693-44

info@stiebel-eltron.ch

www.stiebel-eltron.ch

## Thailand

STIEBEL ELTRON Asia Ltd.

469 Moo 2 Tambol Klong-Jik

Amphur Bangpa-In | 13160 Ayutthaya

Tel. 035 220088 | Fax 035 221188

info@stiebeltronasia.com

www.stiebeltronasia.com

## United Kingdom and Ireland

STIEBEL ELTRON UK Ltd.

Unit 12 Stadium Court

Stadium Road | CH62 3RP Bromborough

Tel. 0151 346-2300 | Fax 0151 334-2913

info@stiebel-eltron.co.uk

www.stiebel-eltron.co.uk

**STIEBEL ELTRON**



Irrtum und technische Änderungen vorbehalten! | Subject to errors and technical changes! | Sous réserve d'erreurs et de modifications techniques! | Onder voorbehoud van vergissingen en technische wijzigingen! | Salvo error o modificación técnica! | Rätt till misstag och tekniska ändringar förbehålls! | Excepto erro ou alteração técnica | Zastrzeżone zmiany techniczne i ewentualne błędy | Omyly a technické změny jsou vyhrazeny! | A muszáki változtatások és tévedések jogát fenntartjuk! | Отсутствие ошибок не гарантируется. Возможны технические изменения. | Chyby a technické zmeny sú vyhradené! Stand 8643