

# 1-ABS SERIES

## APPLICATIONS

The submersible pump with sump-type pick-up 1-ABS offers low on and off levels and is ideal for in-pan placement for condensate removal. An integrated, unique float switch design assures reliability and security while providing easy access to the float for servicing.



## FEATURES

- Permanently lubricated motor bearings require no maintenance during life of pump
- Oil-filled motor to maximize heat dissipation
- Epoxy-coated cast aluminum pump housing
- Automatic on-off operation
- Easy to remove float housing for servicing
- Removable inlet filter screen
- 90° ¼" MNPT adapter (suitable for 12.7 mm (½") I.D. vinyl tubing)
- Low on and off level – turns on at 44.45 mm (1-¾") and off at 31.75 mm (1-¼") – will operate in most standard condensate drain pans
- Suitable for intermittent water temperature up to 49 °C
- Tank available as accessory (optional: 150102)

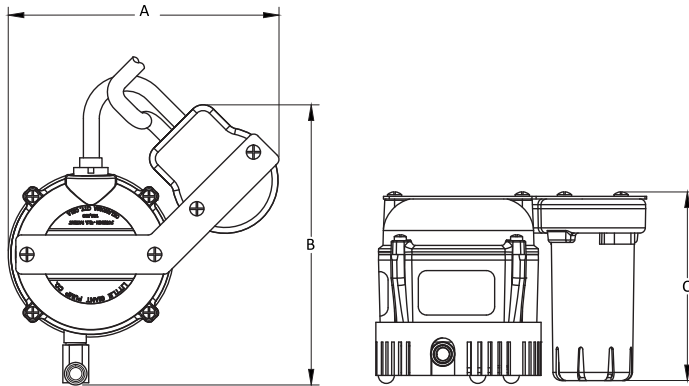


## SPECIFICATIONS

Code	Model	HP	Input Voltage	Hz	Amps	Watts	Discharge Size	Shut-Off [m]	Bar	Cord	Weight [kg]
550531	1-ABS	½ <sub>iso</sub>	230	50	0.6	70	¼" MNPT	3 (10')	0.3	3.4 m (11')	1.95 (4.31 lbs)

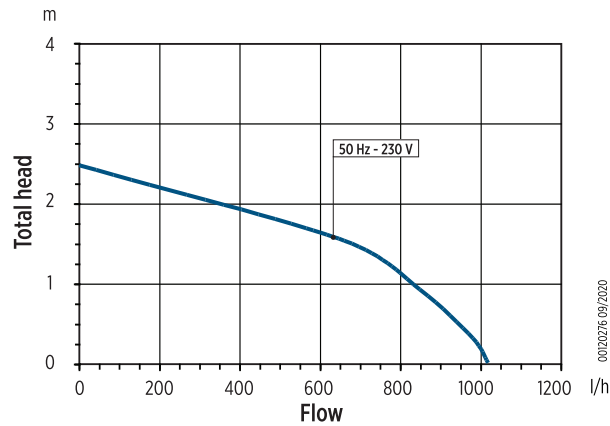


## DIMENSIONS



A	B	C
155 mm (6.09")	160.5 mm (6.32")	109.5 mm (4.31")

## PERFORMANCE DATA



## MATERIAL

Part description	Material
Motor	1/50 HP
Discharge	1/4" MNPT
Housing	Epoxy-coated cast aluminum
Cover	Epoxy-coated cast aluminum
Volute	Nylon
Impeller	Nylon
Shaft Seal	Nitrile
Screen	Polypropylene
Switch Bracket	Stainless steel
Switch	ABS

Version		Q = DELIVERY					
Input Voltage	Hz	l/h 0	200	400	600	800	1000
		US GPM 0	0.73	1.46	2.2	2.9	3.66
H = TOTAL HEAD METRES COLUMN OF WATER [m]							
230	50	2.5	2.25	1.9	1.6	1.2	0.25