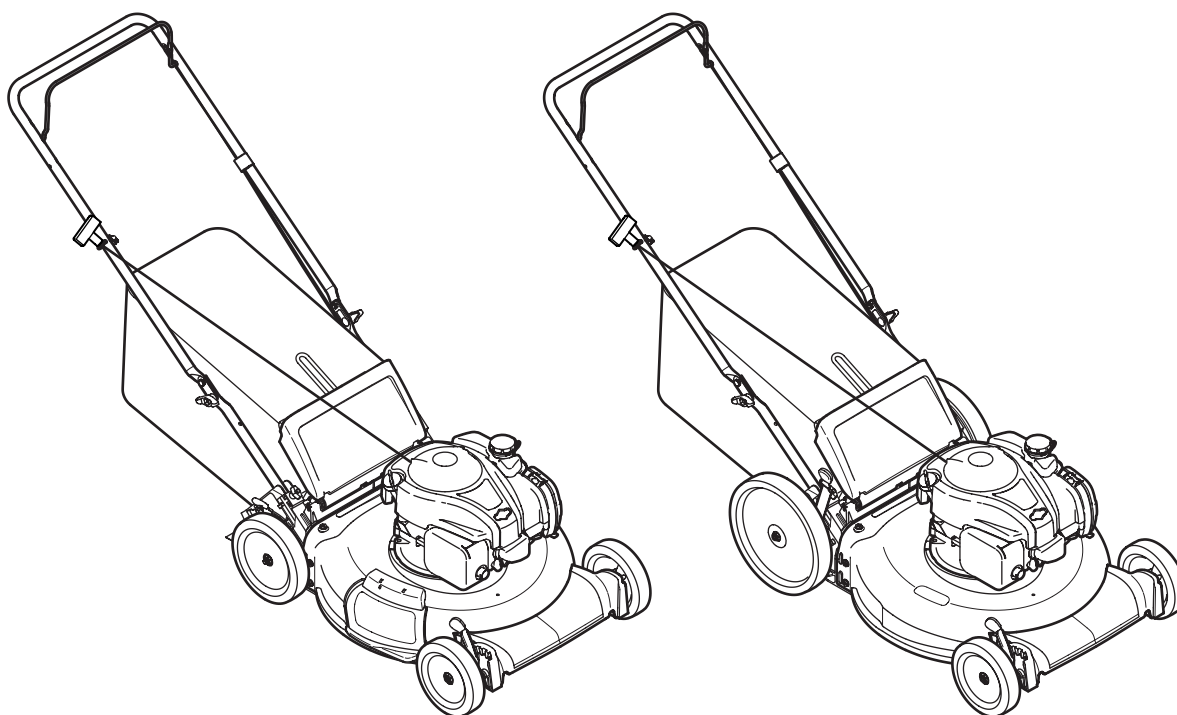


# OPERATOR'S MANUAL



**Push Mower — Model Series A00, A10, A20, B00, B10, B20, & B90**

**⚠ WARNING**

**READ AND FOLLOW ALL SAFETY RULES AND INSTRUCTIONS IN THIS MANUAL  
BEFORE ATTEMPTING TO OPERATE THIS MACHINE.  
FAILURE TO COMPLY WITH THESE INSTRUCTIONS MAY RESULT IN PERSONAL INJURY.**

---

MTD LLC, P.O. BOX 361131 CLEVELAND, OHIO 44136-0019

---

## Thank You

Thank you for purchasing a Lawn Mower manufactured by MTD. It was carefully engineered to provide excellent performance when properly operated and maintained.

Please read this entire manual prior to operating the equipment. It instructs you how to safely and easily set up, operate and maintain your machine. Please be sure that you, and any other persons who will operate the machine, carefully follow the recommended safety practices at all times. Failure to do so could result in personal injury or property damage.

All information in this manual is relative to the most recent product information available at the time of printing. Review this manual frequently to familiarize yourself with the machine, its features and operation. Please be aware that this Operator's Manual may cover a range of product specifications for various models. Characteristics and features discussed and/or illustrated in this manual may not be applicable to all models. We reserve the right to change product specifications, designs and equipment without notice and without incurring obligation.

If applicable, the power testing information used to establish the power rating of the engine equipped on this machine can be found at [www.opei.org](http://www.opei.org) or the engine manufacturer's web site.

If you have any problems or questions concerning the machine, phone your local authorized MTD service dealer or contact us directly. MTD's Customer Support telephone numbers, website address and mailing address can be found on this page. We want to ensure your complete satisfaction at all times.

Throughout this manual, all references to *right* and *left* side of the machine are observed from the operating position

The engine manufacturer is responsible for all engine-related issues with regards to performance, power-rating, specifications, warranty and service. Please refer to the engine manufacturer's Owner's/Operator's Manual, packed separately with your machine, for more information.

---

## Table of Contents

<b>Safe Operation Practices</b> .....	<b>3</b>	<b>Troubleshooting</b> .....	<b>17</b>
<b>Assembly &amp; Set-Up</b> .....	<b>9</b>	<b>Replacement Parts</b> .....	<b>18</b>
<b>Controls &amp; Features</b> .....	<b>13</b>	<b>Attachments &amp; Accessories</b> .....	<b>20</b>
<b>Operation</b> .....	<b>14</b>	<b>Warranty</b> .....	<b>22</b>
<b>Maintenance &amp; Adjustment</b> .....	<b>15</b>	<b>Spanish</b> .....	<b>23</b>
<b>Service</b> .....	<b>16</b>		

---

## Record Product Information

Before setting up and operating your new equipment, please locate the model plate on the equipment and record the information in the provided area to the right. You can locate the model plate by standing at the operator's position and looking down at the rear of the deck. This information will be necessary, should you seek technical support via our web site, Customer Support Department, or with a local authorized service dealer.

### MODEL NUMBER

--	--	--	--	--	--	--	--	--	--	--	--

### SERIAL NUMBER

--	--	--	--	--	--	--	--	--	--	--	--

---

## Customer Support

**Please do NOT return the machine to the retailer or dealer without first contacting the Customer Support Department.**

If you have difficulty assembling this product or have any questions regarding the controls, operation, or maintenance of this machine, you can seek help from the experts. Choose from the options below:

- ◇ Visit us on the web at [www.mtdproducts.com](http://www.mtdproducts.com)



See How-to Maintenance and Parts Installation Videos at [www.mtdparts.com/KnowledgeCenter](http://www.mtdparts.com/KnowledgeCenter)

- ◇ Call a Customer Support Representative at (800) 800-7310 or (330) 220-4683
- ◇ Write to MTD LLC • P.O. Box 361131 • Cleveland, OH • 44136-0019



**WARNING:** This symbol points out important safety instructions which, if not followed, could endanger the personal safety and/or property of yourself and others. Read and follow all instructions in this manual before attempting to operate this machine. Failure to comply with these instructions may result in personal injury.

When you see this symbol. **HEED ITS WARNING!**

## CALIFORNIA PROPOSITION 65



**WARNING:** Engine Exhaust, some of its constituents, and certain vehicle components contain or emit chemicals known to State of California to cause cancer and birth defects or other reproductive harm.



**WARNING:** Battery posts, terminals, and related accessories contain lead and lead compounds, chemicals known to the State of California to cause cancer and reproductive harm. *Wash hands after handling.*



**DANGER:** This machine was built to be operated according to the safe operation practices in this manual. As with any type of power equipment, carelessness or error on the part of the operator can result in serious injury. This machine is capable of amputating fingers, hands, toes and feet and throwing objects. Failure to observe the following safety instructions could result in serious injury or death.

## General Operation

1. Read this operator's manual carefully in its entirety before attempting to assemble this machine. Read, understand, and follow all instructions on the machine and in the manual(s) before operation. Keep this manual in a safe place for future and regular reference and for ordering replacement parts.
2. Be completely familiar with the controls and the proper use of this machine before operating it.
3. This machine is a precision piece of power equipment, not a plaything. Therefore, exercise extreme caution at all times. This machine has been designed to perform one job: to mow grass. Do not use it for any other purpose.
4. Never allow children under 14 years of age to operate this machine. Children 14 and over should read and understand the instructions and safe operation practices in this manual and on the machine and should be trained and supervised by an adult.
5. Only responsible individuals who are familiar with these rules of safe operation should be allowed to use this machine.
6. Thoroughly inspect the area where the equipment is to be used. Remove all stones, sticks, wire, bones, toys and other foreign objects, which could be tripped over or picked up and thrown by the blade. Thrown objects can cause serious personal injury.
7. Plan your mowing pattern to avoid discharge of material toward roads, sidewalks, bystanders and the like. Also, avoid discharging material against a wall or obstruction, which may cause discharged material to ricochet back toward the operator.
8. To help avoid blade contact or a thrown object injury, stay in operator zone behind handles and keep children, bystanders, helpers and pets at least 75 feet from mower while it is in operation. Stop machine if anyone enters area.
9. Always wear safety glasses or safety goggles during operation and while performing an adjustment or repair to protect your eyes. Thrown objects which ricochet can cause serious injury to the eyes.
10. Wear sturdy, rough-soled work shoes and close-fitting slacks and shirts. Shirts and pants that cover the arms and legs and steel-toed shoes are recommended. Never operate this machine in bare feet, sandals, slippery or light-weight (e.g. canvas) shoes.
11. Do not put hands or feet near rotating parts or under the cutting deck. Contact with blade can amputate fingers, hands, toes and feet.

12. A missing or damaged discharge cover can cause blade contact or thrown object injuries.
13. Many injuries occur as a result of the mower being pulled over the foot during a fall caused by slipping or tripping. Do not hold on to the mower if you are falling; release the handle immediately.
14. Never pull the mower back toward you while you are walking. If you must back the mower away from a wall or obstruction first look down and behind to avoid tripping and then follow these steps:
  - a. Step back from mower to fully extend your arms.
  - b. Be sure you are well balanced with sure footing.
  - c. Pull the mower back slowly, no more than half way toward you.
  - d. Repeat these steps as needed.
15. Do not operate the mower while under the influence of alcohol or drugs.
16. Do not engage the self-propelled mechanism on machines so equipped while starting engine.
17. The blade control is a safety device. Never attempt to bypass its operation. Doing so makes the safety device inoperative and may result in personal injury through contact with the rotating blade. The blade control must operate easily in both directions and automatically return to the disengaged position when released.
18. Never operate the mower in wet grass. Always be sure of your footing. A slip and fall can cause serious personal injury. If you feel you are losing your footing, release the blade control handle immediately and the blade will stop rotating within three seconds.
19. Mow only in daylight or good artificial light. Walk, never run.
20. Stop the blade when crossing gravel drives, walks or roads.
21. If the equipment should start to vibrate abnormally, stop the engine and check immediately for the cause. Vibration is generally a warning of trouble.
22. Shut the engine off and wait until the blade comes to a complete stop before removing the grass catcher or unclogging the chute. The cutting blade continues to rotate for a few seconds after the blade control is released. Never place any part of the body in the blade area until you are sure the blade has stopped rotating.
23. Never operate mower without proper trail shield, discharge cover, grass catcher, blade control or other safety protective devices in place and working. Never operate mower with damaged safety devices. Failure to do so can result in personal injury.
24. Muffler and engine become hot and can cause a burn. Do not touch.
25. Never attempt to make a wheel or cutting height adjustment while the engine is running.
26. Only use parts and accessories made for this machine by the manufacturer. Failure to do so can result in personal injury.
27. When starting engine, pull cord slowly until resistance is felt, then pull rapidly. Rapid retraction of starter cord (kickback) will pull hand and arm toward engine faster than you can let go. Broken bones, fractures, bruises or sprains could result.
28. If situations occur which are not covered in this manual, use care and good judgement. Contact Customer Support for assistance or the name of the nearest service dealer.

## Slope Operation

Slopes are a major factor related to slip and fall accidents, which can result in severe injury. Operation on slopes requires extra caution. If you feel uneasy on a slope, do not mow it. For your safety, use the slope gauge included as part of this manual to measure slopes before operating this machine on a sloped or hilly area. If the slope is greater than 15 degrees, do not mow it.

### Do:

1. Mow across the face of slopes; never up and down. Exercise extreme caution when changing direction on slopes.
2. Watch for holes, ruts, rocks, hidden objects, or bumps which can cause you to slip or trip. Tall grass can hide obstacles.
3. Always be sure of your footing. A slip and fall can cause serious personal injury. If you feel you are losing your balance, release the blade control handle immediately and the blade will stop rotating within three (3) seconds.

### Do Not:

1. Do not mow near drop-offs, ditches or embankments, you could lose your footing or balance.
2. Do not mow slopes greater than 15 degrees as shown on the slope gauge.
3. Do not mow on wet grass. Unstable footing could cause slipping.

## Children

Tragic accidents can occur if the operator is not alert to the presence of children. Children are often attracted to the mower and the mowing activity. They do not understand the dangers. Never assume that children will remain where you last saw them.

1. Keep children out of the mowing area and under watchful care of a responsible adult other than the operator.
2. Be alert and turn mower off if a child enters the area.
3. Before and while moving backwards, look behind and down for small children.
4. Use extreme care when approaching blind corners, doorways, shrubs, trees, or other objects that may obscure your vision of a child who may run into the mower.
5. Keep children away from hot or running engines. They can suffer burns from a hot muffler.
6. Never allow children under 14 years of age to operate this machine. Children 14 and over should read and understand the instructions and safe operation practices in this manual and on the machine and be trained and supervised by an adult.
7. After stopping engine, remove Electric Start Push Key (if equipped) and keep it in a safe place out of the reach of children.

## Service

### Safe Handling Of Gasoline:

1. To avoid personal injury or property damage use extreme care in handling gasoline. Gasoline is extremely flammable and the vapors are explosive. Serious personal injury can occur when gasoline is spilled on yourself or your clothes, which can ignite. Wash your skin and change clothes immediately.
2. Use only an approved gasoline container.
3. Never fill containers inside a vehicle or on a truck or trailer bed with a plastic liner. Always place containers on the ground away from your vehicle before filling.
4. Remove gas-powered equipment from the truck or trailer and refuel it on the ground. If this is not possible, then refuel such equipment on a trailer with a portable container, rather than from a gasoline dispenser nozzle.
5. Keep the nozzle in contact with the rim of the fuel tank or container opening at all times until fueling is complete. Do not use a nozzle lock-open device.
6. Extinguish all cigarettes, cigars, pipes and other sources of ignition.
7. Never fuel machine indoors because flammable vapors will accumulate in the area.
8. Never remove gas cap or add fuel while engine is hot or running. Allow engine to cool at least two minutes before refueling.
9. Never over fill fuel tank. Fill tank to no more than 1 inch below bottom of filler neck to provide for fuel expansion.
10. Replace gasoline cap and tighten securely.
11. If gasoline is spilled, wipe it off the engine and equipment. Move machine to another area. Wait 5 minutes before starting engine.
12. Never store the machine or fuel container near an open flame, spark or pilot light as on a water heater, space heater, furnace, clothes dryer or other gas appliances.
13. To reduce fire hazard, keep machine free of grass, leaves, or other debris build-up. Clean up oil or fuel spillage and remove any fuel soaked debris.
14. Allow machine to cool at least 5 minutes before storing.
3. Check the blade and engine mounting bolts at frequent intervals for proper tightness. Also, visually inspect blade for damage (e.g., bent, cracked, worn) Replace blade with the original equipment manufacturer's (O.E.M.) blade only, listed in this manual. "Use of parts which do not meet the original equipment specifications may lead to improper performance and compromise safety!"
4. Mower blades are sharp and can cut. Wrap the blade or wear gloves, and use extra caution when servicing them.
5. Keep all nuts, bolts, and screws tight to be sure the equipment is in safe working condition.
6. Never tamper with safety devices. Check their proper operation regularly.
7. After striking a foreign object, stop the engine, disconnect the spark plug wire and ground against the engine. Thoroughly inspect the mower for any damage. Repair the damage before starting and operating the mower.
8. Never attempt to make a wheel or cutting height adjustment while the engine is running.
9. Grass catcher components, discharge cover, and trail shield are subject to wear and damage which could expose moving parts or allow objects to be thrown. For safety protection, frequently check components and replace immediately with original equipment manufacturer's (O.E.M.) parts only, listed in this manual. "Use of parts which do not meet the original equipment specifications may lead to improper performance and compromise safety!"
10. Do not change the engine's governor setting or over-speed the engine. The governor controls the maximum safe operating speed of the engine.
11. Check fuel line, tank, cap, and fittings frequently for cracks or leaks. Replace if necessary.
12. Do not crank engine with spark plug removed.
13. Maintain or replace safety and instruction labels, as necessary.
14. Observe proper disposal laws and regulations. Improper disposal of fluids and materials can harm the environment.
15. According to the Consumer Products Safety Commission (CPSC) and the U.S. Environmental Protection Agency (EPA), this product has an *Average Useful Life* of seven (7) years, or 140 hours of operation. At the end of the *Average Useful Life* have the machine inspected annually by an authorized service dealer to ensure that all mechanical and safety systems are working properly and not worn excessively. Failure to do so can result in accidents, injuries or death.

### General Service:

1. Never run an engine indoors or in a poorly ventilated area. Engine exhaust contains carbon monoxide, an odorless and deadly gas.
2. Before cleaning, repairing, or inspecting, make certain the blade and all moving parts have stopped. Disconnect the spark plug wire and ground against the engine and remove Electric Start Push Key (if equipped) to prevent unintended starting.

### Do not modify engine

To avoid serious injury or death, do not modify engine in any way. Tampering with the governor setting can lead to a runaway engine and cause it to operate at unsafe speeds. Never tamper with factory setting of engine governor.

## Notice Regarding Emissions

Engines which are certified to comply with California and federal EPA emission regulations for SORE (Small Off Road Equipment) are certified to operate on regular unleaded gasoline, and may include the following emission control systems: Engine Modification (EM), Oxidizing Catalyst (OC), Secondary Air Injection (SAI) and Three Way Catalyst (TWC) if so equipped.

## Spark Arrestor












**WARNING:** This machine is equipped with an internal combustion engine and should not be used on or near any unimproved forest-covered, brush covered or grass-covered land unless the engine's exhaust system is equipped with a spark arrestor meeting applicable local or state laws (if any).

If a spark arrestor is used, it should be maintained in effective working order by the operator. In the State of California the above is required by law (Section 4442 of the California Public Resources Code). Other states may have similar laws. Federal laws apply on federal lands.

A spark arrestor for the muffler is available through your nearest engine authorized service dealer or contact the service department, P.O. Box 361131 Cleveland, Ohio 44136-0019.

## Safety Symbols

This page depicts and describes safety symbols that may appear on this product. Read, understand, and follow all instructions on the machine before attempting to assemble and operate.

Symbol	Description
	<b>READ THE OPERATOR'S MANUAL(S)</b> Read, understand, and follow all instructions in the manual(s) before attempting to assemble and operate.
	<b>DANGER — ROTATING BLADES</b> To reduce the risk of injury, keep hands and feet away. Do not operate unless discharge cover or grass catcher is in its proper place. If damaged, replace immediately.
	<b>DANGER — BYSTANDERS</b> Do not mow when children or others are around.
	<b>DANGER — HAND/ FOOT CUT</b> Keep hands and feet away from rotating parts.
	<b>DANGER — THROWN DEBRIS</b> Remove objects that can be thrown by the blade in any direction. Wear safety glasses.
	<b>DANGER — SLOPES</b> Use extra caution on slopes. Do not mow slopes greater than 15°.
	<b>WARNING—GASOLINE IS FLAMMABLE</b> Allow the engine to cool at least two minutes before refueling.
	<b>WARNING— CARBON MONOXIDE</b> Never run an engine indoors or in a poorly ventilated area. Engine exhaust contains carbon monoxide, an odorless and deadly gas.
	<b>WARNING— HOT SURFACE</b> Engine parts, especially the muffler, become extremely hot during operation. Allow engine and muffler to cool before touching.



**WARNING:** Your Responsibility—Restrict the use of this power machine to persons who read, understand and follow the warnings and instructions in this manual and on the machine.

**SAVE THESE INSTRUCTIONS!**



## Slope Gauge

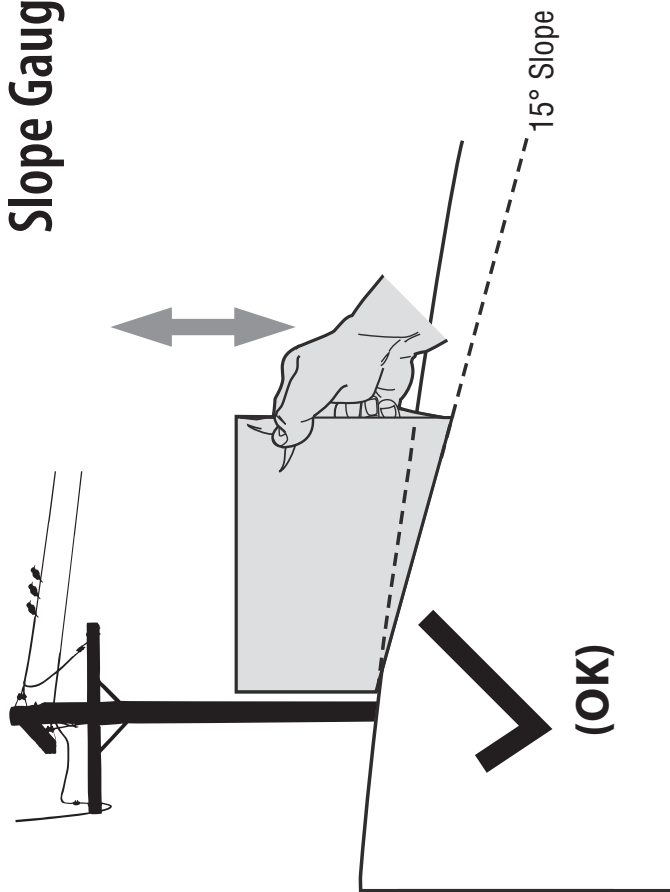


Figure 1

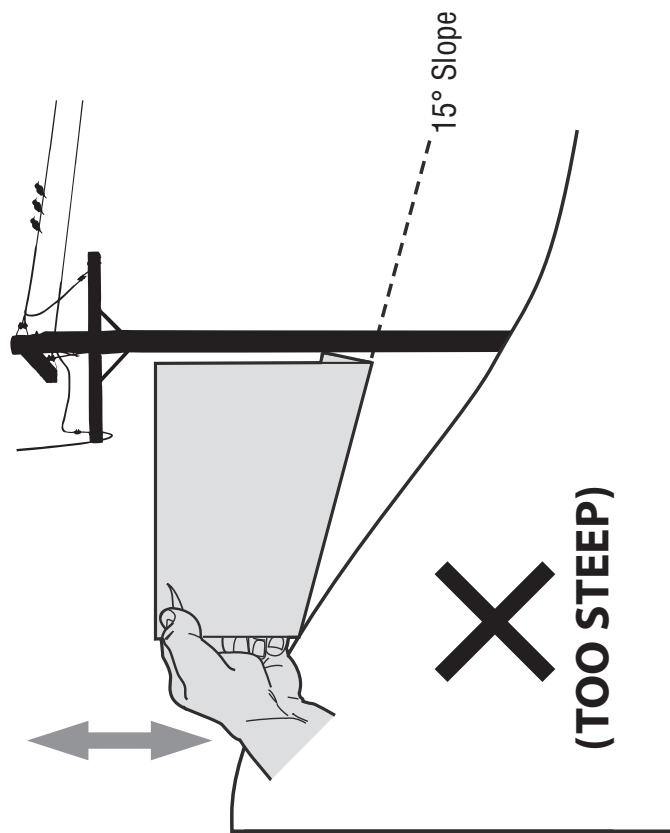
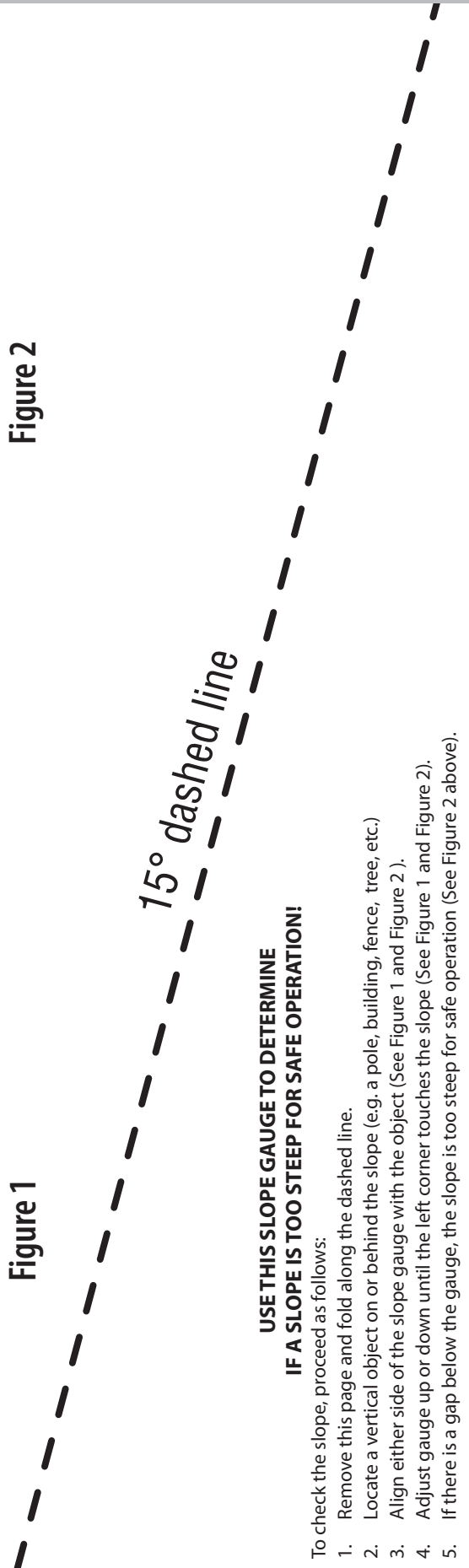


Figure 2



### USE THIS SLOPE GAUGE TO DETERMINE

#### IF A SLOPE IS TOO STEEP FOR SAFE OPERATION!

To check the slope, proceed as follows:

1. Remove this page and fold along the dashed line.
2. Locate a vertical object on or behind the slope (e.g. a pole, building, fence, tree, etc.)
3. Align either side of the slope gauge with the object (See Figure 1 and Figure 2).
4. Adjust gauge up or down until the left corner touches the slope (See Figure 1 and Figure 2).
5. If there is a gap below the gauge, the slope is too steep for safe operation (See Figure 2 above).



**WARNING!** Slopes are a major factor related to tip-over and roll-over accidents which can result in severe injury or death. Do not operate machine on slopes in excess of 15 degrees. All slopes require extra caution.

Always mow across the face of slopes, never up and down slopes.



## Contents of Carton

- One Lawn Mower
- One Grass Catcher†
- One Bottle of Oil
- One Lawn Mower Operator's Manual
- One Engine Operator's Manual
- One Side Discharge Chute†

† If Equipped

**NOTE:** Please be aware that this Operator's Manual covers both the low and high wheel models of this mower. While this manual illustrates the low wheel model, the instructions and features are equally applicable to the high wheel model as well, unless otherwise noted.

## Assembly

**NOTE:** This unit is shipped without gasoline or oil in the engine. Fill up with gasoline and oil as instructed in the accompanying engine manual BEFORE operating your mower.

### Handle

1. Remove any packing material which may be between upper and lower handles.
  - a. Remove wing nuts and carriage bolts from handle as shown in Figure 3-1. Do not loosen or remove adjacent hex head screws.

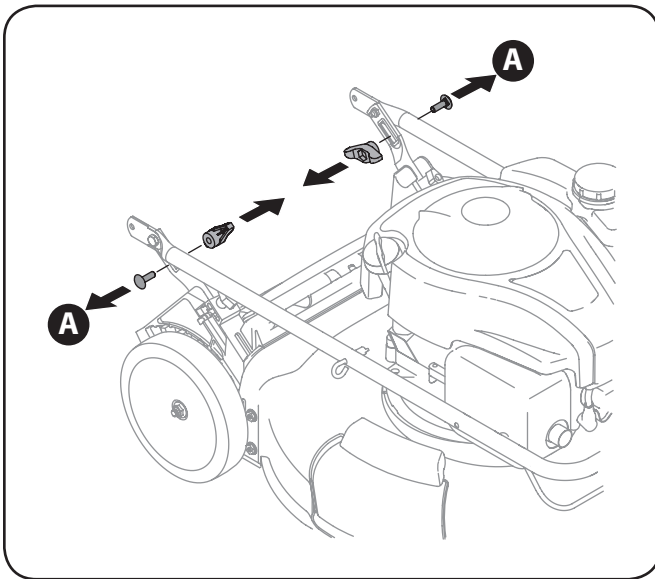


Figure 3-1

- b. While stabilizing mower so it doesn't move, pivot upper handle up as shown in Figure 3-2. Do not crimp cable while lifting the handle up.

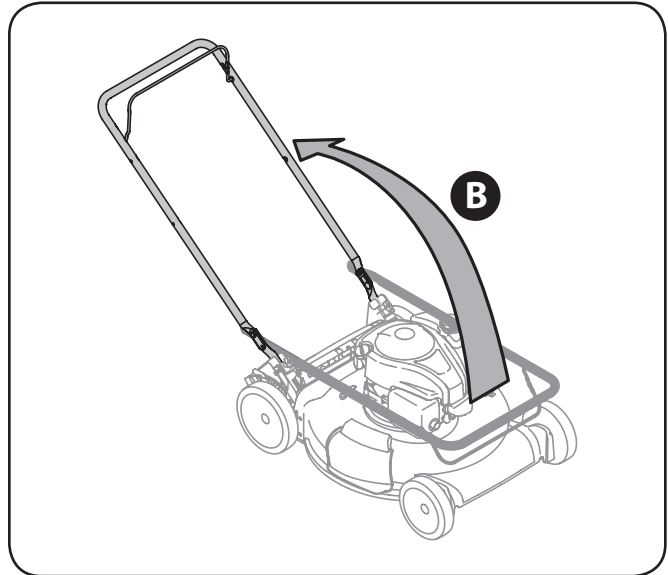


Figure 3-2

2. Remove the T-bolts from the handle brackets as shown in Figure 3-3.

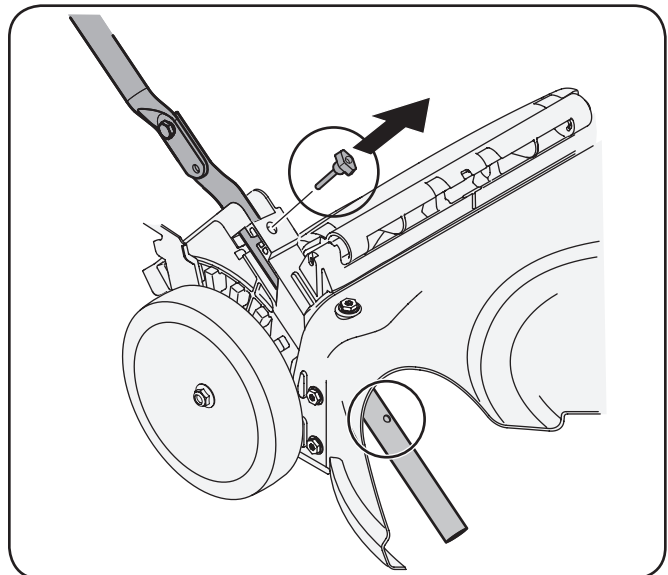
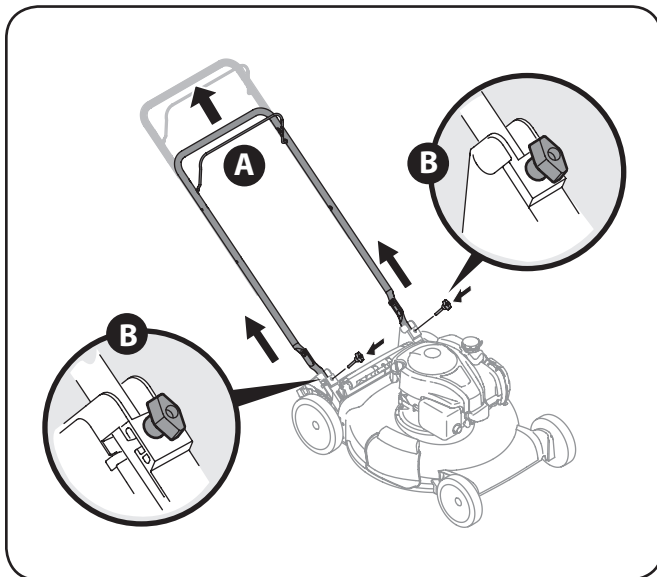


Figure 3-3

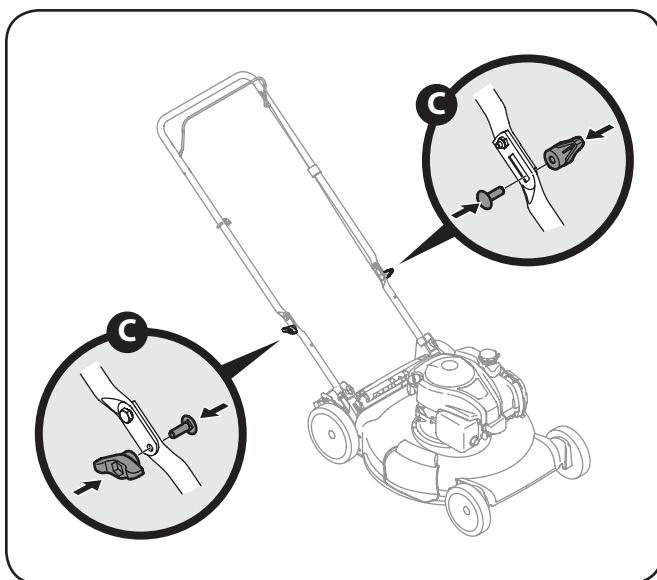
3. Follow the steps below to complete handle assembly:
  - a. Pull upward on the handle until holes in lower handle (shown in Figure 3-3 deck cutaway) line up with holes in handle bracket. See Figure 3-4.



**Figure 3-4**

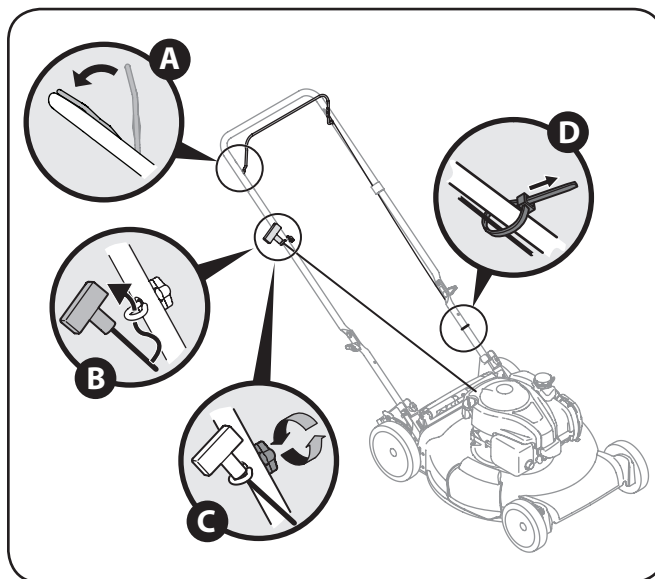
**NOTE:** When pulling upward on handle, make sure to not pull handle all the way out.

- b. Insert the T-bolts removed earlier through the handle brackets and lower handle and tighten securely to secure the handle in place. See Figure 3-4.
- c. Reattach wing nuts and carriage bolts removed earlier into lower holes of handle as shown in Figure 3-5.



**Figure 3-5**

4. The rope guide is attached to the right side of the upper handle. Loosen the wing knob which secures the rope guide. See Figure 3-6.

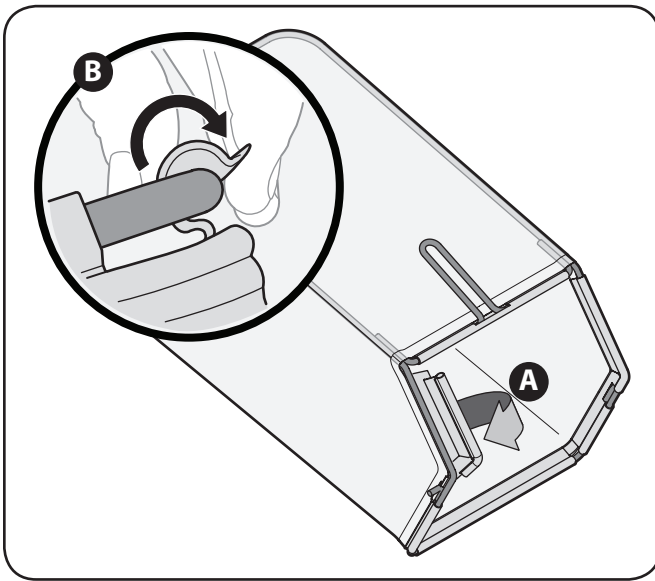


**Figure 3-6**

- a. Hold blade control against upper handle.
- b. Slowly pull starter rope handle from engine and slip starter rope into the rope guide. See Figure 3-6.
- c. Tighten rope guide wing knob.
- d. Use cable tie(s) to secure cable(s) to lower handle.

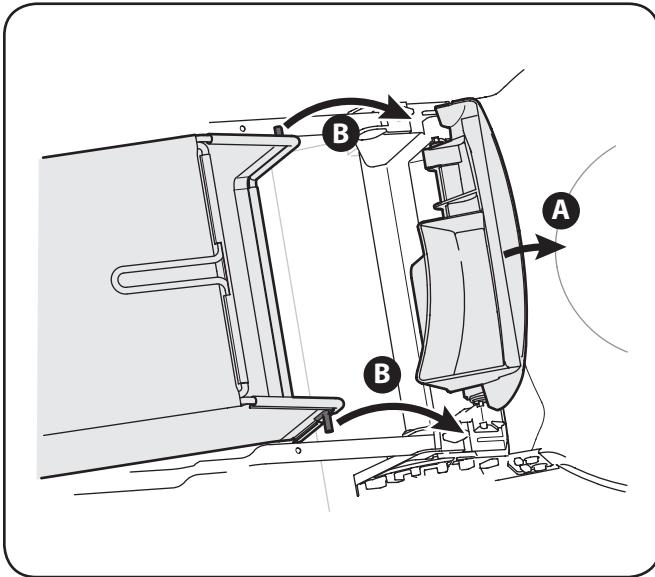
### Grass Catcher (If Equipped)

1. Follow steps below to assemble the grass catcher (if needed). Make certain bag is turned right side out before assembling (warning label will be on the outside).
  - a. Place bag over frame so that its black plastic side is at the bottom.
  - b. Slip plastic channel of grass bag over hooks on the frame. See Figure 3-7.



**Figure 3-7**

2. Follow steps below to attach grass catcher:
  - a. Lift rear discharge door.
  - b. Place grass catcher into the slots in the handle brackets as shown in Figure 3-8. Let go of discharge door so that it rests on the grass catcher.



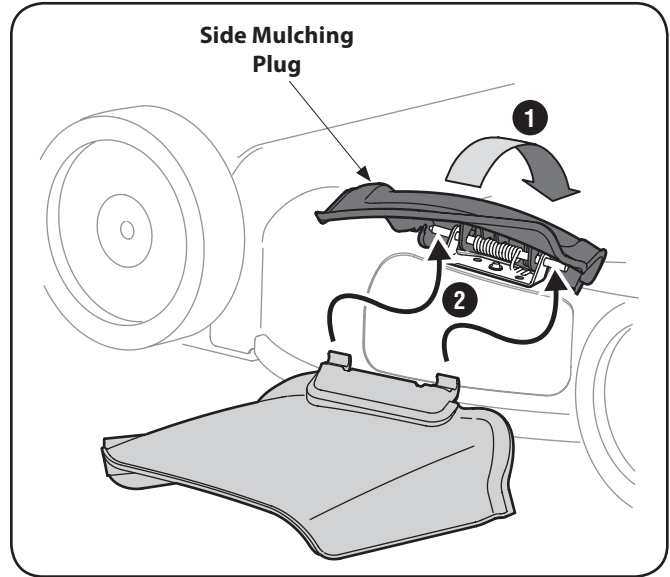
**Figure 3-8**

To remove grass catcher, lift rear discharge door on the mower. Lift grass catcher up and off the slots in the handle brackets. Release rear discharge door to allow it to close rear opening of mower.

### Side Discharge Chute (If Equipped)

Your mower may be shipped as a mulcher. To convert to side discharge, make sure grass catcher (if equipped) is off of the unit and rear discharge door (if equipped) is closed.

1. On the side of the mower, lift the side mulching plug. See Figure 3-9.



**Figure 3-9**

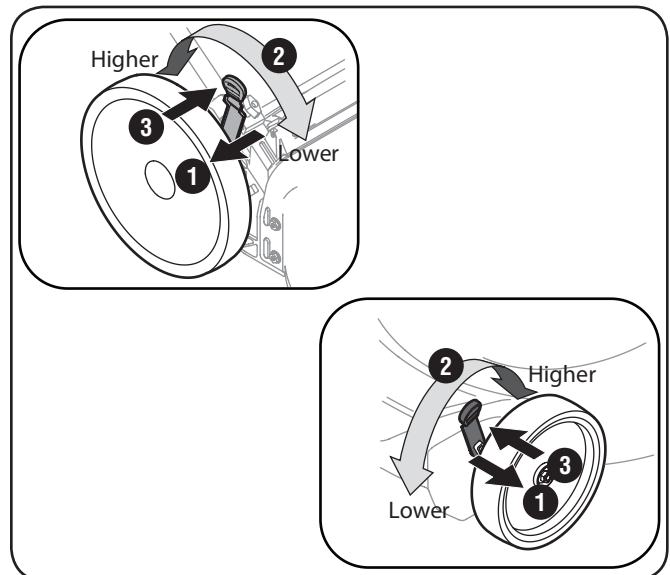
2. Slide two hooks of side discharge chute under hinge pin on mulching plug assembly. Lower the mulching plug. Do not remove side mulching plug at any time, even when you are not mulching.

## Adjustments

### Cutting Height

There is a cutting height adjustment lever located above the front and rear right wheel.

**NOTE:** On select models, the front height adjuster is located above the front left wheel. Refer to Figure 3-10 below and the instructions on the next page.



**Figure 3-10**

1. Pull the height adjustment lever towards wheel.
2. Move lever to desired position for a change in cutting height. See Figure 3-11 and Figure 3-12.

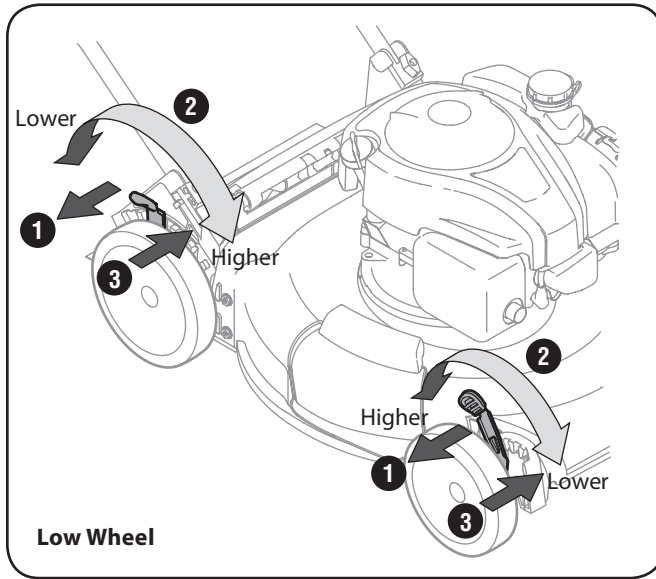


Figure 3-11

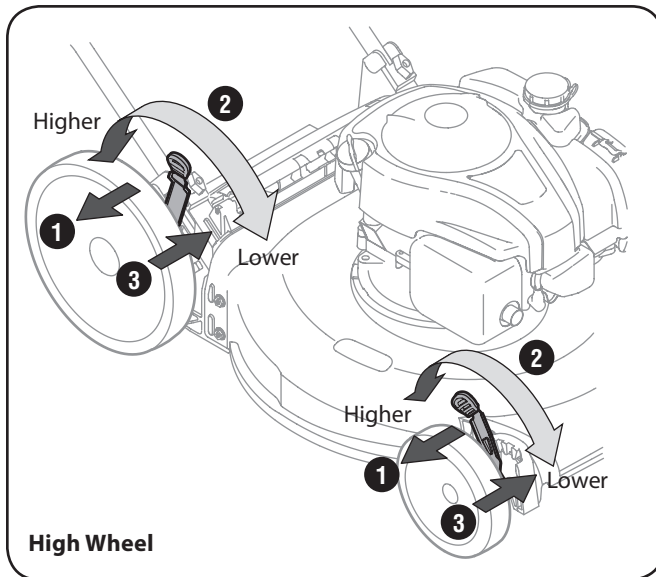


Figure 3-12

**NOTE:** For mowers with low wheels, the height adjustment levers move in the opposite direction to adjust; for those with high wheels, the levers move in the same direction.

3. Release lever towards deck.

**IMPORTANT:** Both the front and rear wheels must be placed in the same relative position. For rough or uneven lawns, move the height adjustment levers to a higher position. This will stop scalping of grass.

### Handle Pitch (If Equipped)

For convenience of operation, you may be able to adjust the pitch of the handle as follows:

1. Remove wing nuts and carriage bolts from handle. See Figure 3-13.

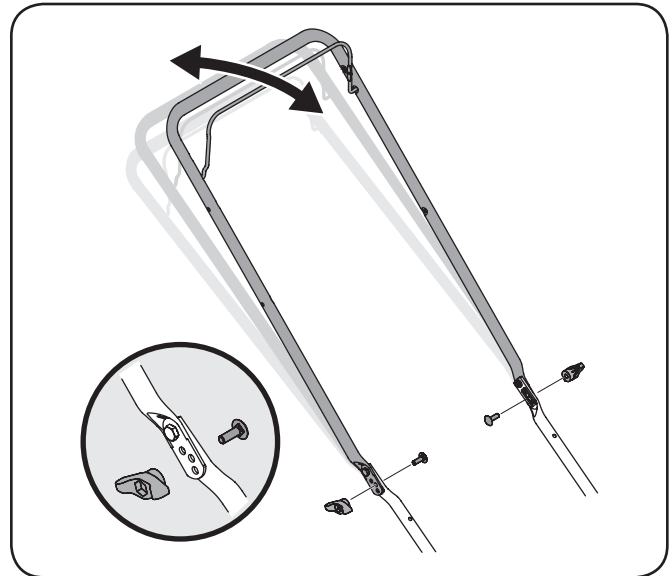


Figure 3-13

2. Position the handle in one of the three positions that is most comfortable. See Figure 3-13 inset.
3. Secure into position with wing nuts and carriage bolts removed earlier.

### Set-Up

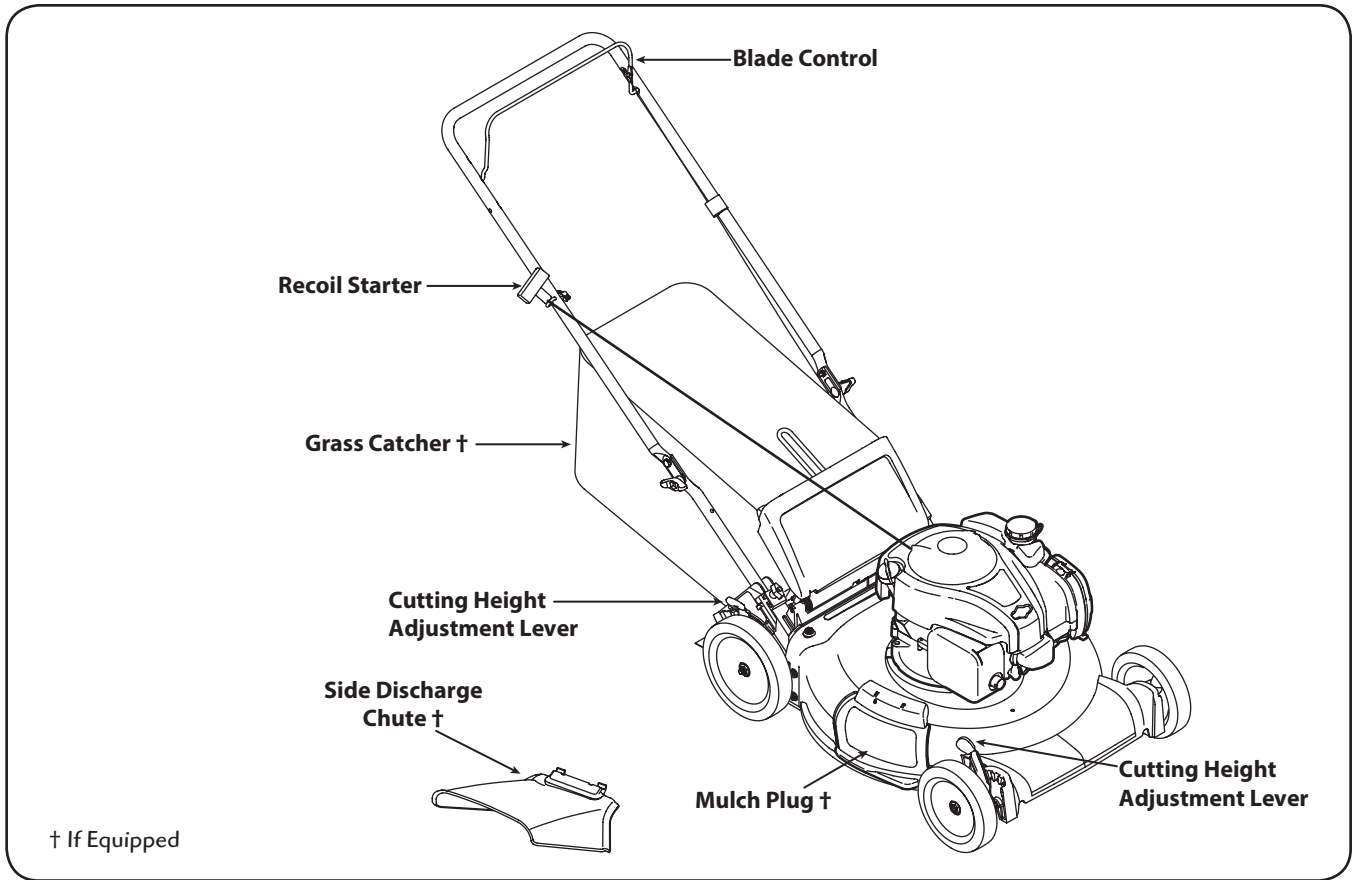
#### Gas and Oil Fill-Up

Refer to the separate engine owner's manual for additional engine information.

1. Add oil provided before starting unit for the first time out of the box.
2. Service the engine with gasoline as instructed in the separate engine owner's manual.



**WARNING:** Use extreme care when handling gasoline. Gasoline is extremely flammable and the vapors are explosive. Never fuel the machine indoors or while the engine is hot or running. Extinguish cigarettes, cigars, pipes and other sources of ignition.



## Blade Control

The blade control is attached to the upper handle of the mower. Depress and squeeze it against the upper handle to operate the unit. Release it to stop engine and blade.



**WARNING:** This blade control is a safety device. Never attempt to bypass its operations.

## Cutting Height Adjustment Lever

One adjustment lever is located on the right rear wheel and one is located on the right front wheel. Both levers have to be at the same relative position to ensure a uniform cut. To adjust the cutting height, refer to the "Assembly & Set-Up" Section.

**NOTE:** On select models, the front height adjuster is located above the front left wheel.

## Grass Catcher (If Equipped)

The grass catcher, located at the rear of the mower, is used to bag the grass clippings for disposal at another site. Once the bag is full, remove it up through the handles using the strap provided and empty it before any further mowing.

## Mulch Plug (If Equipped)

The mulch plug is used for mulching purposes. Instead of collecting the grass clippings in a grass catcher or using the side discharge chute, some mower models have the option of recirculating the clippings back to the lawn. This is called mulching.

## Side Discharge Chute (If Equipped)

Your mower may be shipped as a mulcher. To discharge the grass clippings to the side instead, follow the instructions in the "Assembly & Set-Up" section to attach the side discharge chute.



**WARNING:** Keep hands and feet away from the chute area on cutting deck. Refer to warning label on the unit.

## Recoil Starter

The recoil starter is attached to the right upper handle. Stand behind the unit and pull the recoil starter rope to start the unit.

## Starting & Stopping Engine

Refer to the Engine Operator's manual packed with your lawn mower for instructions on starting and stopping the engine.

## Using Your Lawn Mower

Be sure lawn is clear of stones, sticks, wire, or other objects which could damage lawn mower or engine. Such objects could be accidentally thrown by the mower in any direction and cause serious personal injury to the operator and others.



**WARNING:** The operation of any lawn mower can result in foreign objects being thrown into the eyes, which can damage your eyes severely. Always wear safety glasses while operating the mower, or while performing any adjustments or repairs on it.

## Using as Mulcher (If Equipped)

For mulching grass, remove the side discharge chute (if equipped) or the grass catcher (if equipped) and allow the rear discharge door (if equipped) to close the rear opening of mower. For effective mulching, do not cut wet grass. If the grass has been allowed to grow in excess of four inches, mulching is not recommended. Use the grass catcher to bag clippings instead.

## Using Grass Catcher (If Equipped)

You can use the grass catcher to collect clippings while you are operating the mower.

1. Attach grass catcher following instructions in the "Assembly & Set-Up" section. Grass clippings will automatically collect in bag as you run mower. Operate mower till grass bag is full.
2. Stop engine completely by releasing the blade control. Make sure that the unit has come to a complete stop.
3. Lift discharge door and pull grass bag up and away from the mower to remove the bag. Dispose of the grass clippings and reinstall the bag when complete.



**WARNING:** If you strike a foreign object, stop the engine. Remove wire from the spark plug, thoroughly inspect mower for any damage, and repair damage before restarting and operating. Extensive vibration of mower during operation is an indication of damage. The unit should be promptly inspected and repaired.

## Maintenance

### General Recommendations

- Always observe safety rules when performing any maintenance.
- The warranty on this lawn mower does not cover items that have been subjected to operator abuse or negligence. To receive full value from warranty, operator must maintain the lawn mower as instructed here.
- Changing of engine-governed speed will void engine warranty.
- All adjustments should be checked at least once each season.
- Periodically check all fasteners and make sure these are tight.



**WARNING:** Always stop engine, allow engine to cool, disconnect spark plug, and ground against engine before performing any type of maintenance on your machine.

### Lubrication

1. Lubricate pivot points on the blade control at least once a season with light oil. The blade control must operate freely in both directions. See Figure 6-1.

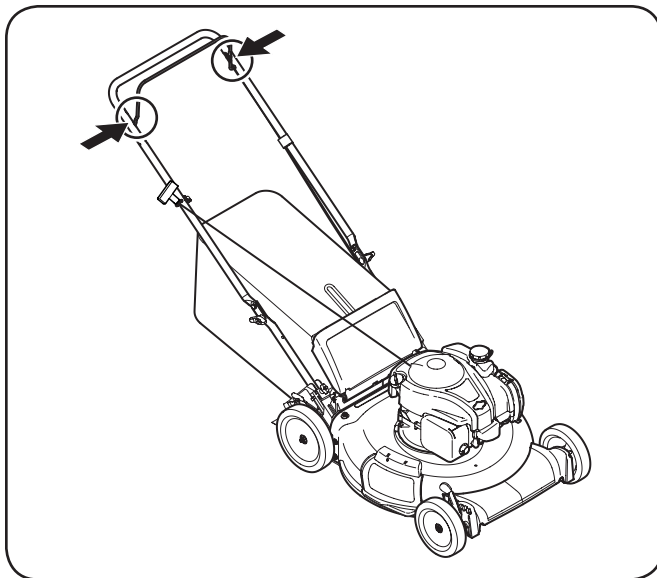


Figure 6-1

2. Follow the accompanying engine manual for lubrication schedule and instruction for engine lubrication.

### Deck Care

Clean underside of the mower deck after each use to prevent build-up of grass clippings or other debris. Follow steps below for this job.

1. Disconnect spark plug wire. Drain gasoline from lawn mower or place a piece of plastic under the gas cap.
2. Tip mower so that it rests on the housing. Keep the side with the air cleaner facing up. Hold mower firmly.



**WARNING:** Never tip the mower more than 90° in any direction and do not leave the mower tipped for any length of time. Oil can drain into the upper part of the engine causing a starting problem.

3. Scrape and clean the underside of the deck with a suitable tool.
4. Put the mower back on its wheels on the ground. If you had put plastic under the gas cap earlier, make sure to remove it now.

### Engine Care

A list of key engine maintenance jobs required for good performance by the mower is given below. Follow the accompanying engine manual for a detailed list and instructions.

- Maintain oil level as instructed in engine manual.
- Service air cleaner every 25 hours under normal conditions. Clean every few hours under extremely dusty conditions. Poor engine performance and flooding usually indicates that the air cleaner should be serviced. To service the air cleaner, refer to the engine manual.
- Clean spark plug and reset the gap once a season. Spark plug replacement is recommended at the start of each mowing season. Check engine manual for correct plug type and gap specifications.
- Clean engine regularly with a cloth or brush. Keep the top of the engine clean to permit proper air circulation. Remove all grass, dirt, and combustible debris from muffler area.
- Engines stored between 30 and 90 days need to be treated with a gasoline stabilizer such as **STA-BIL**® to prevent deterioration and gum from forming in fuel system or on essential carburetor parts.



## Blade Care



**WARNING:** When removing the cutting blade for sharpening or replacement, protect your hands with a pair of heavy gloves or use a heavy rag to hold the blade.

Periodically inspect the blade adapter for cracks, especially if you strike a foreign object. Replace when necessary. Follow the steps below for blade service.

1. Disconnect spark plug boot from spark plug. Turn mower on its side making sure that the air filter and the carburetor are facing up.
2. Remove the bolt and the blade bell support which hold the blade and the blade adapter to the engine crankshaft. See Figure 7-1.

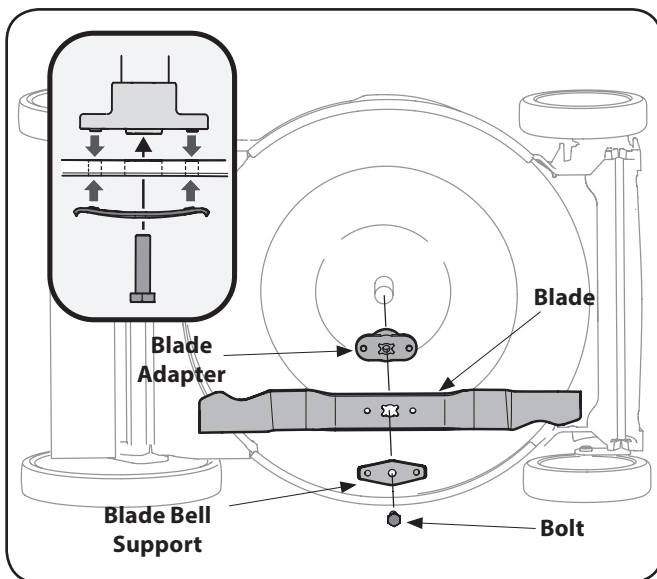


Figure 7-1

3. Remove blade and adapter from the crankshaft. See Figure 7-1.

4. Remove blade from the adapter for testing balance. Balance the blade on a round shaft screwdriver to check. Remove metal from the heavy side until it balances evenly. When sharpening the blade, follow the original angle of grind. Grind each cutting edge equally to keep the blade balanced.



**WARNING:** An unbalanced blade will cause excessive vibration when rotating at high speeds. It may cause damage to mower and could break causing personal injury.

5. Lubricate the engine crankshaft and the inner surface of the blade adapter with light oil. Slide the blade adapter (and wave washer, if applicable) onto the engine crankshaft. Place the blade on the adapter such that the side of the blade marked "Bottom" (or with part number) faces the ground when the mower is in the operating position. Make sure that the blade is aligned and seated on the blade adapter flanges. See Figure 7-1 inset.
6. Place blade bell support on the blade. Align notches on the blade bell support with small holes in blade.
7. Replace hex bolt and tighten hex bolt to torque: 450 in. lbs. min., 600 in. lbs. max.

To ensure safe operation of your mower, periodically check the blade bolt for correct torque.

## Off-Season Storage

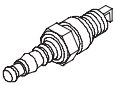

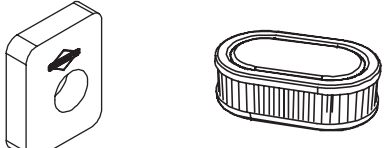
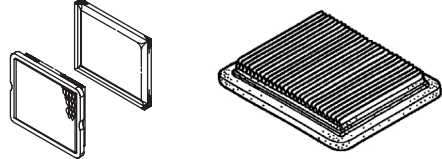
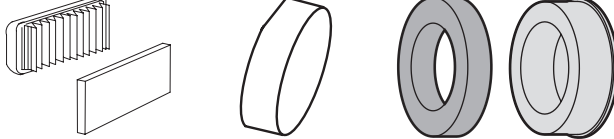

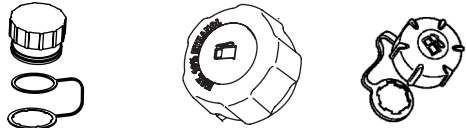
The following steps should be taken to prepare your lawn mower for storage.

- Clean and lubricate mower thoroughly as described in the lubrication instructions.
- Coat mower's cutting blade with chassis grease to prevent rusting.
- Refer to engine manual for correct engine storage instructions.
- Do not use a pressure washer or garden hose to clean your unit.
- Store mower in a dry, clean area. Do not store next to corrosive materials, such as fertilizer.

When storing any type of power equipment in a poorly ventilated or metal storage shed, care should be taken to rust-proof the equipment. Using a light oil or silicone, coat the equipment, especially cables and all moving parts of your lawn mower before storage.

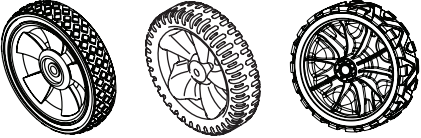
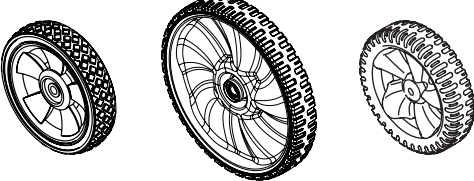
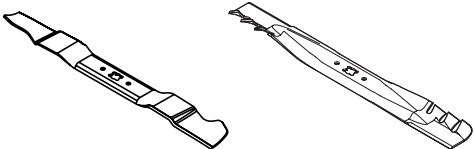
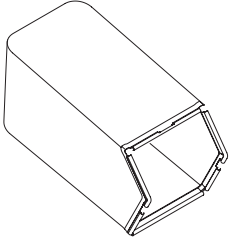
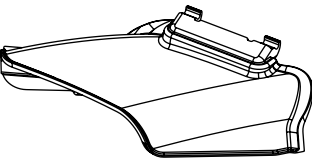
Problem	Cause	Remedy
Engine Fails to start	<ol style="list-style-type: none"> <li>1. Blade control disengaged.</li> <li>2. Spark plug boot disconnected.</li> <li>3. Fuel tank empty or stale fuel.</li> <li>4. Engine not primed (if equipped with primer).</li> <li>5. Faulty spark plug.</li> <li>6. Blocked fuel line.</li> <li>7. Engine flooded.</li> <li>8. Fuel valve (if equipped) closed.</li> <li>9. Engine not choked (if equipped with choke).</li> </ol>	<ol style="list-style-type: none"> <li>1. Engage blade control.</li> <li>2. Connect wire to spark boot.</li> <li>3. Fill tank with clean, fresh gasoline.</li> <li>4. Prime engine as instructed in the Operation section.</li> <li>5. Clean, adjust gap, or replace.</li> <li>6. Clean fuel line.</li> <li>7. Wait a few minutes to restart, but do not prime.</li> <li>8. Open fuel valve. See engine manual.</li> <li>9. Choke engine. See engine manual.</li> </ol>
Engine runs erratic	<ol style="list-style-type: none"> <li>1. Spark plug boot loose.</li> <li>2. Blocked fuel line or stale fuel.</li> <li>3. Vent in gas cap plugged.</li> <li>4. Water or dirt in fuel system.</li> <li>5. Dirty air cleaner.</li> <li>6. Unit running with CHOKE (if equipped) applied.</li> </ol>	<ol style="list-style-type: none"> <li>1. Connect and tighten spark plug boot.</li> <li>2. Clean fuel line; fill tank with clean, fresh gasoline.</li> <li>3. Clear vent.</li> <li>4. Drain fuel tank. Refill with fresh fuel.</li> <li>5. Refer to engine manual.</li> <li>6. Push CHOKE knob in.</li> </ol>
Engine overheats	<ol style="list-style-type: none"> <li>1. Engine oil level low.</li> <li>2. Air flow restricted.</li> </ol>	<ol style="list-style-type: none"> <li>1. Fill crankcase with proper oil.</li> <li>2. Clean area around and on top of engine.</li> </ol>
Occasional skips (hesitates) at high speed	<ol style="list-style-type: none"> <li>1. Spark plug gap too close.</li> </ol>	<ol style="list-style-type: none"> <li>1. Adjust spark plug gap. Refer to engine manual.</li> </ol>
Idles poorly	<ol style="list-style-type: none"> <li>1. Spark plug fouled, faulty, or gap too wide.</li> <li>2. Dirty air cleaner.</li> </ol>	<ol style="list-style-type: none"> <li>1. Reset gap or replace spark plug.</li> <li>2. Refer to engine manual.</li> </ol>
Excessive Vibration	<ol style="list-style-type: none"> <li>1. Cutting blade loose or unbalanced.</li> <li>2. Bent cutting blade.</li> </ol>	<ol style="list-style-type: none"> <li>1. Tighten blade and adapter. Balance blade.</li> <li>2. See an authorized service dealer.</li> </ol>
Mower will not mulch grass †	<ol style="list-style-type: none"> <li>1. Wet grass.</li> <li>2. Excessively high grass.</li> <li>3. Dull blade.</li> </ol>	<ol style="list-style-type: none"> <li>1. Do not mow when grass is wet; wait until later to cut.</li> <li>2. Mow once at a high cutting height, then mow again at desired height or make a narrower cutting path.</li> <li>3. Sharpen or replace blade.</li> </ol>
Uneven cut	<ol style="list-style-type: none"> <li>1. Wheels not positioned correctly.</li> <li>2. Dull blade.</li> </ol>	<ol style="list-style-type: none"> <li>1. Place front and rear wheels in same height position. (Dual lever height adjusters only)</li> <li>2. Sharpen or replace blade.</li> </ol>

† If Applicable

Component	Part Number and Description
	759-3336 Spark Plug (Briggs & Stratton E/EX Series Models) BS-594056 Spark Plug (Briggs & Stratton exi Models) 951-14437 Spark Plug (MTD 140/159cc) 951-10292 Spark Plug (MTD 139cc & 173cc) 98079-55846 Spark Plug (Honda)
	BS-298090S† Fuel Filter (Briggs & Stratton) 951-10358A Fuel Filter (MTD) 16952-Z8B-000 Fuel Filter (Honda)
	BS-799579 Air Filter (Briggs & Stratton - Foam) BS-798452 Air Filter (Briggs & Stratton - Pleated) BS-593260 Air Filter (Briggs & Stratton exi Models) BS-594055† Pre-Cleaner (Briggs & Stratton exi Models)
	BS-491588S Air Filter (Briggs & Stratton) BS-493537S† Pre-Cleaner (Briggs & Stratton) 17211-Z8B-901 Air Cleaner Element (Honda)
	951-10298 Air Cleaner Kit (MTD) 951-14632 Air Filter Only (MTD) 951-10732 Air Cleaner (Round) (MTD) 951-14627 Air Cleaner (MTD 140cc - Foam) 951-14628 Air Cleaner (MTD 140cc - Paper)
	BS-796577 Fuel Cap (Briggs & Stratton) BS-799585 Fuel Cap (Briggs & Stratton) BS-594061 Fuel Cap (Briggs & Stratton exi Models)
	951-12738 Fuel Cap (MTD 139cc & 173cc) 951-14694 Fuel Cap (MTD 140cc) 951-14407 Fuel Cap (MTD 159cc) 17620-ZL8-013 Fuel Tank Cap (Honda)

† If Equipped

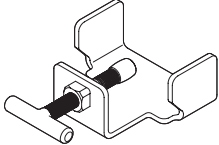
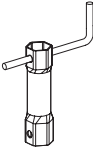
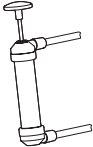
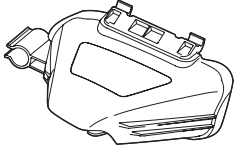
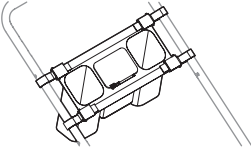
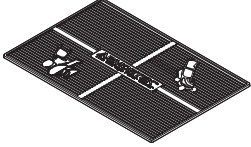
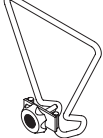
Phone (800) 800-7310 or (330) 220-4683 to order replacement parts or a complete Parts Manual (have your full model number and serial number ready). Parts Manual downloads are also available free of charge at [www.mtdproducts.com](http://www.mtdproducts.com)

Component	Part Number and Description
	734-04063A Wheel (Front - 7", Star Diamond) 734-04562 Wheel (Front - 7" x 1.8", Bar) 634-04642 Wheel (Front - 7" x 2", SL:Z) 634-04346† Wheel (Front - 7", Idle: Mag: Cog) 634-04607‡ Wheel (Front - 7" x 2", SL:S)
	734-04585 Wheel (Rear - 8", Star Diamond) 634-04625 Wheel (Rear - 11" x 1.75", Bar) 734-04563 Wheel (Rear - 8" x 1.8", Bar) 634-04659‡ Wheel (Rear - 8" x 2", SL:Z) 634-05062‡ Wheel (Rear - 11" x 2", SL:Zag) 634-04626‡ Wheel (Rear - 11" x 2", SL:S)
	942-0741A Mulching Blade 942-0741-X Xtreme Mulching Blade
	764-04077B† Grass Bag (Mesh - Black) 764-04082B† Grass Bag (Dust Blocking - Black)
	731-07486† Discharge Chute (No Snap-On) 731-07131† Discharge Chute (Snaps on Handle)

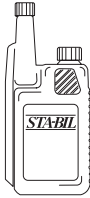

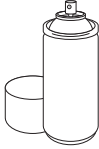
† If Equipped

‡ Not Shown

Phone (800) 800-7310 or (330) 220-4683 to order replacement parts or a complete Parts Manual (have your full model number and serial number ready). Parts Manual downloads are also available free of charge at [www.mtdproducts.com](http://www.mtdproducts.com)

Component	Model Number and Description
	490-850-0005 Blade Removal Tool — Holds blade in place for faster, safer removal.
	SPW-134 Spark Plug Wrench — Duel ended wrench to serve multiple uses. Fits 3/4" or 13/16" hex plug.
	490-850-0008 Oil Siphon — Makes it easy to transfer gas, oil and liquids from tank to container.
	490-850-0016 Side Discharge Blower — Blows leaves, grass clippings and debris. Eliminates need for separate blower. Easy installation with no tools.
	490-850-0015 Cargo Carrier — Conveniently holds drinks, tools and more. Simple installation. Attaches in less than two minutes with no tools.
	490-241-0034 Garage Floor Mat — Anti-skid mat, measures 24" x 36". Projects garage floor from stains.
	490-850-0012 Mower Kick Stand — Keeps mower stable for changing/ sharpening blade and cleaning underside of deck.

Phone (800) 800-7310 or (330) 220-4683 to order attachments and accessories. Have your mower's full model number and serial number ready to assure compatibility. Items can also be purchased online at [www.mtdproducts.com](http://www.mtdproducts.com).

Component	Model Number and Description	
	22216	STA-BIL® fuel Stabilizer, 32 oz — Treats 80 gallons of fuel. Keeps stored fuel fresh for quick, easy starts. Prevents corrosion from moisture and ethanol-induced attraction. Prevents gum and varnish.
	490-290-0012	Mower Cover — Protects your mower against sun, rain and dust damage. Coated for maximum water resistance and repellency. U.V. and mildew resistant
	490-900-0062	Non-Stick Mower Deck Spray — Long-Lasting anti-stick graphite spray. Prevents grass clippings buildup in mowing deck.

Phone (800) 800-7310 or (330) 220-4683 to order attachments and accessories. Have your mower's full model number and serial number ready to assure compatibility. Items can also be purchased online at [www.mtdproducts.com](http://www.mtdproducts.com).

# MANUFACTURER'S LIMITED WARRANTY FOR



The limited warranty set forth below is given by MTD LLC with respect to new merchandise purchased and used in the United States and/or its territories and possessions, and by MTD Products Limited with respect to new merchandise purchased and used in Canada and/or its territories and possessions (either entity respectively, "MTD").

This warranty is in addition to any applicable emissions warranty provided with your product.

"MTD" warrants this product (excluding its *Normal Wear Parts* and Attachments as described below) against defects in material and workmanship for a period of two (2) years commencing on the date of original purchase and will, at its option, repair or replace, free of charge, any part found to be defective in materials or workmanship. This limited warranty shall only apply if this product has been operated and maintained in accordance with the Operator's Manual furnished with the product, and has not been subject to misuse, abuse, commercial use, neglect, accident, improper maintenance, alteration, vandalism, theft, fire, water, or damage because of other peril or natural disaster. Damage resulting from the installation or use of any part, accessory or attachment not approved by MTD for use with the product(s) covered by this manual will void your warranty as to any resulting damage.

*Normal Wear Parts* are warranted to be free from defects in material and workmanship for a period of thirty (30) days from the date of purchase. Normal wear parts include, but are not limited to items such as: batteries, belts, blades, blade adapters, tines, grass bags, wheels, rider deck wheels, seats, snow thrower skid shoes, friction wheels, shave plates, auger spiral rubber and tires.

*Attachments* — MTD warrants attachments for this product against defects in material and workmanship for a period of one (1) year, commencing on the date of the attachment's original purchase or lease. Attachments include, but are not limited to items such as: grass collectors and mulch kits.

**HOW TO OBTAIN SERVICE:** Warranty service is available, WITH PROOF OF PURCHASE, through your local authorized service dealer. To locate the dealer in your area:

## **In the U.S.A.**

Check your Yellow Pages, or contact MTD LLC at P.O. Box 361131, Cleveland, Ohio 44136-0019, or call 1-800-800-7310, 1-330-220-4683 or log on to our Web site at [www.mtdproducts.com](http://www.mtdproducts.com).

## **In Canada**

Contact MTD Products Limited, Kitchener, ON N2G 4J1, or call 1-800-668-1238 or log on to our Web site at [www.mtdcanada.com](http://www.mtdcanada.com).

This limited warranty does **not** provide coverage in the following cases:

- a. The engine or component parts thereof. These items may carry a separate manufacturer's warranty. Refer to applicable manufacturer's warranty for terms and conditions.

- b. Log splitter pumps, valves, and cylinders have a separate one- year warranty.
- c. Routine maintenance items such as lubricants, filters, blade sharpening, tune-ups, brake adjustments, clutch adjustments, deck adjustments, and normal deterioration of the exterior finish due to use or exposure.
- d. Service completed by someone other than an authorized service dealer.
- e. MTD does not extend any warranty for products sold or exported outside of the United States and/or Canada, and their respective possessions and territories, except those sold through MTD's authorized channels of export distribution.
- f. Replacement parts that are not genuine MTD parts.
- g. Transportation charges and service calls.
- h. MTD does not warrant this product for commercial use.

**No implied warranty, including any implied warranty of merchantability or fitness for a particular purpose, applies after the applicable period of express written warranty above as to the parts as identified. No other express warranty, whether written or oral, except as mentioned above, given by any person or entity, including a dealer or retailer, with respect to any product, shall bind MTD. During the period of the warranty, the exclusive remedy is repair or replacement of the product as set forth above.**

**The provisions as set forth in this warranty provide the sole and exclusive remedy arising from the sale. MTD shall not be liable for incidental or consequential loss or damage including, without limitation, expenses incurred for substitute or replacement lawn care services or for rental expenses to temporarily replace a warranted product.**

Some states do not allow the exclusion or limitation of incidental or consequential damages, or limitations on how long an implied warranty lasts, so the above exclusions or limitations may not apply to you.

In no event shall recovery of any kind be greater than the amount of the purchase price of the product sold. **Alteration of safety features of the product shall void this warranty.** You assume the risk and liability for loss, damage, or injury to you and your property and/or to others and their property arising out of the misuse or inability to use the product.

This limited warranty shall not extend to anyone other than the original purchaser or to the person for whom it was purchased as a gift.

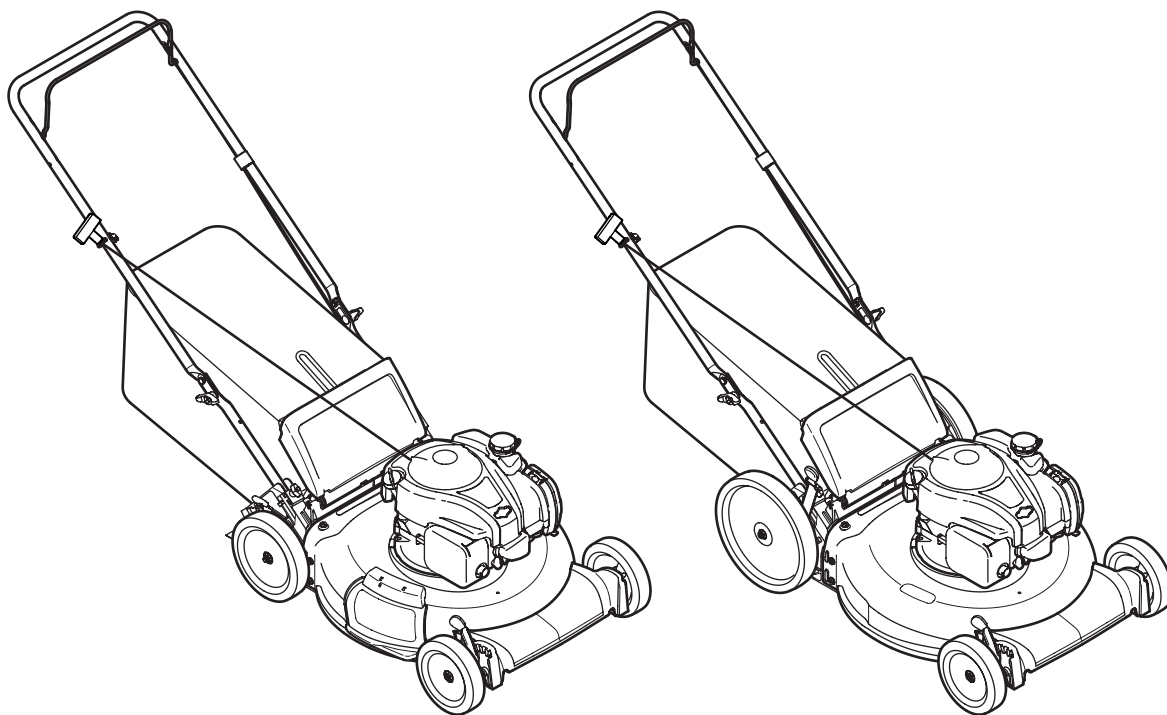
**HOW STATE LAW RELATES TO THIS WARRANTY:** This limited warranty gives you specific legal rights, and you may also have other rights which vary from state to state.

**IMPORTANT:** Owner must present Original Proof of Purchase to obtain warranty coverage.

**MTD LLC, P.O. BOX 361131 CLEVELAND, OHIO 44136-0019; Phone: 1-800-800-7310, 1-330-220-4683  
MTD Canada Limited - KITCHENER, ON N2G 4J1; Phone 1-800-668-1238**



# MANUAL DEL OPERADOR



## Podadora de Empujea — Modelo Serie A00, A10, A20, B00, B10, B20, y B90

### **⚠ ADVERTENCIA**

**LEA Y SIGA TODAS LAS INSTRUCCIONES DE ESTE MANUAL ANTES DE PONER EN  
FUNCIONAMIENTO ESTA MÁQUINA.  
SI NO RESPETA ESTAS INSTRUCCIONES PUEDE PROVOCAR LESIONES PERSONALES.**

---

MTD LLC, P.O. BOX 361131 CLEVELAND, OHIO 44136-0019

---

## Gracias

Gracias por comprar una máquina podadora fabricada por MTD. La misma ha sido diseñada cuidadosamente para brindar excelente rendimiento si se la opera y mantiene correctamente.

Por favor lea todo este manual antes de operar el equipo. Le indica cómo configurar, operar y mantener la máquina con seguridad y fácilmente. Por favor asegúrese de seguir cuidadosamente y en todo momento las prácticas de seguridad recomendadas, y hacérselas seguir a cualquier otra persona que opere la máquina. En caso de no hacerlo podrían producirse lesiones personales o daños materiales.

Toda la información contenida en este manual hace referencia a la más reciente información de producto disponible en el momento de la impresión. Revise el manual frecuentemente para familiarizarse con la unidad, sus características y funcionamiento. Por favor tenga en cuenta que este Manual del Operador puede cubrir una gama de especificaciones de productos de diferentes modelos. Las características y funciones incluidas y/o ilustradas en este manual pueden no ser aplicables a todos los modelos. MTD se reserva el derecho de modificar las especificaciones de los productos, los diseños y el equipo estándar sin previo aviso y sin generar responsabilidad por obligaciones de ningún tipo.

En su caso, los datos de prueba de potencia utilizados para establecer la máxima potencia equipado en esta máquina se pueden encontrar en [www.opei.org](http://www.opei.org) o sitio web del fabricante del motor.

Si tiene algún problema o duda respecto a la unidad, llame a un distribuidor de servicio MTD autorizado o póngase en contacto directamente con nosotros. Los números de teléfono, dirección del sitio web y dirección postal de la Asistencia al Cliente de MTD se encuentran en esta página. Queremos garantizar su entera satisfacción en todo momento.

En este manual, las referencias al lado *derecho* o *izquierdo* de la máquina se observan desde la posición del operador.

El fabricante del motor es el responsable de todas las cuestiones relacionadas con el rendimiento, potencia de salida, especificaciones, garantía y mantenimiento del motor. Para obtener mayor información consulte el Manual del Propietario / Operador entregado por el fabricante del motor, que se envía, en un paquete por separado, junto con su unidad.

## Índice

<b>Importante Medidas importantes de seguridad..</b>	<b>3</b>	<b>Mantenimiento y Ajustes.....</b>	<b>15</b>
<b>Ensamblado y Configuración.....</b>	<b>9</b>	<b>Servicio.....</b>	<b>16</b>
<b>Controles y Características.....</b>	<b>13</b>	<b>Solución de Problemas .....</b>	<b>17</b>
<b>Funcionamiento .....</b>	<b>14</b>	<b>Piezas de Reemplazo .....</b>	<b>18 (Manual inglés)</b>

## Registro de información de producto

Antes de configurar y operar su equipo nuevo, por favor localice la placa del modelo en el equipo y registre la información en el área situada a la derecha. Para encontrar la placa de modelo, colóquese detrás de la unidad en la posición del operador y mire hacia la parte inferior de la sección trasera del chasis. Si tiene que solicitar soporte técnico a través de nuestro sitio web, el Departamento de Asistencia al Cliente, o de un distribuidor de servicio autorizado local, necesitará esta información.

### NÚMERO DE MODELO

--	--	--	--	--	--	--	--	--	--	--	--

### NÚMERO DE SERIE

--	--	--	--	--	--	--	--	--	--	--	--

## Asistencia al Cliente

**Por favor, NO devuelva la unidad al minorista o distribuidor sin ponerse en contacto primero con el Departamento de Asistencia al Cliente.**

En caso de tener problemas para montar este producto o de tener dudas con respecto a los controles, funcionamiento o mantenimiento del mismo, puede solicitar la ayuda de expertos. Elija entre las opciones que se presentan a continuación:

◇ Visite nuestro sitio web en [www.mtdproducts.com](http://www.mtdproducts.com)



Ver Vídeos demostrativos de instalación de mantenimiento y piezas en [www.mtdparts.com/KnowledgeCenter](http://www.mtdparts.com/KnowledgeCenter)

◇ Llame a un representante de Asistencia al Cliente al (800) 800-7310 ó (330) 220-4683

◇ Escribanos a MTD LLC • P.O. Box 361131 • Cleveland, OH • 44136-0019

# Medidas importantes de seguridad

# 2



**ADVERTENCIA:** La presencia de este símbolo indica que se trata de instrucciones importantes de seguridad que se deben respetar para evitar poner en peligro su seguridad personal y/o material y la de otras personas. Lea y siga todas las instrucciones de este manual antes de poner en funcionamiento esta máquina. Si no respeta estas instrucciones puede provocar lesiones personales.

Cuando vea este símbolo - **¡TENGA EN CUENTA LAS ADVERTENCIAS!**

## PROPOSICIÓN 65 DE CALIFORNIA



**ADVERTENCIA:** El escape del motor de este producto, algunos de sus componentes y algunos componentes del vehículo contienen o liberan sustancias químicas que el estado de California considera que pueden producir cáncer, defectos de nacimiento u otros problemas reproductivos.



**ADVERTENCIA:** Los postes de batería, los terminales, y los accesorios relacionados contienen plomo y compuestos de plomo, productos químicos conocidos al Estado de California causar el cáncer y el daño reproductivo. Lave manos después del manejo.



**PELIGRO:** Esta máquina está diseñada para ser utilizada respetando las normas de seguridad contenidas en este manual. Al igual que con cualquier tipo de equipo motorizado, un descuido o error por parte del operador puede producir lesiones graves. Esta máquina es capaz de amputar dedos, manos y pies y de arrojar objetos extraños con gran fuerza. De no respetar las instrucciones de seguridad siguientes se pueden producir lesiones graves o la muerte.

## Funcionamiento

### Funcionamiento general:

1. Lea y siga todas las instrucciones contenidas en este manual antes de intentar ensamblar esta máquina. Lea, comprenda y siga todas las instrucciones que figuran en la máquina y en el o los manuales antes de intentar operarla. Familiarícese completamente con los controles y con el uso apropiado de esta máquina antes de operarla. Guarde este manual en un lugar seguro para referencias futuras y regulares y para solicitar repuestos.
2. Esta máquina es una pieza de equipo de precisión, no un juguete. Por tanto, tenga la máxima precaución en todo momento. Su unidad ha sido diseñada para realizar una tarea: cortar el césped. No la utilice con ningún otro propósito.
3. No permita nunca que los niños menores de 14 años operen esta máquina. Los niños de 14 años y más deben leer y comprender las instrucciones contenidas en este manual y deben ser capacitados y supervisados por uno de los padres. Únicamente los individuos responsables que se hayan familiarizado con estas reglas de seguridad para la operación deberán usar esta máquina.
4. Inspeccione minuciosamente el área en donde utilizará el equipo. Saque todas las piedras, palos, cables, huesos, juguetes y otros objetos extraños con los que podría tropezar o que podrían ser arrojados por la cuchilla. Los objetos arrojados por la máquina pueden producir lesiones graves. Planifique el patrón en el que va a ir descargando el recorte para evitar que la descarga de material se realice hacia los caminos, las veredas, los observadores, etc. Evite además descargar material contra las paredes y obstrucciones que podrían provocar que el material descargado rebote contra el operador.
5. Para ayudar a evitar el contacto con la cuchilla o una lesión por un objeto arrojado, manténgase en la zona del operador detrás de las manijas y mantenga a los niños, observadores, ayudantes y mascotas apartados al menos 25 metros de la podadora mientras está en operación. Detenga la máquina si alguien entra en la zona.
6. Para protegerse los ojos utilice siempre anteojos o antiparras de seguridad mientras opera la máquina o mientras la ajusta o repara. Los objetos arrojados que rebotan pueden lesionar gravemente la vista.
7. Utilice zapatos de trabajo resistentes, de suela fuerte y pantalones y camisas ajustados. Se recomienda utilizar camisas y pantalones que cubran los brazos y las piernas, así como calzado con puntas reforzadas en acero. Nunca opere esta máquina con los pies desnudos, sandalias, o con zapatos ligeros o con los que se pueda resbalar (por ejemplo, calzado de lona).

8. No ponga las manos o los pies cerca de las piezas rotatorias o en la tolva de la cortadora. El contacto con las cuchillas puede producir la amputación de manos y pies.
9. Una cubierta de descarga faltante o dañada puede provocar el contacto con la cuchilla o lesiones por objetos arrojados.
10. Muchas lesiones ocurren como resultado de pasar la cortadora sobre los pies durante una caída provocada por derrapes o tropiezos. No se sostenga de la podadora si se está cayendo, suelte la manija inmediatamente.
11. Nunca tire hacia usted la podadora mientras camina. Si debe retroceder la podadora para evitar una pared u obstáculo, mire primero abajo y atrás para evitar tropezarse y luego siga estos pasos:
  - a. Retroceda de la podadora hasta estirar completamente sus brazos.
  - b. Asegúrese que está bien equilibrado y bien parado.
  - c. Tire de la podadora lentamente hacia usted, no más allá de la mitad de la distancia entre usted y la podadora.
  - d. Repita estos pasos como se requiera.
12. No opere esta máquina estando bajo los efectos del alcohol o de drogas.
13. No embrague el mecanismo de autopropulsión en unidades con este equipo mientras arranca el motor.
14. El mecanismo de control de la cuchilla es un dispositivo de seguridad. Nunca intente desviarse de su funcionamiento. De hacerlo no funcionarían los dispositivos de seguridad y podrían producirse lesiones personales por el contacto con las cuchillas giratorias. Las manijas de control de la cuchilla deben funcionar bien en ambas direcciones y regresar automáticamente a la posición de desengrane cuando se las suelta.
15. Nunca opere la podadora en césped húmedo. Siempre esté seguro de su equilibrio. Si tropieza y cae puede lesionarse gravemente. Si siente que pierde el equilibrio, suelte inmediatamente la manija de control de la cuchilla y la cuchilla dejará de girar en tres segundos.
16. Corte el césped solamente con luz de día o con una buena luz artificial. Camine, nunca corra.
17. Detenga la cuchilla cuando cruce caminos de gravilla, pasos o andadores.
18. Si la máquina comenzara a vibrar de manera anormal, detenga el motor, y busque inmediatamente la causa. La vibración por lo general es una advertencia de algún problema.
19. Apague el motor y espere hasta que la cuchilla se detenga completamente antes de retirar la guarda para el recorte de césped o desatorar la tolva. La cuchilla continúa girando por unos cuantos segundos después que el motor se ha apagado. Nunca coloque ninguna parte del cuerpo en el área de la cuchilla hasta que esté seguro que la cuchilla ha detenido su movimiento rotatorio.
20. Nunca opere la cortadora sin las guardas apropiadas, cubierta de descarga, guarda para recorte, manija de control de la cuchilla y otros dispositivos de seguridad y protección en su lugar y funcionando. Nunca opere la cortadora si los dispositivos de seguridad están dañados. Si no lo hace, esto puede tener como resultado lesiones.
21. El silenciador y el motor se calientan y pueden producir quemaduras. No los toque.
22. Utilice solamente partes y accesorios fabricados especialmente para esta máquina, originales del fabricante (OEM). Si no lo hace, esto puede tener como resultado lesiones personales.
23. Para encender el motor, jale de la cuerda lentamente hasta que sienta resistencia, luego jale rápidamente. El repliegue rápido de la cuerda de arranque (tensión de retroceso) le jalará la mano y el brazo hacia el motor más rápido de lo que usted puede soltar. El resultado pueden ser huesos rotos, fracturas, hematomas o esguinces.
24. Si se presentan situaciones que no están previstas en este manual sea cuidadoso y use el sentido común. Marque para contactar el departamento de atención al cliente y obtener el nombre de su distribuidor más cercano.

## Funcionamiento en pendientes

Las pendientes son un factor importante que se relaciona con los accidentes producidos por derrapes y caídas y que pueden producir lesiones graves. La operación en pendientes requiere mayor precaución. Si no se siente seguro en una pendiente, no la pade. Para seguridad, use el medidor de pendientes que se incluye como parte de este manual para medir la pendiente antes de operar la unidad en una zona inclinada. Si la pendiente supera los 15 grados, no la pade.

### Haga lo siguiente:

1. Mueva la podadora a través de las caras de la pendiente, nunca hacia arriba y abajo. Tenga cuidado cuando cambie de dirección cuando opere la máquina en pendientes.
2. Esté atento a los agujeros, raíces, rocas, objetos ocultos o abultamientos que puedan provocar que se derrape o se tropiece. El césped alto puede ocultar obstáculos.
3. Siempre esté seguro de su equilibrio. Si tropieza y cae puede lesionarse gravemente. Si siente que pierde el equilibrio, suelte inmediatamente la manija de control de la cuchilla y la cuchilla dejará de girar en tres (3) segundos.

### No haga lo siguiente:

1. No corte el césped cerca de pozos, hundimientos, bancos, podría perder el equilibrio.
2. No pade pendientes mayores de 15 grados como lo indica el medidor de pendientes.
3. No pade el césped húmedo. Si no está firmemente parado, puede resbalarse.

## Niños

Pueden ocurrir accidentes trágicos si el operador no está atento a la presencia de niños. Por lo general a los niños les atraen las podadoras y la actividad de podar el césped. No entienden los riesgos ni los peligros. Nunca dé por sentado que los niños permanecerán en el mismo lugar donde los vio por última vez.

1. Mantenga a los niños fuera del área de trabajo y bajo estricta vigilancia de un adulto responsable además del operador.
2. Esté alerta y apague la podadora si un niño ingresa al área.
3. Antes y mientras se está moviendo hacia atrás, mire hacia atrás y cuide que no haya niños.
4. Tenga extrema precaución cuando se aproxime a esquinas ciegas, entradas de puertas, árboles u otros objetos que puedan obstaculizarle la vista de un niño que pudiese correr hacia la podadora.
5. Mantenga alejados a los niños de los motores en marcha o calientes. Pueden sufrir quemaduras con un silenciador caliente.
6. Nunca permita que niños menores de 14 años operen esta máquina. Los niños mayores de 14 años deben leer y entender las instrucciones de operación y reglas de seguridad contenidas en este manual y deben ser entrenados y supervisados por sus padres.
7. Después de parar el motor, retire Arranque eléctrico pulsar tecla (si lo tiene) y guárdela en un lugar seguro fuera del alcance de los niños.

## Servicio

### Manejo seguro de la gasolina:

1. Para evitar lesiones personales o daños materiales sea sumamente cuidadoso al manipular la gasolina. La gasolina es altamente inflamable y los vapores son explosivos. Se puede lesionar gravemente si derrama gasolina sobre usted o sobre la ropa ya que se puede encender.
2. Utilice sólo recipientes para gasolina autorizados.
3. Nunca llene los contenedores en el interior de un vehículo o camión o caja de camioneta con recubrimientos plásticos. Coloque siempre los recipientes en el piso y lejos del vehículo antes de llenarlos.
4. Retire el equipo a gasolina del camión o remolque y llénelo en el piso. Si esto no es posible, entonces llene dicho equipo en un remolque con un recipiente portátil, en vez de desde un dispensador de gasolina.
5. Mantenga la boquilla de llenado en contacto con el borde de la entrada del tanque de gasolina o contenedor en todo momento hasta que esté lleno. No utilice un dispositivo para abrir/cerrar la boquilla.
6. Apague todos los cigarrillos, cigarras, pipas y otras fuentes de combustión.
7. Nunca cargue combustible en la máquina en interiores porque Los vapores inflamables podrían acumularse en el área.

8. Nunca saque la tapa del gas ni agregue combustible mientras el motor está caliente o en marcha. Deje que el motor se enfríe por lo menos dos minutos antes de volver a cargar combustible.
9. Nunca recargue el tanque de combustible. Llene el tanque no más de 1 pulgada (2,5 cm) por debajo de la base del cuello de llenado para dejar espacio para la expansión del combustible.
10. Vuelva a colocar la tapa de la gasolina y ajústela bien.
11. Limpie la gasolina derramada sobre el motor y el equipo. Traslade la máquina a otra zona. Espere 5 minutos antes de encender el motor.
12. Nunca almacene la máquina o el recipiente de combustible en un espacio cerrado donde haya fuego, chispas o aparatos con piloto como por ejemplo, calentadores de agua, calentadores, hornos, secadores de ropa u otros aparatos a gas.
13. Para reducir el riesgo de incendio mantenga la máquina limpia de pasto, hojas y de acumulación de otros escombros. Limpie los derrames de aceite o combustible y saque todos los desechos embebidos con combustible.
14. Deje que la máquina se enfríe 5 minutos por lo menos antes de almacenarla.

### Funcionamiento general:

1. Nunca encienda un motor en espacios cerrados o en una zona con poca ventilación. El escape del motor contiene monóxido de carbono, un gas inodoro y letal.
2. Antes de limpiar, reparar o inspeccionar la máquina, compruebe que la cuchilla y todas las partes que se mueven se han detenido. Desconecte el cable de la bujía y póngalo de manera que haga masa contra el motor y elimine arranque eléctrico pulsar tecla (si lo tiene) para evitar que se encienda de manera accidental.
3. Revise los pernos de montaje de la cuchilla y del motor a intervalos frecuentes para verificar que estén bien apretados. Inspeccione además visualmente la cuchilla en busca de daños (abolladuras, desgaste, roturas, etc.). Reemplace la cuchilla con equipo original del fabricante (OEM) listado en este manual. "La utilización de partes que no cumplan con las especificaciones de equipos originales podría tener como resultado un rendimiento incorrecto y además la seguridad podría estar comprometida"
4. Las cuchillas de las podadoras son muy afiladas y podrían cortarlo. Envuelva la cuchilla o utilice guantes y extreme precauciones cuando le de servicio.
5. Mantenga todos los pernos, tuercas y tornillos bien ajustados para asegurarse que la máquina se encuentra en condiciones seguras de operación.
6. Nunca manipule los dispositivos de seguridad de manera imprudente. Controle periódicamente que funcionen de forma adecuada.
7. Después de golpear con algún objeto extraño, detenga el motor, desconecte el cable de la bujía y conecte el motor a masa. Inspeccione minuciosamente la máquina para determinar si está dañada. Repare el daño antes de encenderla y operarla.

8. Nunca trate de ajustar una rueda o la altura de corte mientras el motor está en marcha.
9. Los componentes de la tolva para recorte, cubierta de descarga y escudo de riel, están sujetos a desgaste y daños que podría dejar expuestas partes que se mueven o permitir que se arrojen objetos. Para proteger su seguridad, verifique frecuentemente todos los componentes y reemplácelos sólo con partes de los fabricantes de equipos originales (O.E.M.) listadas en este manual. "La utilización de partes que no cumplan con las especificaciones de equipos originales podría tener como resultado un rendimiento incorrecto y además la seguridad podría estar comprometida"
10. No cambie la configuración del regulador del motor ni acelere demasiado el mismo. El regulador controla la velocidad máxima segura de operación del motor.
11. Verifique frecuentemente la línea de combustible, el tanque, el tapón, y los accesorios buscando rajaduras o pérdidas. Reemplace de ser necesario.
12. No dé arranque al motor si no está la bujía de encendido.
13. Mantenga o reemplace las etiquetas de seguridad, según sea necesario.
14. Observe las leyes y normas aplicables para disponer adecuadamente de los desechos. La descarga inapropiada de líquidos o materiales puede dañar el medio ambiente.
15. Según la Comisión de Seguridad de Productos para el Consumidor de los Estados Unidos (CPSC) y la Agencia de Protección Ambiental de los Estados Unidos (EPA), este producto tiene una *vida útil media* de siete (7) años, ó 140 horas de funcionamiento. Al finalizar la *vida útil media*, adquiera una máquina nueva o haga inspeccionar anualmente ésta por un distribuidor de servicio autorizado para cerciorarse de que todos los sistemas mecánicos y de seguridad funcionan correctamente y no tienen excesivo desgaste. Si no lo hace, pueden producirse accidentes, lesiones o muerte.

## No modifique el motor

Para evitar lesiones graves o la muerte, no modifique el motor bajo ninguna circunstancia. Si cambia la configuración del regulador el motor puede descontrolarse y operar a velocidades inseguras. Nunca cambie la configuración de fábrica del regulador del motor.

## Aviso referido a emisiones

Los motores que están certificados y cumplen con las regulaciones de emisiones federales EPA y de California para SORE (Equipos pequeños todo terreno) están certificados para operar con gasolina común sin plomo y pueden incluir los siguientes sistemas de control de emisiones: Modificación de motor (EM) y catalizador de tres vías (TWC) si están equipados de esa manera.

## Guardachispas



**ADVERTENCIA:** Esta máquina está equipada con un motor de combustión interna y no debe ser utilizada en o cerca de un terreno agreste cubierto por bosque, malezas o hierba excepto si el sistema de escape del motor está equipado con un amortiguador de chispas que cumpla con las leyes locales o estatales correspondientes, en caso de haberlas.










Si se utiliza un amortiguador de chispas el operador lo debe mantener en condiciones de uso adecuadas. En el Estado de California las medidas anteriormente mencionadas son exigidas por ley (Artículo 4442 del Código de Recursos Públicos de California). Es posible que existan leyes similares en otros estados. Las leyes federales se aplican en territorios federales.

Puede conseguir el amortiguador de chispas para el silenciador a través de su distribuidor autorizado de motores o poniéndose en contacto con el departamento de servicios, P.O. Box 361131 Cleveland, Ohio 44136-0019. (Servicio válido sólo en E.U.A.)



## Símbolos De Seguridad

Esta página representa y describe la seguridad los símbolos que pueden parecer en este producto. Lea, comprenda, y siga todas instrucciones de la máquina antes de intentar ensamblar y operar.

Símbolo	Descripción
	<b>LEA EL MANUAL(S) DEL OPERADOR</b> Lea, comprenda, y siga todas instrucciones en el manual (manuales) antes de operar el producto.
	<b>PELIGRO— GIRANDO HOJAS</b> Para reducir el riesgo de herida, guarde manos y pies lejos. No haga funcionar a menos que la tapa de descarga o el receptor de hierba estén en su lugar apropiado. De ser dañado, sustituya inmediatamente.
	<b>PELIGRO— ESPECTADORES</b> No siegue cuando los niños o los otros están alrededor.
	<b>PELIGRO— CORTE DE PIE</b> Guarde manos y pies lejos de las cuchillas giratorias.
	<b>PELIGRO— ESCOMBROS LANZADOS</b> Quite objetos que pueden ser lanzados por la lámina en cualquier dirección. Lleve gafas de seguridad.
	<b>PELIGRO— CUESTAS</b> Tenga mucha precaución en pendientes. No siegue cuestas mayores que 15°.
	<b>ADVERTENCIA -INCENDIO</b> Para reducir el riesgo de incendio mantenga la máquina limpia de pasto, hojas y de acumulación de otros escombros.
	<b>ADVERTENCIA VAPORES TÓXICOS</b> Nunca encienda un motor en espacios cerrados o en una zona con poca ventilación. El escape del motor contiene monóxido de carbono, un gas inodoro y letal.
	<b>ADVERTENCIA — SUPERFICIE CALIENTE</b> Las partes del motor, especialmente el silenciador, llega a ser muy caliente durante la operación. Permita que se enfríen el motor y el silenciador antes de tocarlos.



**ADVERTENCIA:** Su responsabilidad—Restrinja el uso de esta máquina motorizada a las personas que lean, comprendan y respeten las advertencias e instrucciones que figuran en este manual y en la máquina.

**GUARDE ESTAS INSTRUCCIONES**



## Pendiente de Calibre

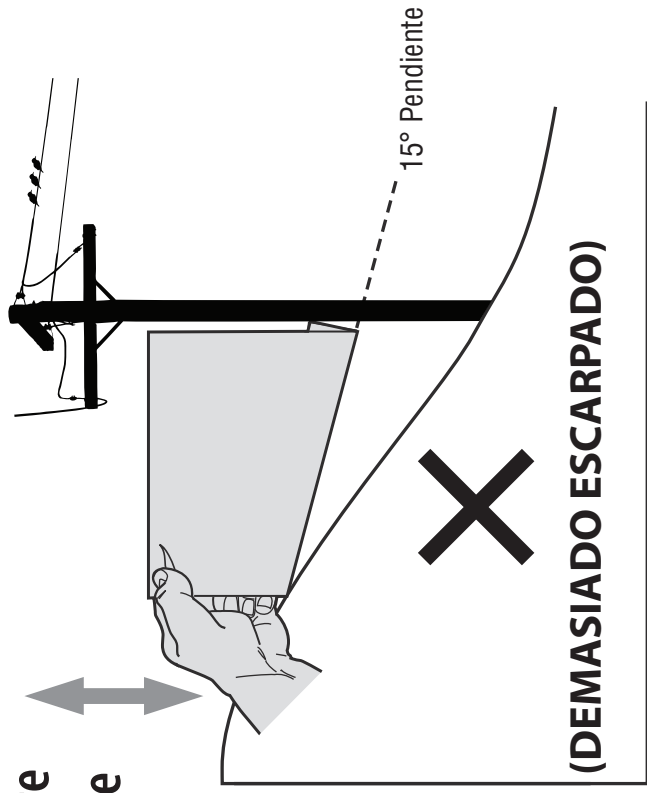


Figura 2

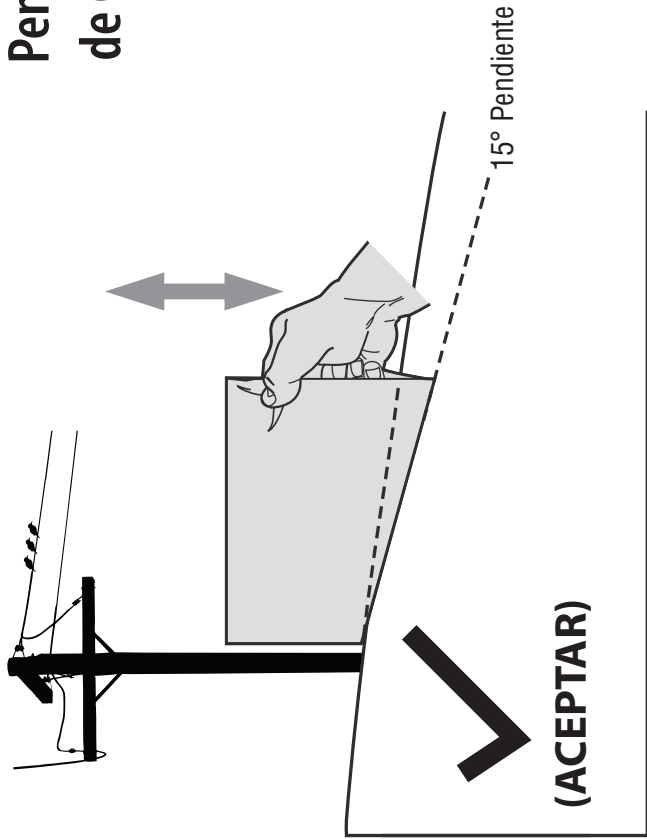
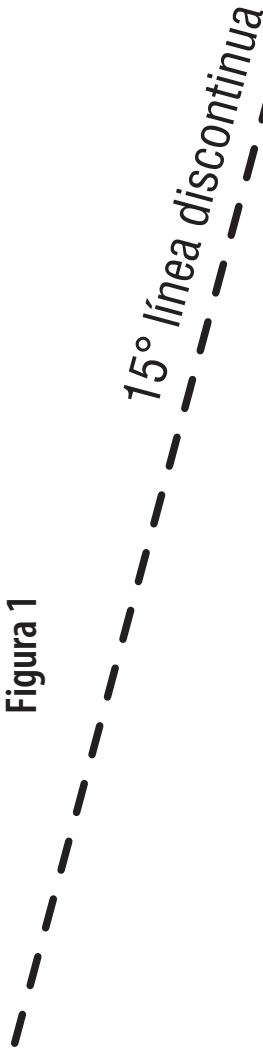


Figura 1



### USO DE ESTE PENDIENTE DE CALIBRE PARA DETERMINAR SI UNA PENDIENTE ES DEMASIADO ESCARPADO PARA UNA OPERACIÓN SEGURA!

Para comprobar la pendiente, haga lo siguiente:

1. Borrar esta página y doble a lo largo de la línea discontinua.
2. Localizar un objeto vertical sobre o detrás de la pendiente (un poste, un edificio, una valla, un árbol, etc.)
3. Alinee cada lado de pendiente de calibre con el objeto vertical (consultar Figura 1 and Figura 2).
4. Ajuste el pendiente de calibre arriba o hacia abajo hasta los toques esquina izquierda el pendiente (consultar Figura 1 and Figura 2).
5. Si hay un espacio por debajo de la pendiente de calibre, el pendiente es demasiado escarpa por operación segura (consultar Figura 2 above).



**ADVERTENCIA!** Las pendientes son un factor importante relacionado con un vuelco y renovación de los accidentes que pueden provocar lesiones graves o la muerte. No utilice la máquina en pendientes de más de 15 grados. Todos pendientes requiere mayor precaución. Si no puede retroceder en la pendiente o si se siente inseguro en ella, no la recorte. Siempre corte el césped en toda la superficie de la cuesta. Nunca arriba y abajo las pendientes.

## Contenido de la caja

- Una Podadora
- Uno Colector de Césped†
- Uno Botella del Aceite
- Uno Manual de Operador
- Uno Manual de Operador de Motor
- Uno Canal de Descarga Lateral†

†De ser equipado

**NOTA:** Tenga en cuenta que este manual del operador abarca tanto los modelos de rueda alta y baja de este cortacésped. Aunque este manual se ilustra el modelo de rueda baja, las instrucciones y las características son igualmente aplicables al modelo de rueda alta, así, a menos que se indique lo contrario.

## Montaje

**NOTA:** Esta unidad se envía sin gasolina ni aceite en el motor. Llène con gasolina y aceite como se indica en las instrucciones que se incluyen en el manual de motor adjunto ANTES de poner en funcionamiento su podadora.

### Manija

1. Retire el colector de césped y material de empaque que pudiera estar entre las manijas superior e inferior.
  - a. Quite los tornillos y tuercas de mariposa transporte desde el mango como se muestra en Figura 3-1. No afloje o quitar adyacentes tornillos de cabeza hexagonal.

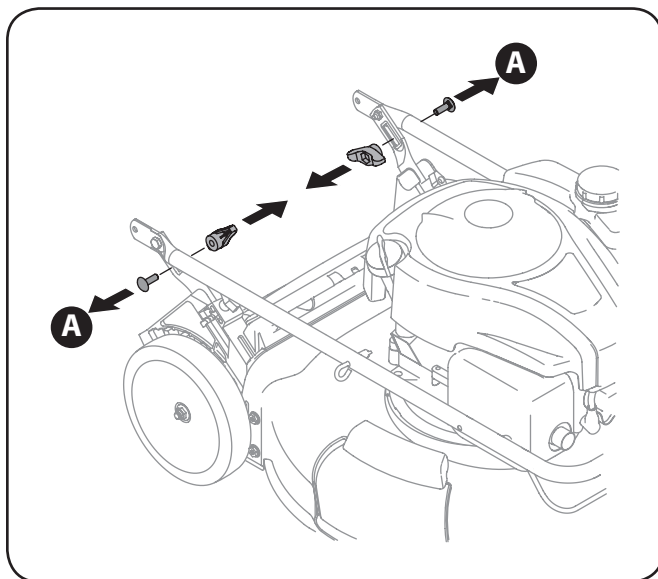


Figura 3-1

- b. Si bien la estabilización de cortacésped por lo que no se mueve, pivote esa superior como se muestra en Figura 3-2. No engarzado cable mientras levanta la palanca hacia arriba.

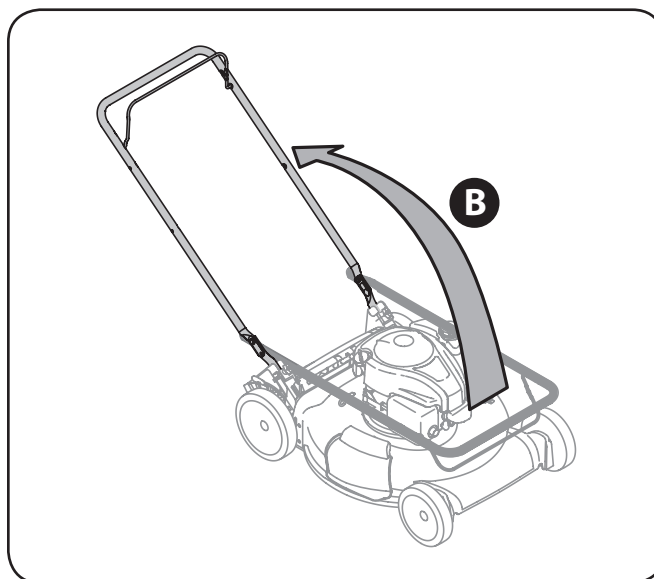


Figura 3-2

2. Retire la T-pernos de la manija entre corchetes como se muestra en Figura 3-3.

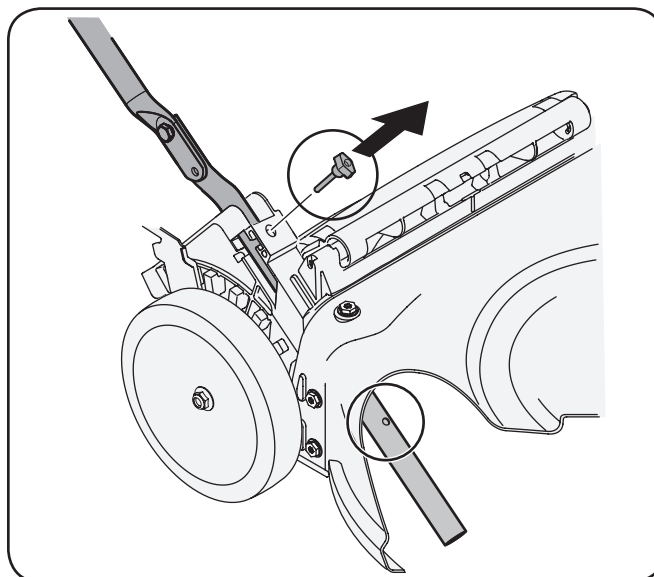
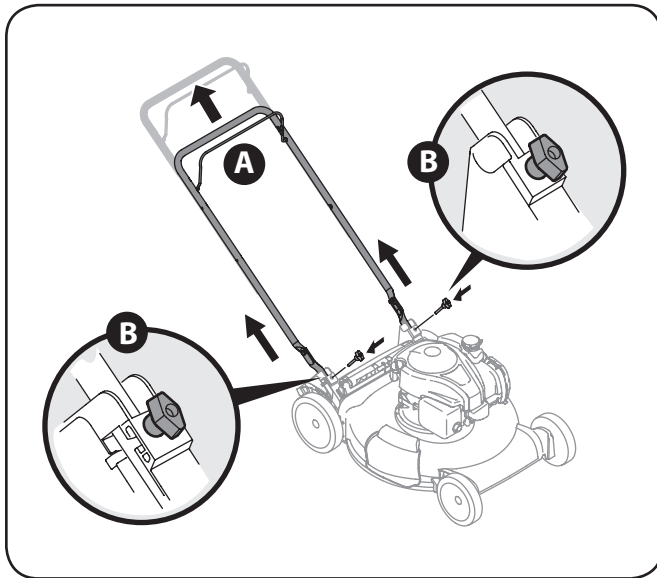


Figura 3-3

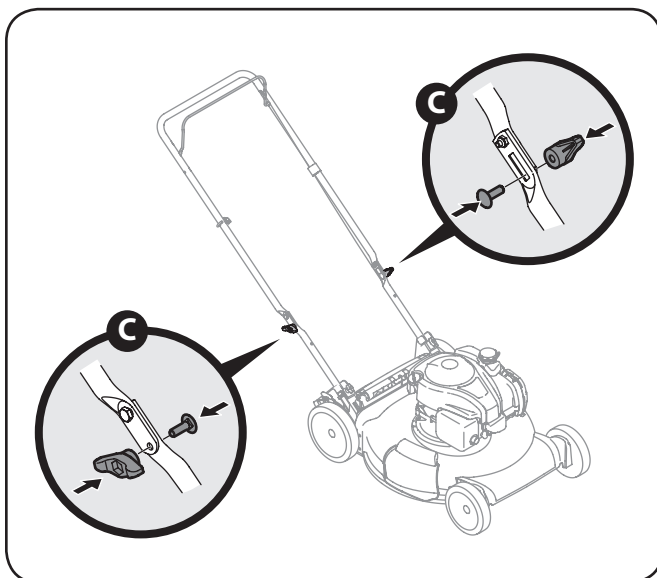
3. Siga los siguientes pasos para completar conjunto del mango:
  - a. Tire hacia arriba en el asa hasta agujeros en la manija (que se muestra en Figura 3-3 corte de la cubierta) se alinean con los agujeros en el mango soporte. Vea Figura 3-4.



**Figura 3-4**

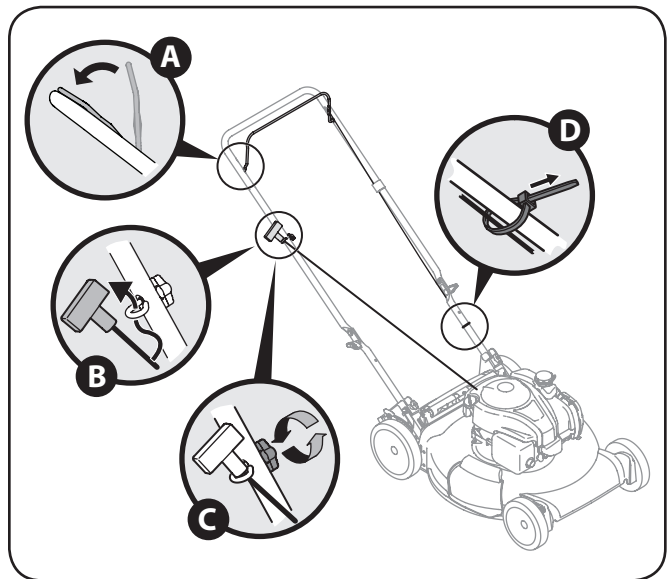
**NOTA:** Al tirar hacia arriba la palanca, asegúrese de que no tire de manejar todo el camino.

- b. Inserte el T-pernos quitó anteriormente a través del mango corchetes y asa inferior y apriete bien para asegurar el mango en su lugar. Vea Figura 3-4.
- c. Vuelva a colocar tuercas y pernos de transporte retirarse antes en una reducción de los agujeros de la manija como se muestra en Figura 3-5.



**Figura 3-5**

4. La guía de la cuerda está unida al costado derecho de la manija superior. Afloje la tuerca de mariposa que sujeta la guía de la cuerda, Figura 3-6.

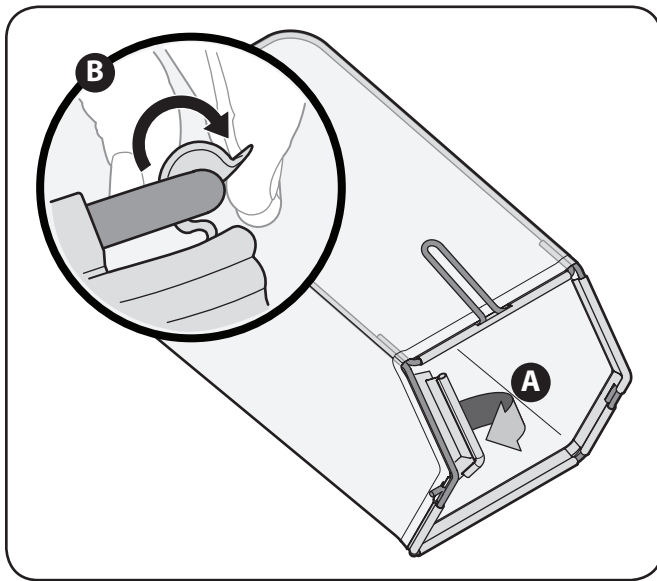


**Figura 3-6**

- a. Sostenga el control de la cuchilla contra la manija superior.
- b. Lentamente tirar de la cuerda que la manilla del motor y deslizar la cuerda de arranque en la guía de la cuerda. Vea Figura 3-6.
- c. Deslice la cuerda de arranque en la guía, y ajuste la tuerca mariposa.
- d. La atadura de cables uso (s) para garantizar cable (s) para bajar de manejar.

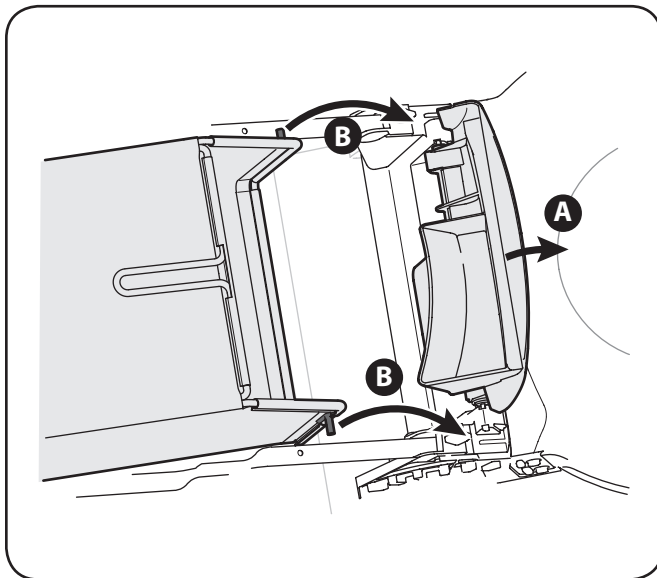
### Colector de Césped (De ser equipado)

1. Para ensamblar el colector de césped (de ser necesario), Haga el cierto bolso es dio vuelta a la derecha el lado antes de reunir (la advertencia de la etiqueta será por fuera).
  - a. Coloque la bolsa sobre el marco con el lado negro de plástico en el fondo.
  - b. Deslice el canal de plástico sobre los ganchos del marco. Vea Figura 3-7.



**Figura 3-7**

2. Para acoplar el colector de césped.
  - a. Levante la puerta de descarga posterior.
  - b. Lugar de colección de césped en las ranuras en el mango entre corchetes como se muestra en Figura 3-8. Suelte la puerta de descarga de modo que descansa sobre el colector de césped.



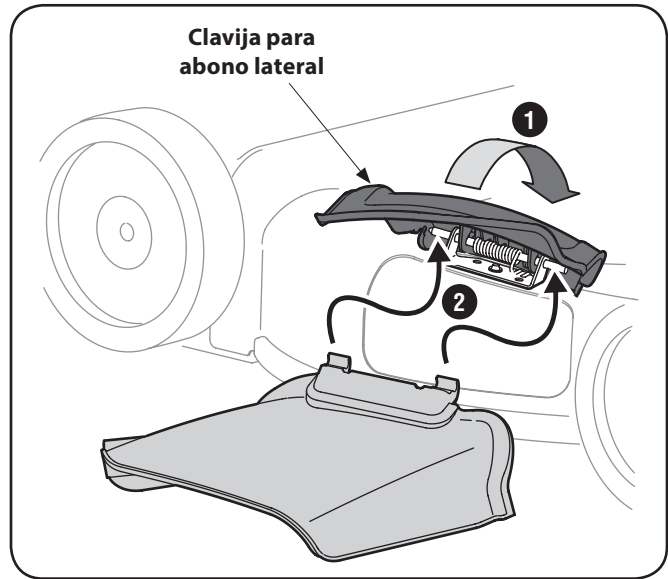
**Figura 3-8**

Para quitar al receptor de hierba, levante la puerta de descarga trasera en el cortacésped. Ascensor césped y fuera de las ranuras en el mango entre paréntesis. El reverso de liberación descarga la puerta para permitir que ello cerrara la apertura trasera del cortacésped.

### Canal de Descarga Lateral (De ser equipado)

Su podadora ha sido enviada como abonadora. Si hace la conversión a descarga lateral, asegúrese de que el colector de césped (de ser equipado) esté fuera de la unidad y que la puerta de descarga trasera (de ser equipado) esté cerrada.

1. En el costado de la podadora, levante el adaptador para abono. Vea Figura 3-9.



**Figura 3-9**

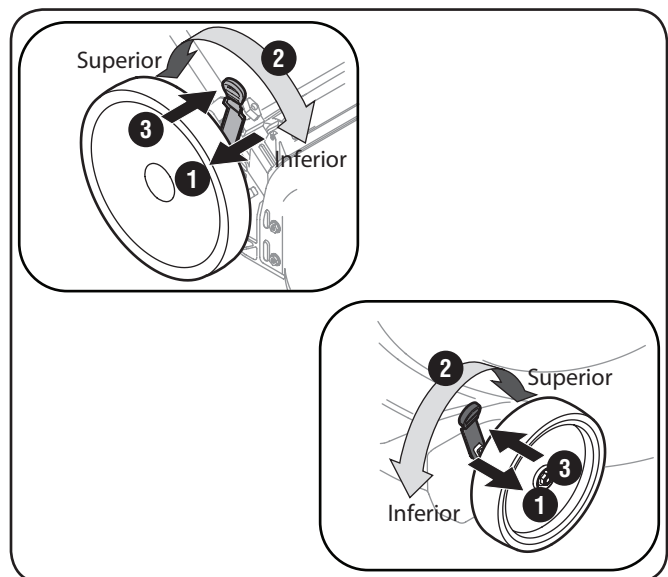
2. Deslice los dos ganchos del canal de descarga lateral debajo del pasador de bisagra sobre el montaje del adaptador para abono. Baje el adaptador para abono. No extraiga la clavija para abono lateral en cualquier momento, aún cuando no esté abonando.

## Ajustes

### Altura de Corte

Hay una palanca de ajuste de altura de corte, situado encima de la rueda delantera derecha y trasera.

**NOTA:** En algunos modelos, el ajustador de altura frontal se encuentra por encima de la rueda delantera izquierda. Consulte la Figura 3-10 a continuación y las instrucciones de la página siguiente.



**Figura 3-10**

1. Presione la palanca hacia la rueda (unidad tenderá a caer cuando se suelta la palanca).
2. Muévela a cualquier de las posiciones para la altura de corte deseado. Vea Figura 3-11 y Figura 3-12.

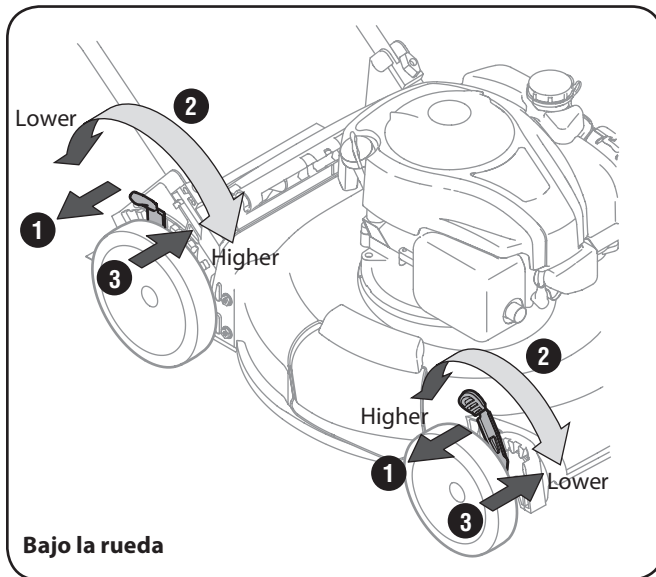


Figura 3-11

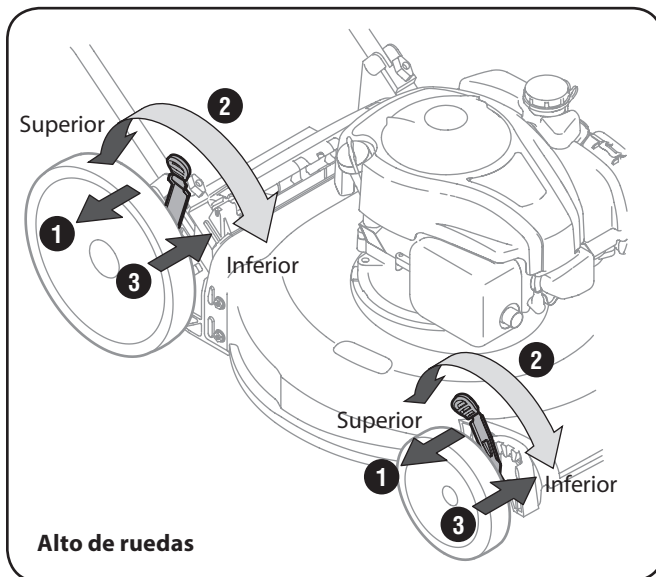


Figura 3-12

**NOTA:** para cortadoras de césped con ruedas de bajo, el ajuste de altura de las palancas se mueven en la dirección opuesta para ajustar, para aquellos con altas ruedas, el movimiento palancas en la misma dirección.

3. Libere la palanca hacia la cubierta de la podadora.

**IMPORTANTE:** Tanto las ruedas delanteras y traseras deben colocarse en la misma posición relativa. Cuando el terreno es agreste o irregular cambie la palanca de ajuste de la altura a una posición más alta. De esta manera se cuida más el césped.

### Inclinación de la manija (De ser equipado)

Por conveniencia de la operación, puede ajustar la inclinación de la manija de la siguiente manera:

1. Quite los tornillos y tuercas de mariposa transporte de manejar. Vea Figura 3-13.

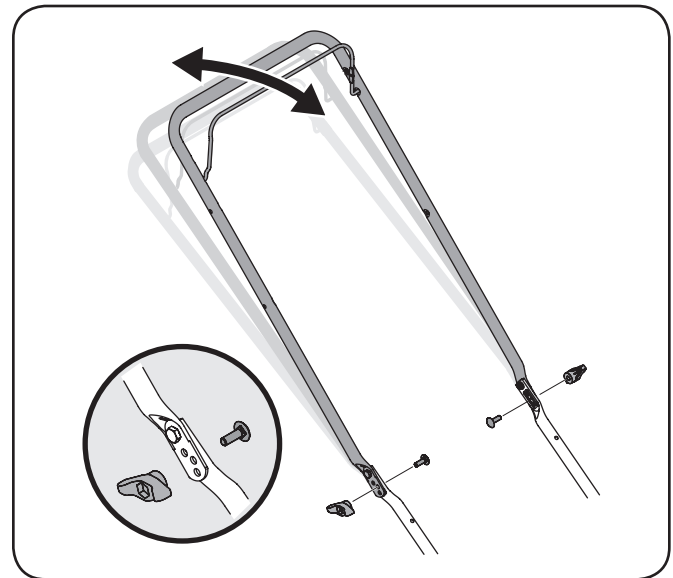


Figura 3-13

2. Coloque el mango en una de las tres posiciones que se sienta más cómodo. Vea Figura 3-13 inserción.
3. Fije la posición con tuercas y pernos de transporte eliminado antes.

### Configuración

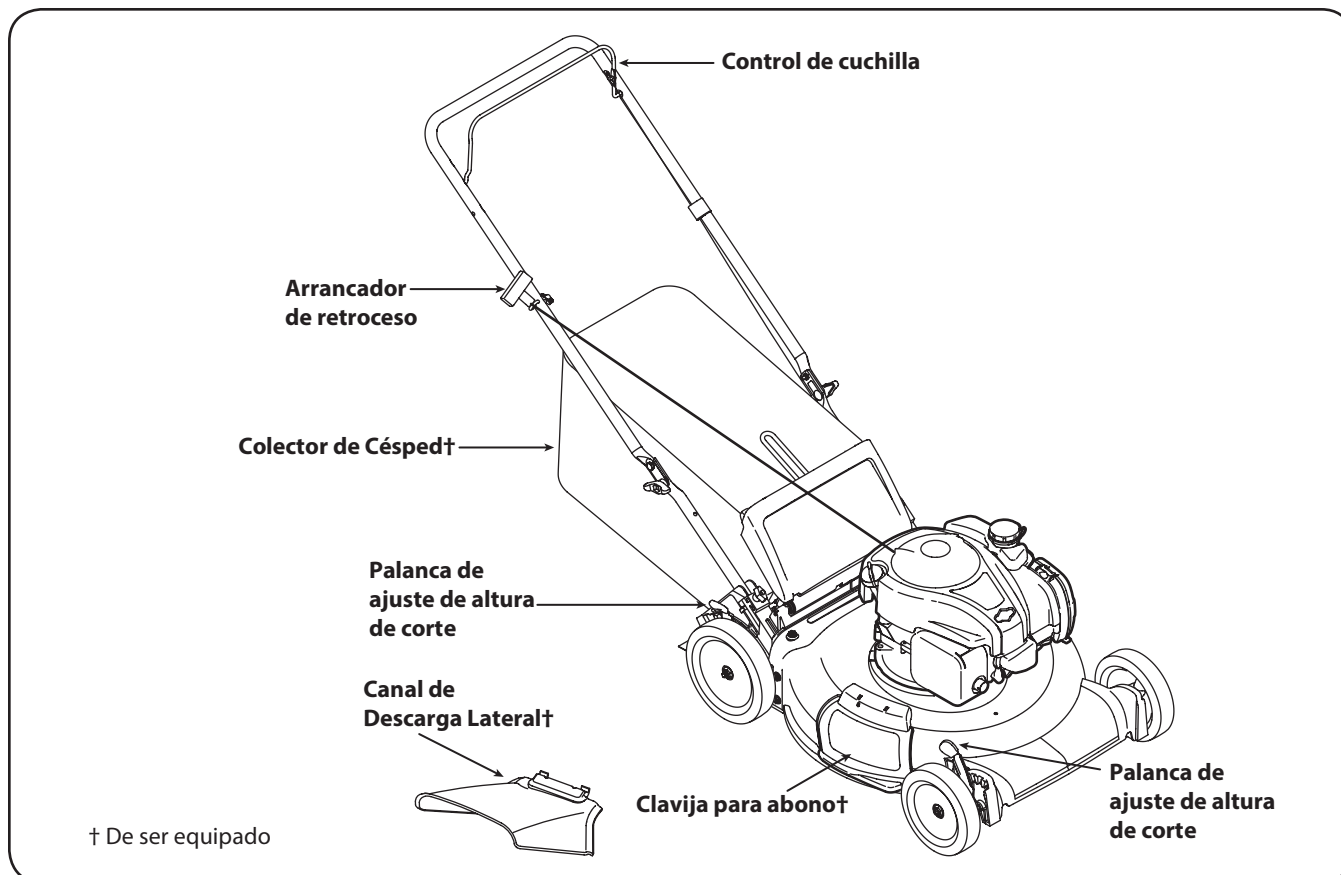
#### Llenado de gasolina y aceite

Refiérase a las instrucciones del manual del motor para la información de motor.

1. Añadir el petróleo proporcionado antes de la unidad inicial por primera vez de la caja.
2. Atender el motor con la gasolina como instruido en el manual del motor.



**ADVERTENCIA:** Tenga extremo cuidado cuando manipule gasolina. La gasolina es altamente inflamable y sus vapores pueden causar explosiones. Nunca agregue combustible a la máquina en interiores o mientras el motor está caliente o en funcionamiento. Apague cigarrillos, cigarros, pipas y otras fuentes de combustión.



## Control de Cuchilla

El control de la cuchilla está unido a la manija superior. Presione la manija de control de la cuchilla contra la manija superior para operar la unidad. Suelte la manija de control de la cuchilla para detener el motor y la cuchilla.



**ADVERTENCIA:** El mecanismo de control de la cuchilla es un dispositivo de seguridad. Nunca intente anular su funcionamiento.

## Palanca de Ajuste de la Altura de Corte

Una palanca de ajuste se encuentra en la rueda trasera derecha y el otro se encuentra en la rueda delantera derecha. Los dos palancas tienen que estar en la misma posición relativa para asegurar un corte uniforme. Para ajustar la altura de corte, se refieren a la sección de "Ensamblado y Configuración".

**NOTA:** En algunos modelos, el ajustador de altura frontal se encuentra por encima de la rueda delantera izquierda.

## Colector de Césped (De ser equipado)

El colector de césped, localizado en el reverso del cortacésped, es usado para empaquetar los recortes de periódico de césped para la disposición en otro sitio. Una vez que el bolso es lleno, tiene que ser quitado del cortacésped y vaciado antes más lejos segar.

## Arrancador de Retroceso

El arrancador de retroceso está unido a la manija superior derecha. Para encender la unidad colóquese detrás de la misma y tire de la cuerda del arrancador de retroceso.

## Clavija Para Abono (De ser equipado)

El adaptador para abono se utiliza únicamente para propósitos de abono. En vez de recolectar los recortes del césped en un colector de césped o canal de descarga lateral, algunos modelos de podadora tienen la opción de recircular los recortes en el césped. Esto se llama abonar.

## Canal de Descarga Lateral (De ser equipado)

Su cortacésped es transportado como un mulcher. Para descargar los recortes de periódico de hierba al lado en cambio, siga las instrucciones en la sección de "Ensamblado y Configuración" para atar el canal de descarga lateral.

## Arranque y Parada del Motor

Consulte el manual del motor incluido con su podadora para obtener instrucciones sobre cómo iniciar y parar el motor.

## Uso de la Podadora de Césped

Asegúrese que el césped está libre de piedras, palos, cables u otros objetos que pudiesen dañar la cortadora o el motor. Dichos objetos pueden ser arrojados accidentalmente por la podadora en cualquier dirección y provocar lesiones personales graves al operador y a otras personas.



**ADVERTENCIA:** Al operar una podadora puede ser que objetos extraños sean arrojados a los ojos, lo cual puede dañarlos gravemente. Utilice siempre gafas de seguridad durante la operación de la podadora o mientras la ajusta o la repara.

## Uso como Abonadora (De Ser Equipado)

Para abonar el césped, quite el canal de descarga lateral (de ser equipado) o el colector de césped (de ser equipado) de la máquina. La puerta de descarga posterior (de ser equipado) deberá estar cerrada. Para un abono eficiente, no corte césped húmedo. Si el césped ha crecido más de 10,2 cm. (4 pulg.) no se recomienda el uso de la podadora como abonadora. En ese caso, use el colector de césped para embolsar los recortes.

## Uso del Colector de Césped (De Ser Equipado)

Puede utilizar el colector de césped para recoger dichos recortes mientras opera la podadora.

1. Acople el colector de césped siguiendo las instrucciones en la sección de Montaje y Configuración. Los recortes de césped se recolectarán automáticamente en la bolsa a medida que pase la podadora. Opere la podadora hasta que la bolsa de recolección esté llena.
2. Detenga el motor por completo soltando la manija de control de la cuchilla. Compruebe que la unidad se haya detenido por completo.
3. Para deshacerse de los recortes de césped levante la puerta de descarga y tire de la bolsa de recolección hacia arriba, apartándola de la podadora.



**ADVERTENCIA:** Si golpea un objeto extraño, detenga el motor. Retire el cable de la bujía, inspeccione la podadora para ver que no tenga daños, y repare el daño antes de reiniciar y operar la podadora. La vibración excesiva de la podadora durante la operación es una indicación de daño. Se debe inspeccionar y reparar la unidad lo antes posible.



## Mantenimiento

### Recomendaciones Generales

- Respete siempre las reglas de seguridad cuando realice tareas de mantenimiento.
- La garantía de esta podadora no cubre elementos que han estado sujetos al mal uso o la negligencia del operador. Para recibir el reembolso total de la garantía, el operador deberá dar mantenimiento a la podadora como se indica en este manual.
- El cambio de la velocidad controlada del motor invalidará la garantía del motor.
- Todos los ajustes deben ser verificados por lo menos una vez en cada estación.
- Revise periódicamente todos los sujetadores y compruebe que estén bien ajustados.



**ADVERTENCIA:** Detenga siempre el motor, deje que el motor se enfríe, desconecte la bujía y haga masa contra el motor antes de realizar cualquier tarea de mantenimiento a su máquina.

### Lubricación

1. Lubrique con aceite ligero los puntos de pivote del control de la cuchilla al menos una vez cada estación. El control de la cuchilla debe funcionar libremente en ambas direcciones, Figura 6-1.

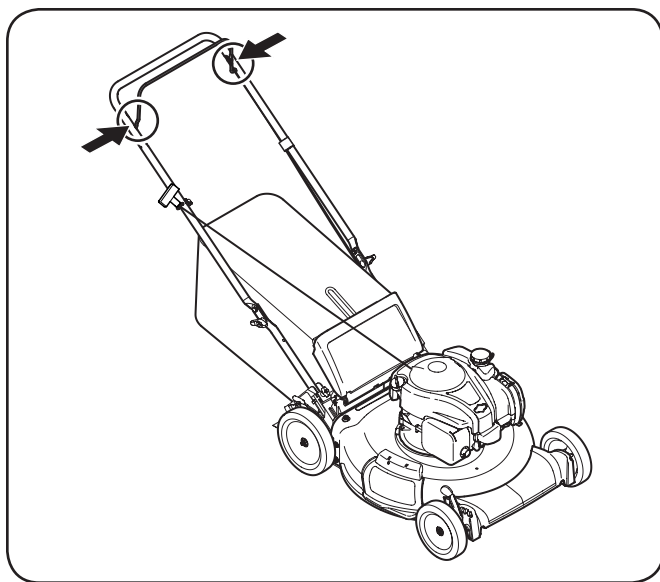


Figura 6-1

2. Siga el manual adjunto del motor para conocer las instrucciones y el programa de lubricación del mismo.

### Cuidado de la cubierta

Debe limpiar la parte inferior de la plataforma de la podadora después de cada uso para prevenir la acumulación de recortes de césped u otros desechos. Siga los pasos que aparecen debajo para realizar esta tarea.

1. Desconecte el cable de la bujía. Drene la gasolina de la podadora o coloque un trozo de plástico debajo del tapón de llenado del combustible.
2. Incline la podadora de manera que quede apoyada sobre la caja. Mantenga hacia arriba el lado donde se encuentra el filtro de aire. Sostenga firmemente la podadora.



**ADVERTENCIA:** Nunca incline la podadora más de 90 grados en ninguna dirección y no deje la podadora inclinada. Se puede filtrar aceite dentro de la parte superior del motor y causar problemas de arranque.

3. Raspe y limpie la parte inferior de la plataforma mediante el uso de una herramienta adecuada.
4. Vuelva a colocar la podadora sobre sus ruedas en el suelo. Si puso un plástico debajo del tapón de llenado de combustible asegúrese de sacarlo en este momento.

### Cuidados para el motor

A continuación se presenta una lista de tareas de mantenimiento necesarias para el buen funcionamiento de la cortadora de césped. Siga el manual adjunto del motor para consultar la lista detallada y las instrucciones.

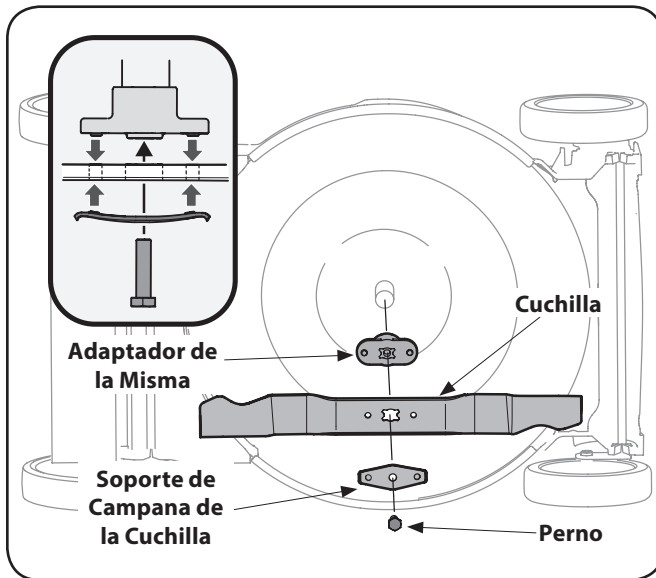
- Verifique el nivel de aceite como se indica en el manual de motor.
- Limpie el filtro de aire cada 25 horas en condiciones normales de uso. Limpie a intervalos de pocas horas cuando haya mucho polvo. Consulte el manual del motor.
- Limpie la bujía y restablezca la distancia disruptiva por lo menos una vez por temporada. Consulte el manual del motor para conocer las especificaciones para el tipo de bujía y la distancia disruptiva correctas.
- Limpie el motor regularmente con un trapo o cepillo. Mantenga limpio el sistema de enfriamiento (área del soplador) para permitir la circulación apropiada de aire. Quite todo el césped, suciedad y residuos combustibles del área del silenciador.
- Motores almacenados entre 30 y 90 días necesitan ser tratados con un estabilizador de gasolina, tales como STA-BIL<sup>®</sup> para prevenir el deterioro y la formación de carbonilla en el sistema de combustible o en partes esenciales del carburador.

## Cuidado de la Cuchilla



**ADVERTENCIA:** Cuando saque la cuchilla de corte para afilarla o reemplazarla, protéjase las manos usando un par de guantes para trabajo rudo o un trapo grueso para sostener la cuchilla. Inspeccione periódicamente el adaptador de la cuchilla en busca de rajaduras, especialmente cuando golpee un objeto extraño. Realice los reemplazos que resulten necesarios. Siga los pasos que aparecen debajo para realizar el mantenimiento de la cuchilla.

1. Desconecte el cable de la bujía. Gire la podadora sobre el costado y compruebe que el filtro de aire y el carburador queden mirando hacia arriba.
2. Saque el perno y el soporte de campana de la cuchilla que sostienen la cuchilla y el adaptador de la misma al cigüeñal del motor, Figura 7-1.



**Figura 7-1**

3. Saque la cuchilla y el adaptador del cigüeñal.
4. Para comprobar el equilibrio, retire la cuchilla y balancee sobre un destornillador de eje redondo. Saque metal del lado pesado hasta que quede bien equilibrada. Cuando afíle la cuchilla, siga el ángulo original de la muela como guía. Afíle cada borde de corte por igual para mantener el balance de la cuchilla.



**ADVERTENCIA:** Si la cuchilla está desequilibrada generará vibraciones excesivas cuando rote a altas velocidades. Esto puede producir daños a la podadora, y se puede romper, causando así lesiones personales.

5. Lubrique el cigüeñal del motor y la superficie interna del adaptador de la cuchilla con aceite ligero. Deslice el adaptador de la cuchilla sobre el cigüeñal del motor. Instale la cuchilla con el lado marcado "Bottom" (inferior) o con el número de parte hacia el piso cuando la podadora está en posición de operación. Asegúrese que la cuchilla quede alineada y asentada en las bridas del adaptador.
6. Coloque el soporte de campana de la cuchilla en la misma. Compruebe que las muescas del soporte de campana de la cuchilla estén alineadas con los orificios pequeños de la cuchilla.
7. Vuelva a colocar el perno hexagonal y ajústelo según Los siguientes valores de torsión: 450 lb-pulg como mínimo, 600 lb-pulg como máximo.

Para asegurar la operación segura de la podadora revise periódicamente el perno de la cuchilla para determinar si está bien ajustado.

## Almacenamiento Fuera de Temporada

Se deben seguir estos pasos para la preparación de la podadora para su almacenamiento.

- Limpie y lubrique la podadora como se describe en Las instrucciones de lubricación.
- Consulte el manual del motor para conocer las instrucciones para el almacenamiento correcto del mismo.
- Cubra la cuchilla con grasa para chasis para impedir la oxidación.
- Almacene la unidad en una zona limpia y seca. No la almacene cerca de materiales corrosivos como por ejemplo fertilizantes.

Cuando almacene cualquier tipo de equipo motorizado en un galpón de depósito metálico o con poca ventilación, tenga especial cuidado de realizarle un tratamiento antioxidante al equipo. Use aceite ligero o silicona para recubrir el equipo, especialmente los cables y partes móviles de su podadora antes de almacenarla.

Problema	Causa	Remedio
El motor no arranca	<ol style="list-style-type: none"> <li>1. El control de lámina se retiró.</li> <li>2. Alambre de bujía desconectado.</li> <li>3. Depósito de combustible combustible vacío o añejo.</li> <li>4. ESTÁRTER no activado. (De ser equipado)</li> <li>5. Bujía defectuosa.</li> <li>6. Línea de combustible bloqueada.</li> <li>7. El motor se desbordó.</li> <li>8. La válvula de combustible se cerró. (De ser equipado)</li> <li>9. El motor no está cebado. (De ser equipado)</li> </ol>	<ol style="list-style-type: none"> <li>1. Contratar el control de lámina.</li> <li>2. Unir el alambre a la bujía.</li> <li>3. Llenar el tanque de la gasolina limpia, fresca.</li> <li>4. Ahogue el motor (ver la sección de Funcionamiento).</li> <li>5. Limpio, ajuste el hueco, o sustituir.</li> <li>6. Línea de combustible limpia.</li> <li>7. Esperar unos minutos para reactivarse.</li> <li>8. Válvula de combustible abierta. Ver el manual de motor.</li> <li>9. Ceba el motor tal como se explica en la sección de Funcionamiento.</li> </ol>
El motor funciona de manera errática	<ol style="list-style-type: none"> <li>1. El cable de la bujía está flojo.</li> <li>2. La línea del combustible está tapada o el combustible es viejo.</li> <li>3. La ventilación en la tapa del combustible está obstruida.</li> <li>4. Agua o suciedad en el sistema del combustible.</li> <li>5. El filtro de aire está sucio.</li> <li>6. La unidad que corre con el ESTÁRTER (De ser equipado) se aplicó.</li> </ol>	<ol style="list-style-type: none"> <li>1. Conecte y ajuste el cable de la bujía.</li> <li>2. Limpie la línea del combustible; llene el tanque con gasolina limpia y fresca</li> <li>3. Destape la ventilación.</li> <li>4. Vacíe el tanque del combustible. Vuelva a llenarlo con combustible limpio.</li> <li>5. Refiérase a la sección de mantenimiento de motor.</li> <li>6. Perilla de ESTÁRTER de empuje en.</li> </ol>
El motor recalienta	<ol style="list-style-type: none"> <li>1. El nivel de aceite del motor es bajo.</li> <li>2. Flujo de aire restringido.</li> </ol>	<ol style="list-style-type: none"> <li>1. Llene el cárter con aceite adecuado.</li> <li>2. Retire el alojamiento del soplador y límpielo.</li> </ol>
Salto ocasionales (pausas) a alta velocidad	<ol style="list-style-type: none"> <li>1. La distancia disruptiva de la bujía es muy pequeña.</li> </ol>	<ol style="list-style-type: none"> <li>1. Ajuste la bujía. Consulte el manual del motor.</li> </ol>
Funciona mal en marcha lenta	<ol style="list-style-type: none"> <li>1. Bujía atorada, averiada o exceso de distancia disruptiva.</li> <li>2. El filtro de aire está sucio.</li> </ol>	<ol style="list-style-type: none"> <li>1. Reajuste la distancia disruptiva a 0,76mm (0,03) o reemplace la bujía.</li> <li>2. Refiérase a la sección de mantenimiento de motor.</li> </ol>
Demasiada vibración	<ol style="list-style-type: none"> <li>1. Cuchilla floja o desequilibrada.</li> <li>2. Cuchilla abollada.</li> </ol>	<ol style="list-style-type: none"> <li>1. Apriete la cuchilla y el adaptador. Equilibre la cuchilla.</li> <li>2. Consulte a un distribuidor autorizado.</li> </ol>

Seguido después paginan

Problema	Causa	Remedio
La podadora no abona el césped †	<ol style="list-style-type: none"> <li>1. Césped húmedo.</li> <li>2. Césped excesivamente alto.</li> <li>3. La cuchilla de la cortadora no está afilada.</li> </ol>	<ol style="list-style-type: none"> <li>1. No corte el césped cuando está mojado, espere hasta que sea más tarde para hacerlo.</li> <li>2. Pude una vez a una altura de corte elevada y luego vuelva a realizar el corte a la altura deseada, o siga una ruta de corte más estrecha.</li> <li>3. Afile o cambie la cuchilla.</li> </ol>
Corte desigual	<ol style="list-style-type: none"> <li>1. La posición de las ruedas no es correcta.</li> <li>2. La cuchilla de la cortadora no está afilada.</li> </ol>	<ol style="list-style-type: none"> <li>1. Coloque las ruedas delantera y trasera en la posición de la misma altura. (Dual ajustadores de altura de palanca solamente)</li> <li>2. Afile o cambie la cuchilla.</li> </ol>

† De Ser Equipado





Lined writing area consisting of 20 horizontal lines.



# GARANTÍA LIMITADA DEL FABRICANTE

La siguiente garantía limitada es otorgada por MTD LLC con respecto a nuevos productos adquiridos y utilizados en Estados Unidos y/o sus territorios y posesiones, y por MTD Products Limited con respecto a nuevos productos adquiridos y utilizados en Canadá y/o sus territorios y posesiones (cualquiera de las dos entidades, respectivamente, "MTD").

Esta garantía es adicional a la garantía de emisiones aplicables proporcionada con el producto.

"MTD" garantiza este producto (excluidas *las Piezas y Accesorios con Desgaste Normal según se describe más abajo*) contra defectos en los materiales y mano de obra por un período de dos (2) años a partir de la fecha de compra original y, a su opción, reparará o reemplazará, sin costo alguno, cualquier pieza que presente defectos en los materiales o de mano de obra. Esta garantía limitada sólo se aplicará si el producto ha sido operado y mantenido de acuerdo con las instrucciones del Manual del Operador que se proporciona con el producto y no ha sido objeto de uso inapropiado, abuso, uso comercial, abandono, accidente, mantenimiento incorrecto, alteración, vandalismo, robo, incendio, inundación o algún daño debido a otro peligro o desastre natural. El daño resultante por la instalación o el uso de piezas, accesorios o aditamentos no aprobados por MTD para su uso con el(los) producto(s) incluido(s) en este manual anulará la garantía en lo que respecta a esos daños.

Se garantiza que *las Piezas con Desgaste Normal* están libres de defectos en los materiales y mano de obra por un período de treinta (30) días a partir de la fecha de compra. Las piezas sujetas a desgaste normal incluyen pero no se limitan a: baterías, correas, cuchillas, adaptadores para cuchillas, dientes, bolsas para pasto, ruedas, ruedas para la plataforma de la podadora tractor, asientos, zapatas antideslizantes, ruedas de fricción, placas de raspado, gomas helicoidales y neumáticos.

**Accesorios** — MTD garantiza que los accesorios de este producto están libres de defectos de material y mano de obra durante un período de un (1) año a partir de la fecha de compra o arrendamiento original del accesorio. Los accesorios incluyen, pero no se limitan a: colectores de césped y kits para abono.

**CÓMO SOLICITAR Y OBTENER SERVICIO TÉCNICO:** El servicio de la garantía está disponible, CON COMPROBANTE DE COMPRA, a través de su distribuidor local de servicio autorizado. Para localizar el distribuidor en su área:

## **En Estados Unidos de América**

Consulte las páginas amarillas, o póngase en contacto con MTD LLC en P.O. Box 361131, Cleveland, Ohio 44136-0019, llame al 1-800-800-7310, o visite nuestro sitio web en [www.mtdproducts.com](http://www.mtdproducts.com).

## **En Canadá**

Contacte MTD Products Limited, Kitchener, ON N2G 4J1, llame al 1-800-668-1238 o visite nuestro sitio web en [www.mtdcanada.com](http://www.mtdcanada.com).

Esta garantía limitada **no** ofrece cobertura en los siguientes casos:

- El motor o las piezas que lo componen. Estos productos pueden tener garantía del fabricante por separado. Consulte los términos y condiciones de la garantía aplicable del fabricante.
- Las bombas rompetroncos, válvulas y cilindros tienen una garantía separada de un año.

- Los artículos necesarios para el mantenimiento de rutina como por ejemplo lubricantes, filtros, afiladores de cuchillas, sincronización del motor, los ajustes de los frenos, del embrague o de la plataforma y el deterioro normal del acabado exterior debido al uso o exposición.
- Mantenimiento no realizado por el distribuidor de servicio autorizado.
- MTD no extiende ninguna garantía para los productos vendidos o exportados fuera de los Estados Unidos de América y/o Canadá, y sus respectivas posesiones y territorios, excepto para aquellos vendidos a través de los canales autorizados de distribución de exportaciones de MTD.
- Piezas de reemplazo que no son piezas originales de MTD.
- Gastos de transporte y por visitas técnicas.
- MTD no garantiza este producto para uso comercial.

**No se aplican garantías implícitas, incluidas las garantías implícitas de comerciabilidad o de adecuación para un propósito determinado, después del período de aplicación de la garantía escrita expresa extendida más arriba para las piezas de acuerdo con su identificación. Ninguna otra garantía expresa, ni oral ni escrita, excepto la mencionada anteriormente, extendida por personas reales o jurídicas, incluidos los distribuidores o los minoristas con respecto a cualquier producto, obligará a MTD. Durante el plazo de la garantía el único recurso es la reparación o reemplazo del producto como se indicó anteriormente.**

**Las disposiciones incluidas en esta garantía proveen el recurso único y exclusivo que surge de las ventas. MTD no se hará responsable de ninguna pérdida o daño incidental o resultante, incluyendo sin limitación, los gastos incurridos para los servicios de mantenimiento del pasto, o los gastos de arrendamiento para reemplazar de manera transitoria un producto bajo garantía.**

Algunos estados no permiten la exclusión o limitación de los daños y perjuicios incidentales o directos, o las limitaciones sobre la duración de las garantías implícitas, por lo que las exclusiones o limitaciones mencionadas anteriormente pueden no serle de aplicación.

En ningún caso se obtendrá una compensación mayor al monto del precio de compra del producto vendido. **La alteración de las características de seguridad del producto anulará esta garantía.** Usted asume el riesgo y la responsabilidad de las pérdidas, daños o lesiones que sufran usted y sus bienes y / o otras personas y sus bienes como resultado del uso incorrecto o de la falta de capacidad para usar este producto.

Esta garantía limitada alcanza solamente al comprador original, o a la persona que recibió el producto de regalo.

**CÓMO SE RELACIONA LA LEGISLACIÓN ESTATAL CON ESTA GARANTÍA:** Esta garantía limitada le otorga derechos legales específicos y usted también puede tener otros derechos que varían de un estado a otro.

**IMPORTANTE:** El propietario debe presentar el Comprobante de compra original para obtener la cobertura de la garantía.

**MTD LLC, P.O. BOX 361131 CLEVELAND, OHIO 44136-0019, Teléfono: 1-800-800-7310**  
**MTD Canada Limited - KITCHENER, ON N2G 4J1; teléfono 1-800-668-1238**